

"THE MATERIAL HEREIN IS FOR INFORMATION PURPOSES ONLY AND IS SUBJECT TO CHANGE WITHOUT NOTICE. DIGITAL EQUIPMENT CORPORATION ASSUMES NO RESPONSIBILITY FOR ANY ERRORS WHICH MAY APPEAR HEREIN."

FIELD MAINTENANCE PRINT SET

"THIS DRAWING AND SPECIFICATIONS, HEREIN, ARE THE PROPERTY OF DIGITAL EQUIPMENT CORPORATION AND SHALL NOT BE REPRODUCED OR COPIED OR USED IN WHOLE OR IN PART AS THE BASIS FOR THE MANUFACTURE OR SALE OF ITEMS WITHOUT WRITTEN PERMISSION. COPYRIGHT • 1982, DIGITAL EQUIPMENT CORPORATION."

TABLE OF CONTENTS

DWG. NUMBER	DESCRIPTION
D-UA-RA81-0-0	RA81 SHIP CONFIGURATION
K-PL-RA81-0-DBP	RA81 SHIP CONFIGURATION
D-AD-7019062-0-0	DISK DRIVE ASSEMBLY
K-PL-7019062-0-DBP	DISK DRIVE ASSEMBLY
D-AD-7018446-0-0	BASIC DISK DRIVE ASSEMBLY
K-PL-7018446-0-DBP	BASIC DISK DRIVE ASSEMBLY
C-AD-7019044-0-0	HDA R/W MODULE ASSEMBLY
K-PL-7019044-0-DBP	HDA R/W MODULE ASSEMBLY
D-UA-H7660-0-0	UNIT ASSEMBLY H7660
K-PL-H7660-0-DBP	UNIT ASSEMBLY H7660
E-IC-H7660-0-2	R81 POWER SUPPLY WIRING DIAGRAM
E-UA-5414668-0-0	CONNECTOR BOARD
K-PL-5414668-0-DBP	CONNECTOR BOARD
D-CS-5414668-0-1	CONNECTOR BOARD
D-UA-5415096-0-0	REGULATOR BD H7660
K-PL-5415096-0-DBP	REGULATOR BD H7660
D-CS-5415096-0-2	REGULATOR BD H7660
E-UA-5415094-0-0	H7660 CAPACITOR BOARD
K-PL-5415094-0-DBP	H7660 CAPACITOR BOARD
D-CS-5415094-0-1	H7660 CAPACITOR BOARD
D-AD-7016773-0-0	LOGIC CHASSIS ASSEMBLY
K-PL-7016773-0-DBP	LOGIC CHASSIS ASSEMBLY
D-AD-7016741-0-0	LCWER CHASSIS ASSEMBLY
K-PL-7016741-0-DBP	LOWER CHASSIS ASSEMBLY
E-UA-5415247-0-0	R81 MICROPROCESSOR
K-PL-5415247-0-DBP	R81 MICROPROCESSOR
D-CS-5415247-0-1	MICROPROCESSOR
D-AD-7018324-0-0	OPERATOR CONTROL PANEL ASSEMBLY
K-PL-7018324-0-DBP	OPERATOR CONTROL PANEL ASSEMBLY
D-UA-5414927-0-0	RA80 OPERATOR CONTROL PANEL
K-PL-5414927-0-DBP	OPERATOR CONTROL PANEL

UNIT VARIATIONS COVERED BY THIS PRINT SET	
RA81	-AA
RA81	-AD
RA81	-AE
RA81	-AJ
RA81	-CA
RA81	-CD
RA81	-CE
RA81	-CJ
RA81	-DA
RA81	-DD
RA81	-DE
RA81	-DJ
RA81	-EA
RA81	-ED
RA81	-EE
RA81	-EJ

RA81
Field Maintenance Print Set

Digital Equipment Corporation

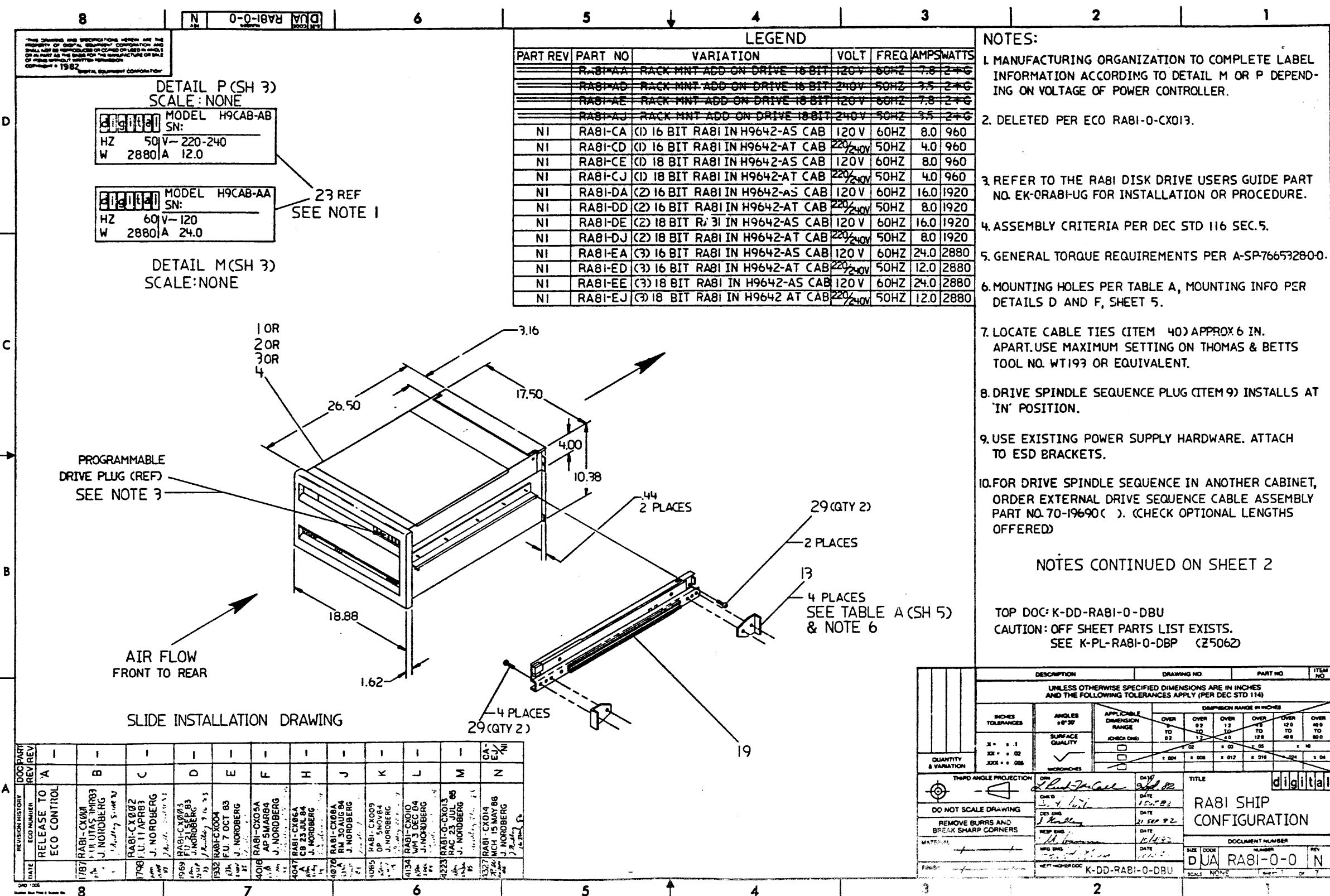
Print Set Part Number **MP-Ø1359**

REVISION HISTORY		DRN.	DATE	TITLE	REV.
DATE	ECO NUMBER	<i>A Davis, J</i>	20 OCT 82	digital	A
	RELEASED TO ECO CONTROL AT REV A	CHK'D. <i>A Davis, J</i>	27 OCT 82		RA81 SHIP CONFIGURATION
		DES. ENG. <i>J. Woodley</i>	26 OCT 82		DOCUMENT NUMBER
		RESP. ENG. <i>J. Woodley</i>	26 OCT 82		SIZE CODE NUMBER REV.
		FIELD SERVICE <i>D. Wath</i>	26 OCT 82		B TC RA81-Ø-1 A
		NEXT HIGHER DOC. <i>—————</i>			SHEET 1 OF 2

REV A
B TC RA81-Ø-1

"THIS DRAWING AND SPECIFICATIONS, HEREIN, ARE THE PROPERTY OF DIGITAL EQUIPMENT CORPORATION AND SHALL NOT BE REPRODUCED OR COPIED OR USED IN WHOLE OR IN PART AS THE BASIS FOR THE MANUFACTURE OR SALE OF ITEMS WITHOUT WRITTEN PERMISSION. 1982. COPYRIGHT © DIGITAL EQUIPMENT CORPORATION"

DWG. NUMBER	DESCRIPTION
D-CS-5414927-0-1	RA80 OPERATOR CONTROL PANEL
D-CS-5414927-0-2	RA80 OPERATOR CONTROL PANEL
D-AD-7019045-0-0	SERVO BOARD AND STIFFENER ASSEMBLY
K-PL-7019045-0-DBP	SERVO BOARD AND STIFFENER ASSEMBLY
E-UA-5415251-0-0	SERVO CONTROL
K-PL-5415251-0-DBP	SERVO CONTROL
D-CS-5415251-0-1	SERVO CONTROL
E-UA-5415253-0-0	READ/WRITE
K-PL-5415253-0-DBP	READ/WRITE
D-CS-5415253-0-1	READ/WRITE
D-BD-5415253-0-2	READ/WRITE
D-UA-5415288-0-0	HDA PCB 4
K-PL-5415288-0-DBP	HDA PCB 4
D-CS-5415288-0-1	HDA PCB 4
D-AD-7019046-0-0	PERSONALITY BOARD AND STIFFENER ASSEMBLY
K-PL-7019046-0-DBP	PERSONALITY BOARD AND STIFFENER ASSEMBLY
D-UA-5415249-0-0	RA81 PERSONALITY BOARD
K-PL-5415249-0-DBP	RA81 PERSONALITY BOARD
D-CS-5415249-0-1	PERSONALITY BOARD
D-IA-7020022-0-0	HHT CABLE
K-PL-7020022-0-DBP	HHT CABLE



PART REV	PART NO	VARIATION	VOLT	FREQ	AMPS	WATTS
	RAB1-AA	RACK MNT ADD ON DRIVE 18 BIT	120V	60HZ	7.8	246
	RAB1-AD	RACK MNT ADD ON DRIVE 18 BIT	240V	50HZ	7.5	246
	RAB1-AE	RACK MNT ADD ON DRIVE 18 BIT	120V	60HZ	7.8	246
	RAB1-AJ	RACK MNT ADD ON DRIVE 18 BIT	240V	50HZ	7.5	246
NI	RAB1-CA	(1) 16 BIT RAB1 IN H9642-AS CAB	120V	60HZ	8.0	960
NI	RAB1-CD	(1) 16 BIT RAB1 IN H9642-AT CAB	240V	50HZ	4.0	960
NI	RAB1-CE	(1) 18 BIT RAB1 IN H9642-AS CAB	120V	60HZ	8.0	960
NI	RAB1-CJ	(1) 18 BIT RAB1 IN H9642-AT CAB	240V	50HZ	4.0	960
NI	RAB1-DA	(2) 16 BIT RAB1 IN H9642-AS CAB	120V	60HZ	16.0	1920
NI	RAB1-DD	(2) 16 BIT RAB1 IN H9642-AT CAB	240V	50HZ	8.0	1920
NI	RAB1-DE	(2) 18 BIT RAB1 IN H9642-AS CAB	120V	60HZ	16.0	1920
NI	RAB1-DJ	(2) 18 BIT RAB1 IN H9642-AT CAB	240V	50HZ	8.0	1920
NI	RAB1-EA	(3) 16 BIT RAB1 IN H9642-AS CAB	120V	60HZ	24.0	2880
NI	RAB1-ED	(3) 16 BIT RAB1 IN H9642-AT CAB	240V	50HZ	12.0	2880
NI	RAB1-EE	(3) 18 BIT RAB1 IN H9642-AS CAB	120V	60HZ	24.0	2880
NI	RAB1-EJ	(3) 18 BIT RAB1 IN H9642 AT CAB	240V	50HZ	12.0	2880

LEGEND

NOTES:

1. MANUFACTURING ORGANIZATION TO COMPLETE LABEL INFORMATION ACCORDING TO DETAIL M OR P DEPENDING ON VOLTAGE OF POWER CONTROLLER.
2. DELETED PER ECO RAB1-0-CX013.
3. REFER TO THE RAB1 DISK DRIVE USERS GUIDE PART NO. EK-ORAB1-UG FOR INSTALLATION OR PROCEDURE.
4. ASSEMBLY CRITERIA PER DEC STD 116 SEC. 5.
5. GENERAL TORQUE REQUIREMENTS PER A-SP-76653280-0.
6. MOUNTING HOLES PER TABLE A, MOUNTING INFO PER DETAILS D AND F, SHEET 5.
7. LOCATE CABLE TIES (ITEM 40) APPROX 6 IN. APART. USE MAXIMUM SETTING ON THOMAS & BETTS TOOL NO. WT193 OR EQUIVALENT.
8. DRIVE SPINDLE SEQUENCE PLUG (ITEM 9) INSTALLS AT 'IN' POSITION.
9. USE EXISTING POWER SUPPLY HARDWARE. ATTACH TO ESD BRACKETS.
10. FOR DRIVE SPINDLE SEQUENCE IN ANOTHER CABINET, ORDER EXTERNAL DRIVE SEQUENCE CABLE ASSEMBLY PART NO. 70-19690 (). (CHECK OPTIONAL LENGTHS OFFERED)

NOTES CONTINUED ON SHEET 2

TOP DOC: K-DD-RAB1-0-DBU
CAUTION: OFF SHEET PARTS LIST EXISTS.
SEE K-PL-RAB1-0-DBP (Z5062)

DESCRIPTION	DRAWING NO	PART NO	ITEM NO
UNLESS OTHERWISE SPECIFIED DIMENSIONS ARE IN INCHES AND THE FOLLOWING TOLERANCES APPLY (PER DEC STD 114)			
INCHES TOLERANCES	ANGLES ± 1° 30'	APPLICABLE DIMENSION RANGE	
± .1		OVER 12	OVER 12
± .02		TO .02	TO .02
± .008		± .008	± .008
QUANTITY & VARIATION	SURFACE QUALITY	DIMENSION RANGE IN INCHES	
	✓	OVER 12	OVER 12
		TO .02	TO .02
		± .008	± .008
THIRD ANGLE PROJECTION			
DO NOT SCALE DRAWING			
REMOVE BURRS AND BREAK SHARP CORNERS			
MATERIAL			
FINISH			
TITLE: RAB1 SHIP CONFIGURATION			
DOCUMENT NUMBER: DUA RAB1-0-0			
SCALE: NONE			

D-UA-RAB1-0-0

1 of 7

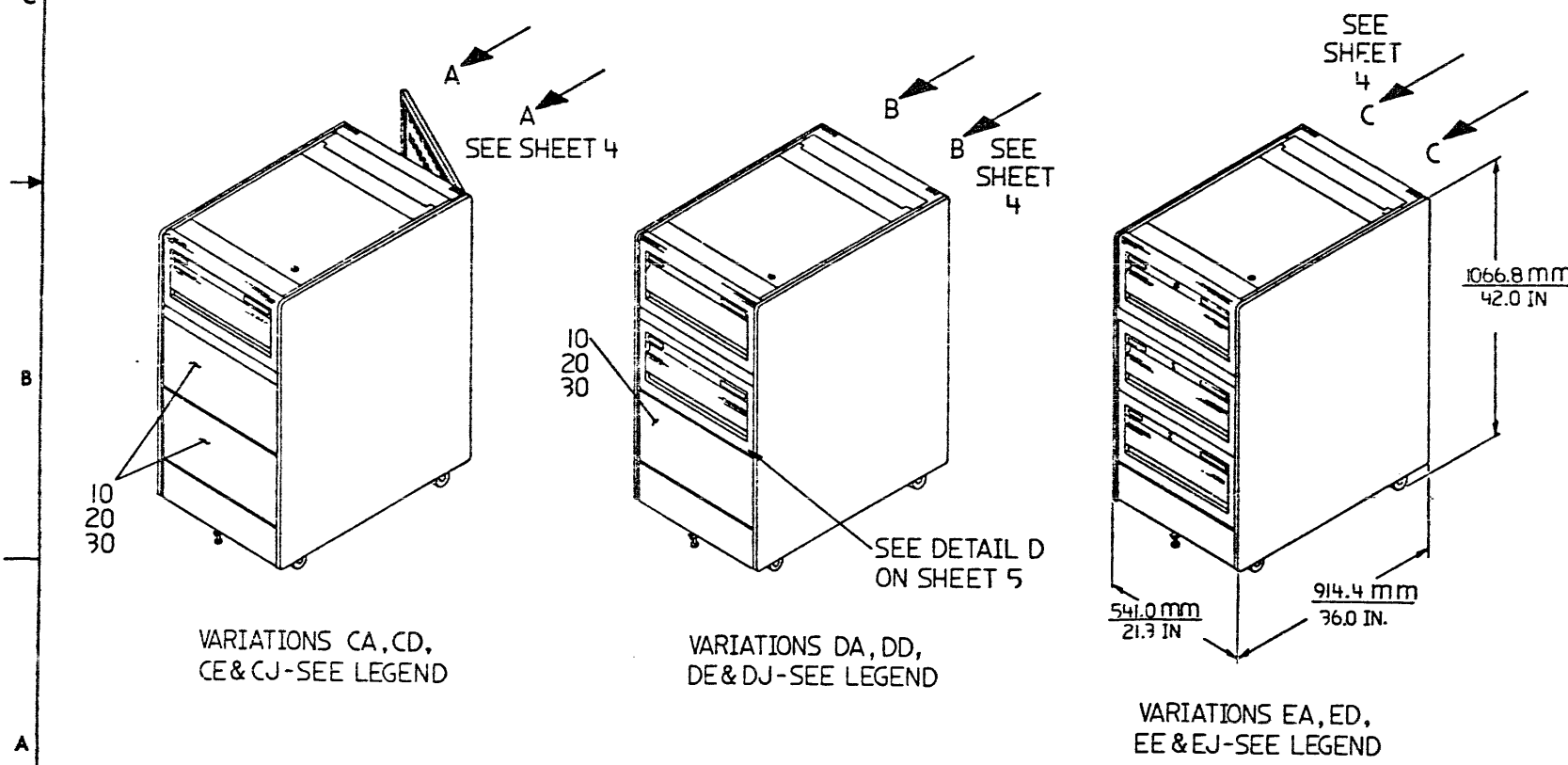
THE DRAWING AND SPECIFICATIONS HEREIN ARE THE PROPERTY OF DIGITAL EQUIPMENT CORPORATION AND SHALL NOT BE REPRODUCED OR COPIED OR USED IN WHOLE OR IN PART AS THE BASIS FOR THE MANUFACTURE OR SALE OF ITEMS WITHOUT WRITTEN PERMISSION. COPYRIGHT © 1982 DIGITAL EQUIPMENT CORPORATION

CABLE CHART				
FIRST RAB1, ADD ON, MIDDLE BAY				
ITEM NO	DESCRIPTION	FROM	TO	REMARKS
	SI CABLE	A- DRIVE 0	A- I/O BLKHD	PART OF DRIVE 0
	SI CABLE	B- DRIVE 0	B- I/O BLKHD	PART OF DRIVE 0
	SI CABLE	A- DRIVE 1	A- I/O BLKHD	PART OF DRIVE 1
	SI CABLE	B- DRIVE 1	A- I/O BLKHD	PART OF DRIVE 1
9	PLUG SEQUENCE	PLUG-BLKHD		PART OF CABINET
	DRIVE SEQUENCE	IN- BLKHD	IN- DRIVE 0	PART OF DRIVE 0
8	DRIVE SEQUENCE	OUT- DRIVE 0	IN- DRIVE 1	
	DRIVE SEQUENCE	OUT- DRIVE 1	OUT- I/O BLKHD	PART OF DRIVE 0
	DRIVE PWR CORD	H766 PWR SUP	B74 PWR CONT	J5 SEE NOTE 13

CABLE CHART				
SECOND RAB1, ADD ON, BOTTOM BAY				
ITEM NO	DESCRIPTION	FROM	TO	REMARKS
	SI CABLE	A- DRIVE 0	A- I/O BLKHD	PART OF DRIVE 0
	SI CABLE	B- DRIVE 0	B- I/O BLKHD	PART OF DRIVE 0
	SI CABLE	A- DRIVE 1	A- I/O BLKHD	PART OF DRIVE 1
	SI CABLE	B- DRIVE 1	B- I/O BLKHD	PART OF DRIVE 1
	SI CABLE	A- DRIVE 2	A- I/O BLKHD	PART OF DRIVE 2
	SI CABLE	B- DRIVE 2	B- I/O BLKHD	PART OF DRIVE 2
9	PLUG SEQUENCE	PLUG-BLKHD		PART OF CABINET
	DRIVE SEQUENCE	IN- BULKHD	IN- DRIVE 0	PART OF DRIVE 0
	DRIVE SEQUENCE	OUT- DRIVE 0	IN- DRIVE 1	PART OF DRIVE 1
8	DRIVE SEQUENCE	OUT- DRIVE 1	IN- DRIVE 2	
	DRIVE SEQUENCE	OUT- DRIVE 2	OUT- I/O BLKHD	PART OF DRIVE 1
	DRIVE PWR CORD	H766 PWR SUP	B74 PWR CONT	J6 SEE NOTE 13

NOTES CONT

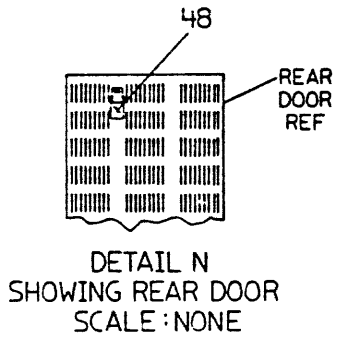
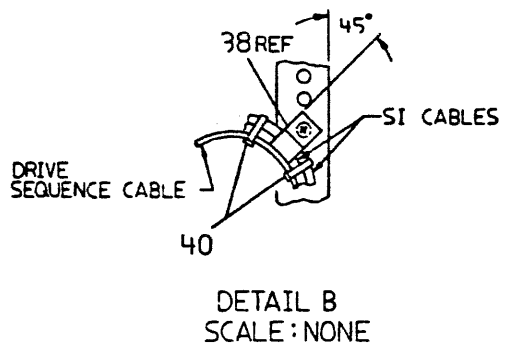
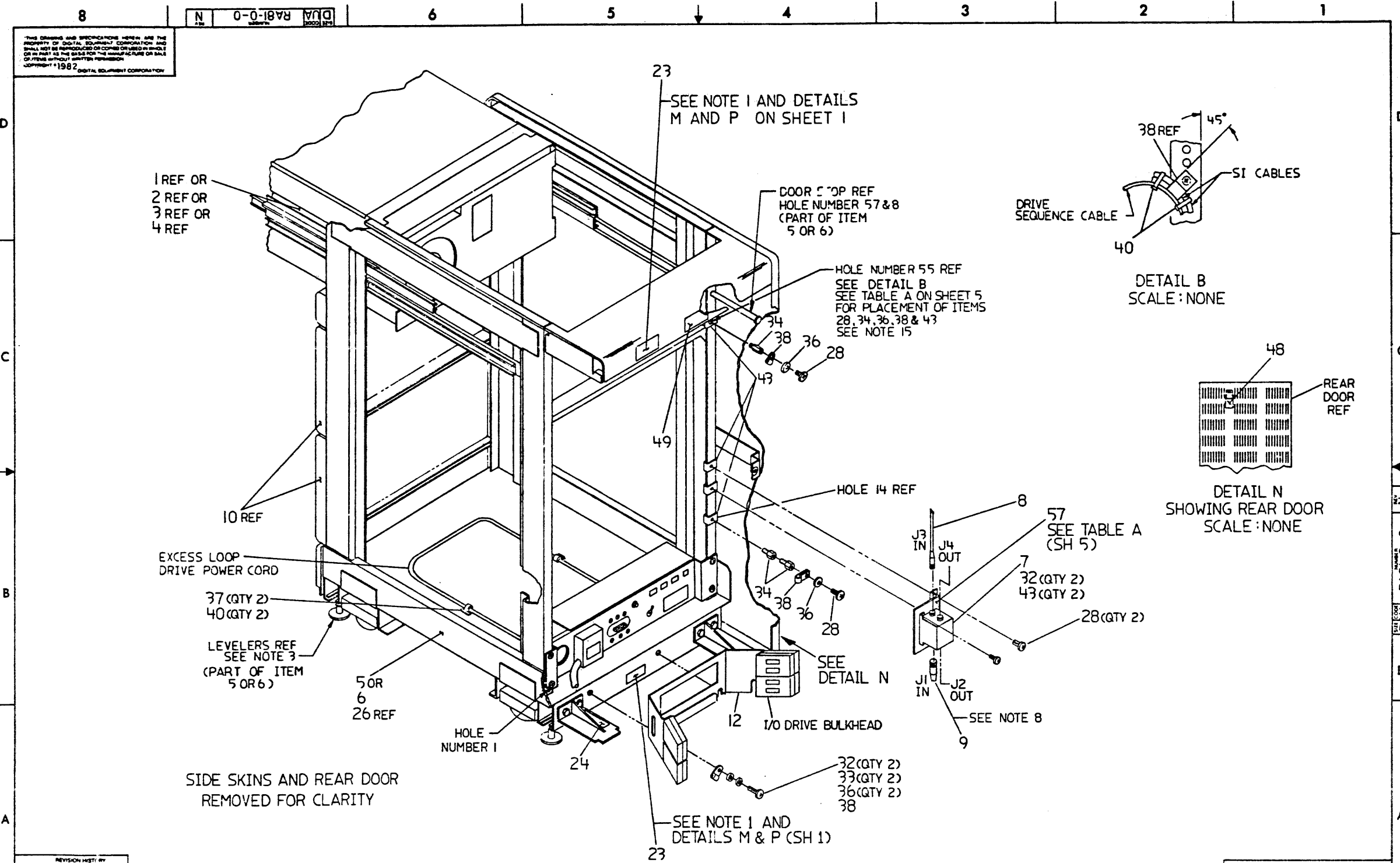
- 11. AT LEAST ONE BRACKET TO REMAIN CONNECTED TO REAR OF DRIVE WHEN DRIVE IS OPERATIONAL. (FUNCTIONAL ELECTROSTATIC DISCHARGE PATH).
- 12. WITH DRIVE FULLY EXTENDED, FASTEN CABLE CLAMPS (ITEM 38) WITH MINIMUM AMOUNT OF EXCESS CABLE.
- 13. DRESS CABLES AND/OR EXCESS TO VERTICAL UP-RIGHTS AS CLOSE AS POSSIBLE TO AVOID SNAGGING OR INTERFERENCE WITH SLIDE MOUNTED DISK DRIVES.
- 14. THESE PARTS USED ONLY ON MULTI-DRIVE CONFIGURATIONS.
- 15. FOR COMPLETE PARTS LISTS, INSTRUCTIONS, AND HARDWARE TO MOUNT THESE PARTS, SEE THEIR ASSOCIATED ASSEMBLY DRAWINGS.
- 16. ~~ITEM NUMBER 50 (GROUND CABLE) TO BE SHIPPED LOOSE ALONG WITH RELATED HARDWARE (ONE EACH OF ITEMS NUMBER 30, 33 AND 40)~~
- 17. ITEM NO. 56 (70-19690-12) AND ITEM NO. 53 (BC26V-12) TO BE SHIPPED AS LOOSE PIECE.



REVISION HISTORY		
DATE	ECC NUMBER	REV

D-UA-RAB1-0-0 2 of 7

THIS DRAWING AND SPECIFICATIONS HEREIN ARE THE PROPERTY OF DIGITAL EQUIPMENT CORPORATION AND SHALL NOT BE REPRODUCED OR COPIED OR USED IN WHOLE OR IN PART AS THE BASIS FOR THE MANUFACTURE OR SALE OF ITEMS WITHOUT WRITTEN PERMISSION
 COPYRIGHT © 1987 DIGITAL EQUIPMENT CORPORATION



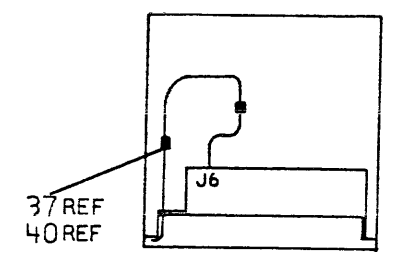
REVISION HISTORY		
DATE	ECO NUMBER	REV

TITLE RAB1 SHIP CONFIGURATION

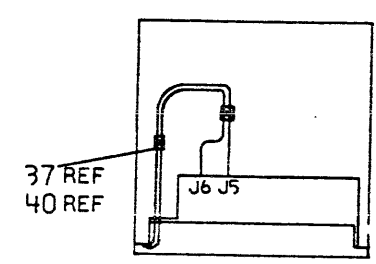
DOCUMENT NUMBER		
SIZE CODE	NUMBER	REV
DUA	RAB1-0-0	N
SCALE: NONE		SHEET 3 OF 7

DUA-RAB1-0-0

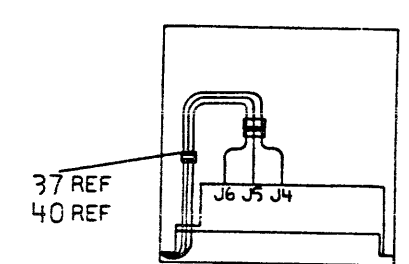
3 of 7



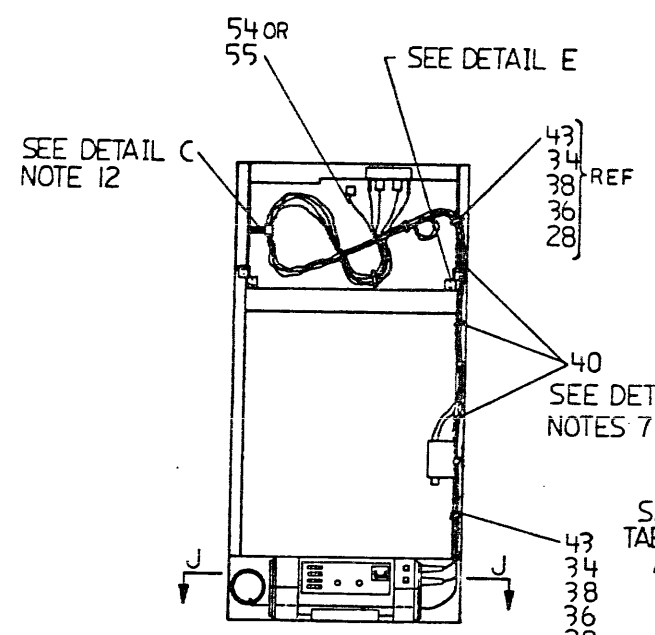
SECTION J-J
SCALE: NONE



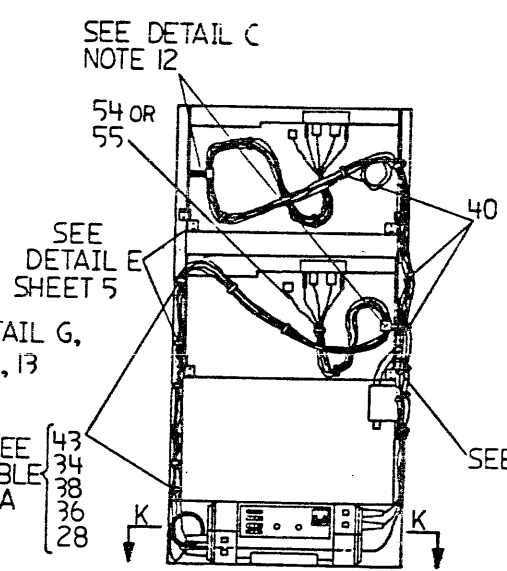
SECTION K-K
SCALE: NONE



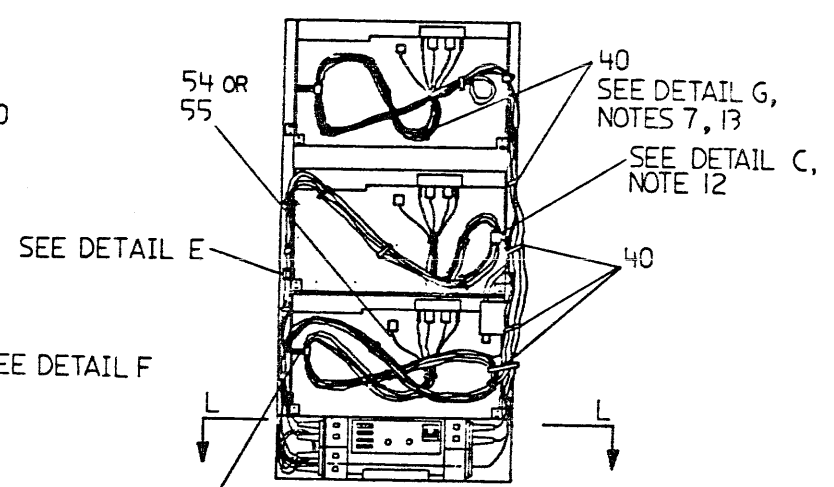
SECTION L-L
SCALE: NONE



VIEW A-A (SH 2)
SCALE: NONE
SEE SHEET 5
FOR DETAILS C, E, G
AND TABLE A



VIEW B-B (SH 2)
SCALE: NONE
SEE SHEET 5 FOR
DETAILS C, E, F, G
AND TABLE A



VIEW C-C (SH 2)
SCALE: NONE
SEE SHEET 5 FOR
DETAILS C, E, G

SEE DETAIL C
NOTE 12

REVISION HISTORY		
DATE	ECO NUMBER	REV

TITLE RAB1 SHIP
CONFIGURATION

SIZE CODE	DOCUMENT NUMBER	REV
DUA	RAB1-0-0	N
SCALE NONE	SHEET 4 OF 7	

D
C
B
A

D
C
B
A

DUA RAB1-0-0 N

4 of 7

THE DIMENSIONS AND SPECIFICATIONS HEREIN ARE THE PROPERTY OF DIGITAL EQUIPMENT CORPORATION AND SHALL NOT BE REPRODUCED OR COPIED OR USED IN WHOLE OR IN PART AS THE BASIS FOR THE MANUFACTURE OR SALE OF ITEMS WITHOUT WRITTEN PERMISSION.
 © 1982 DIGITAL EQUIPMENT CORPORATION

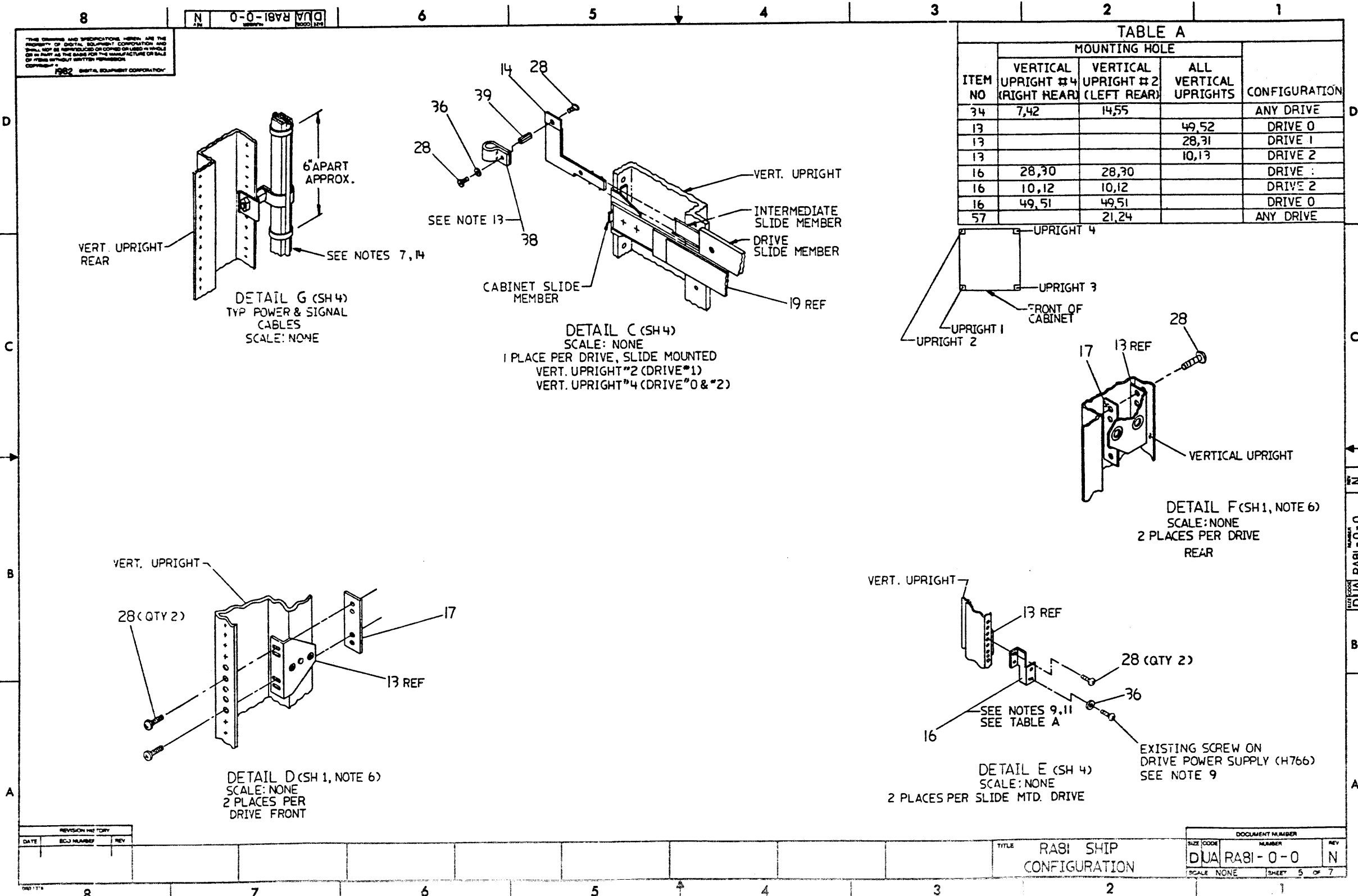


TABLE A
MOUNTING HOLE

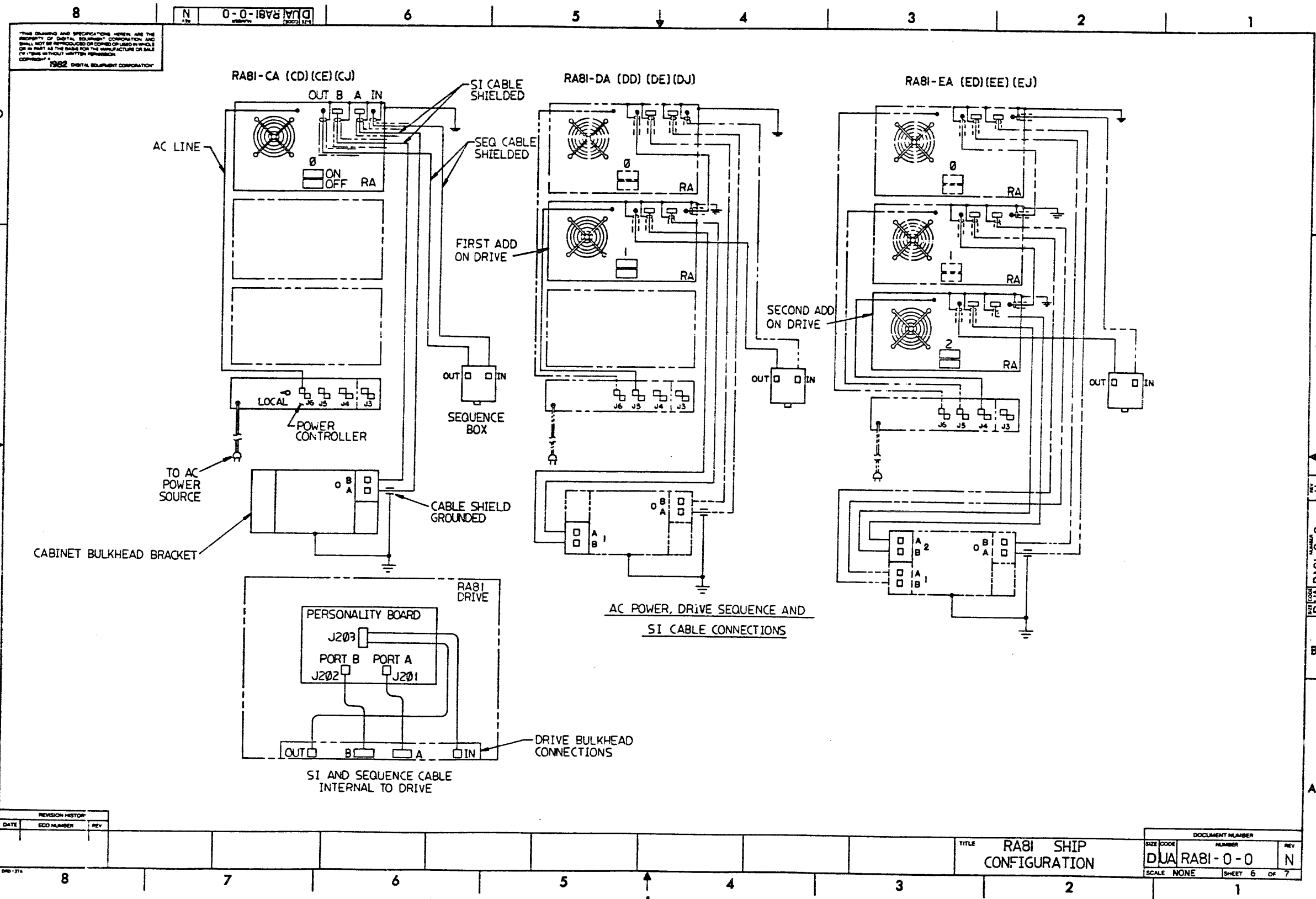
ITEM NO	VERTICAL UPRIGHT #4 (RIGHT REAR)	VERTICAL UPRIGHT #2 (LEFT REAR)	ALL VERTICAL UPRIGHTS	CONFIGURATION
34	7,42	14,55		ANY DRIVE
13			49,52	DRIVE 0
13			28,31	DRIVE 1
13			10,13	DRIVE 2
16	28,30	28,30		DRIVE :
16	10,12	10,12		DRIVE 2
16	49,51	49,51		DRIVE 0
57		21,24		ANY DRIVE

REVISION HISTORY		
DATE	ECO NUMBER	REV

DOCUMENT NUMBER		
SIZE CODE	NUMBER	REV
DUA	RAB1-0-0	N
SCALE NONE		SHEET 5 OF 7

D-UA-RAB1-0-0

5 of 7



D-VA-RAB1-0-0

6 of 7

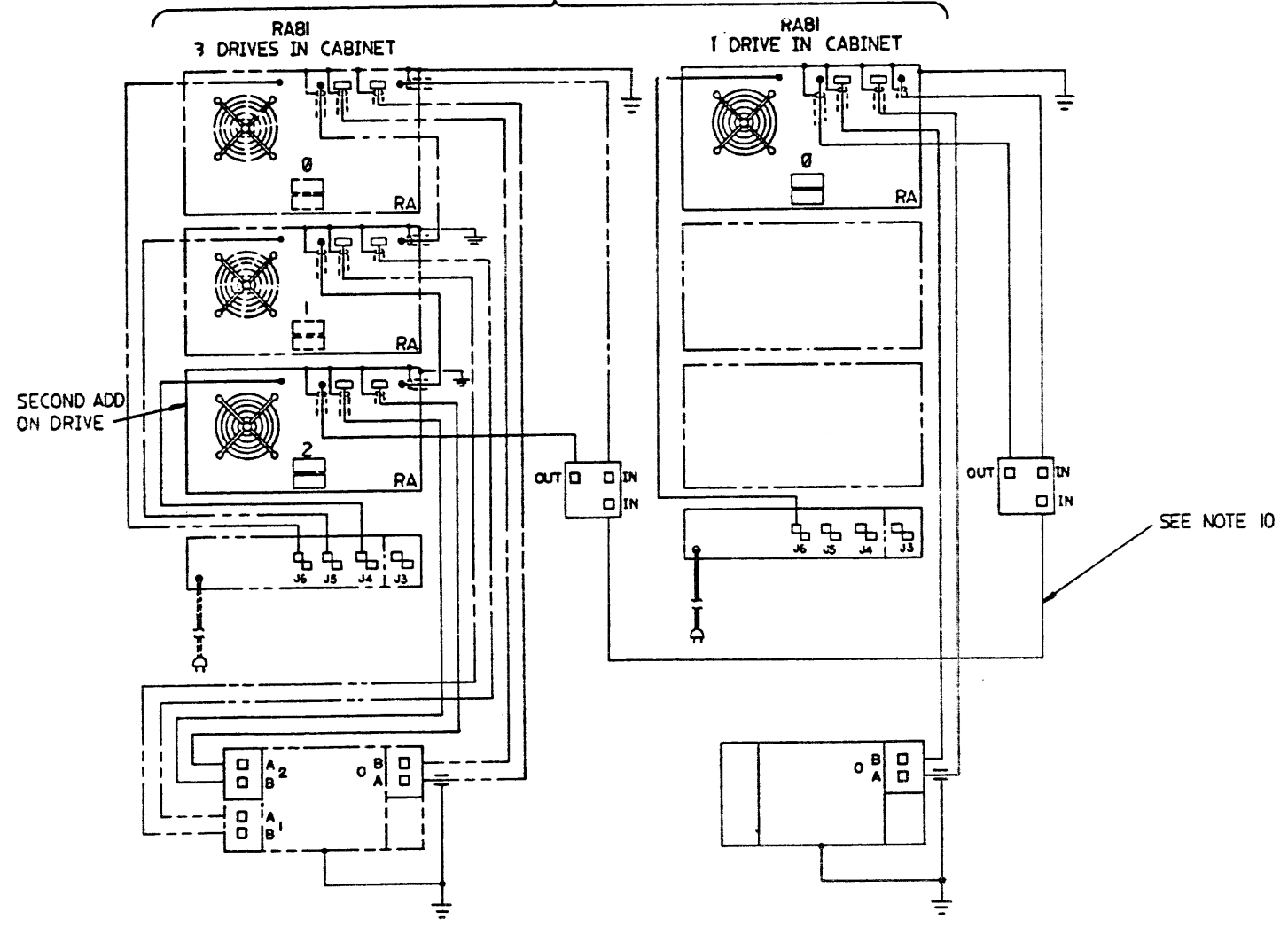
REVISION HISTORY		
DATE	EDD NUMBER	REV

TITLE		DOCUMENT NUMBER	
RABI SHIP CONFIGURATION		DJA RAB1-0-0	N
SCALE	NONE	SHEET	6 OF 7

THIS DRAWING AND SPECIFICATIONS HEREIN ARE THE PROPERTY OF SIGTEL EQUIPMENT CORPORATION AND SHALL NOT BE REPRODUCED OR COPIED IN WHOLE OR IN PART AS THE BASIS FOR THE MANUFACTURE OR SALE OF ITEMS WITHOUT WRITTEN PERMISSION. COPYRIGHT © 1982 SIGTEL EQUIPMENT CORPORATION.

DUA RAB1-0-0 N

MAXIMUM CONFIGURED SYSTEM PER UDA50



D-U-A-RAB1-0-0

7 of 7

DATE	ECO NUMBER	REV

TITLE RAB1 SHIP CONFIGURATION

SIZE CODE	NUMBER	REV
DUA	RAB1-0-0	N
SCALE NONE	SHEET 7	OF 7

AUTOMATED BY VAXKPL (V1.1)

PARTS LIST

SHEET 1 OF 4

LINE	ITEM	TOP DOCUMENT	PART NUMBER	MIN REV	DESCRIPTION	QUANTITY PER VARIATION/REVISION									
						CA N1	CD N1	CE N1	CJ N1	DA N1	DD N1	DE N1	DJ N1	EA N1	ED N1
1	1	D-AD-7019062-0-0	70-19062-01		DISK DRIVE ASSEMBLY(60HZ, 120V)	1	-	-	-	2	-	-	-	3	-
2	2	D-AD-7019062-0-0	70-19062-02		DISK DRIVE ASSEMBLY (50HZ, 240V)	-	1	-	-	-	2	-	-	-	3
3	3	D-AD-7019062-0-0	70-19062-03		DISK DRIVE ASSY (60HZ, 120V)	-	-	1	-	-	-	2	-	-	-
4	4	D-AD-7019062-0-0	70-19062-04		DISK DRIVE ASSY (50HZ, 240V)	-	-	-	1	-	-	-	2	-	-
5	5	D-UA-H9642-A-0	H9642-AS		RA81 STANDALONE CAB,120V 24A (874-	1	-	1	-	1	-	1	-	1	-
6	6	D-UA-H9642-A-0	H9642-AT		RA81 STANDALONE CAB,240V 24A (874-	-	1	-	1	-	1	-	1	-	1
7	7	D-AD-7019713-0-0	70-19713-01		SEQUENCE BOX ASSEMBLY	1	1	1	1	1	1	1	1	1	1
8	8	D-IA-7019690-0-0	70-19690-08		CABLE, DRIVE SEQ SHIELDED (8'-0")	2	2	2	2	3	3	3	3	4	4
9	9	C-IA-7019692-0-0	70-19692-01		PLUG	1	1	1	1	1	1	1	1	1	1
10	10	E-MD-7415314-0-0	74-15314-00		CASTING 101/2 SNAP-ON BEZEL	2	2	2	2	1	1	1	1	-	-
11	11	D-MD-7425325-0-0	74-25325-00		*** THIS ITEM IS NOT USED ***	-	-	-	-	-	-	-	-	-	-
12	12	D-IA-7432005-0-0	74-32005-01	A	BRACKET,SDI INTERFACE	1	1	1	1	1	1	1	1	1	1
13	13	D-MD-7419261-0-0	74-19261-00		BRACKET CHASSIS SLIDE	4	4	4	4	8	8	8	8	12	12
14	14	D-MD-7425326-0-0	74-25326-01	A	SPRING RETAINER CABLE	1	1	1	1	2	2	2	2	3	3
15	15	B-MD-7425167-0-0	74-25167-01		*** THIS ITEM IS NOT USED ***	-	-	-	-	-	-	-	-	-	-
16	16	C-MD-7428330-0-0	74-28330-01	A	BRACKET,ESD	2	2	2	2	4	4	4	4	6	6
17	17	B-MD-7425168-0-0	74-25168-01		BAR, NUT	4	4	4	4	8	8	8	8	12	12
18	18	A-DC-7416197-0-0	74-16197-02		*** THIS ITEM IS NOT USED ***	-	-	-	-	-	-	-	-	-	-
19	19		12-13686-00	J	CHASSIS SLIDE SET INCLUDED 1 L.H.	1	1	1	1	2	2	2	2	3	3
20	20	B-MD-7415711-0-0	74-15711-02		PIN PILOT	8	8	3	8	4	4	4	4	-	-
21	21		90-08059-00		*** THIS ITEM IS NOT USED ***	-	-	-	-	-	-	-	-	-	-
22	22		37-00588-02		*** THIS ITEM IS NOT USED ***	-	-	-	-	-	-	-	-	-	-
23	23		36-17674-01	E	LABEL,SERIAL/POWER W UL & CSA LO	2	2	2	2	2	2	2	2	2	2
24	24		36-20554-01	A	LABEL,CAUTION STABILITY RA81	1	1	1	1	1	1	1	1	1	1
25	25		36-13211-00	A	*** THIS ITEM IS NOT USED ***	-	-	-	-	-	-	-	-	-	-
26	26		37-00678-04		PKG DISK DRIVE RA60	1	1	1	1	1	1	1	1	1	1
27	27		90-06659-00		*** THIS ITEM IS NOT USED ***	-	-	-	-	-	-	-	-	-	-
28	28		90-09700-00	A	SCREW,SEMS TRUSS PHIL 10-32	16	16	16	16	30	30	30	30	42	42
29	29		90-10174-01	C	SCREW,SEMS PAN PHIL 8-32	12	12	12	12	24	24	24	24	36	36
30	30		90-06565-00	C	NUT,HEX EXT TOOTH LCKWshR 10-32X	8	8	8	8	4	4	4	4	-	-
31	31		90-09228-10	A	*** THIS ITEM IS NOT USED ***	-	-	-	-	-	-	-	-	-	-
32	32		90-06074-01		SCREW,MACH PAN PHIL 10-32	2	2	2	2	2	2	2	2	2	2

REVISION HISTORY			KPL MATRIX FORMAT SECTION A OF B:DRN: LRM			DATE: 13-JUL-82			DIGITAL					
ENG	ECO NUMBER	REV	SECTION/VARIATION INDEX			CHK'D:	D. MILLER			TITLE PARTS LIST				
JN	INITIAL REL	A	[A]	CA,CD,CE,CJ,DA,DD,DE,DJ,EA,ED			DATE:	13-JUL-82			RA81 SHIP CONFIGURATION			
JN	RA81-CX001	B	[B]	EE,EJ			DES.ENG:	J. NORDBERG			DOCUMENT NUMBER			
JN	RA81-CX002	C	[C]				DATE:	13-JUL-82			SIZE	CODE	NUMBER	REV
JN	RA81-CX003	D	[D]				RESP.ENG.:	M. HAMMER			K	PL	RA81-0-DBP	N
JN	RA81-CX004	E	[E]				DATE:	13-JUL-82			RELEASE DATE: 10-JUN-86			
JN	RA81-CX05A	F	[F]				DATE:	13-JUL-82			RELEASE STATUS: RELEASED			
JN	RA81-CX06A	H	[H]				MFG.ENG:	L. GARCIA						
JN	RA81-CX08A	J	[J]				DATE:	13-JUL-82						
JN	RA81-CX009	K	[K]											
JN	RA81-CX010	L	[L]											
JN	RA81-CX013	M	[M]											
JN	RA81-CX014	N	[N]											
			BASIC PART NUMBER:		ASSEMBLY NUMBER:	TOP DOCUMENT NUMBER:		FILE NAME:		EDIT #				
			RA81		D-UA-RA81-0-0	K-DD-RA81-0-DBU		Z5062N.PLS		5				

2/10 10:00 27 16 JUNE 86

"THIS DRAWING AND THE SPECIFICATIONS CONTAINED HEREIN ARE CONFIDENTIAL AND PROPRIETARY. THEY ARE THE PROPERTY OF DIGITAL EQUIPMENT CORPORATION AND SHALL NOT BE REPRODUCED OR COPIED OR USED IN WHOLE OR IN PART AS THE BASIS FOR THE MANUFACTURE OR SALE OF ITEMS WITHOUT WRITTEN PERMISSION. THIS IS AN UNPUBLISHED WORK PROTECTED UNDER THE FEDERAL COPYRIGHT LAWS."

LINE	ITEM	TOP DOCUMENT	PART NUMBER	MIN REV	DESCRIPTION	QUANTITY PER VARIATION/REVISION									
						CA N1	CD N1	CE N1	CJ N1	DA N1	DD N1	DE N1	DJ N1	EA N1	ED N1
33	33		90-07651-00	B	WASHER, LOCK EXTERNAL STEEL	2	2	2	2	2	2	2	2	2	2
34	34		90-00001-22	A	STANDOFF, MALE/FEMALE HEX 10-32 X	2	2	2	2	4	4	4	4	4	4
35	35		90-07083-00		*** THIS ITEM IS NOT USED ***	-	-	-	-	-	-	-	-	-	-
36	36		90-06664-00		WASHER, FLAT SST	7	7	7	7	12	12	12	12	15	15
37	37		90-08264-00	A	MOUNT, CABLE TIE, ADHESIVE BACKED,	2	2	2	2	2	2	2	2	2	2
38	38		90-07088-00		CLAMP, CABLE, SCREW MTD. 1/16"	3	3	3	3	5	5	5	5	5	5
39	39		90-07662-00	A	SPACER, THREADED HEX ALUM 10-32X	1	1	1	1	2	2	2	2	3	3
40	40		90-07032-00	D	TIE, CABLE BUNDL. DIA 0-1-3/4"=101	15	15	15	15	31	31	31	31	44	44
41	41		90-09984-00	B	SCREW, SEMS PAN PHIL 6-32	2	2	2	2	2	2	2	2	2	2
42	42		90-06636-00		*** THIS ITEM IS NOT USED ***	-	-	-	-	-	-	-	-	-	-
43	43		90-07786-00	F	RETAINER, U-NUT 10-32X	4	4	4	4	6	6	6	6	6	6
44	44		90-09988-00		*** THIS ITEM IS NOT USED ***	-	-	-	-	-	-	-	-	-	-
45	45		90-06073-02		*** THIS ITEM IS NOT USED ***	-	-	-	-	-	-	-	-	-	-
46	46		90-09350-01		*** THIS ITEM IS NOT USED ***	-	-	-	-	-	-	-	-	-	-
47	47		90-07867-00	A	*** THIS ITEM IS NOT USED ***	-	-	-	-	-	-	-	-	-	-
48	48		36-18307-05		ASSY, 04, 01	1	1	1	1	1	1	1	1	1	1
49	49		36-17880-03	E	LABEL, FCC, CLASS A, PERIPHERAL	1	1	1	1	1	1	1	1	1	1
50	50	K-PL-7020194-0-DBP	70-20194-02		RA80 HARDWARE MTG KIT SLIDES	REF	REF	REF	REF	REF	REF	REF	REF	REF	REF
51	51	K-PL-7020194-0-DBP	70-20194-01		RA80 HARDWARE MOUNTING KIT	REF	REF	REF	REF	REF	REF	REF	REF	REF	REF
52	52	D-AD-7018340-0-0	70-18340-02		*** THIS ITEM IS NOT USED ***	-	-	-	-	-	-	-	-	-	-
53	53	SEE NOTE 53	BC26V-12		SI CABLE, 12FT, 4 COAX SHIELDED	1	1	1	1	2	2	2	2	3	3
54	54		17-00083-23	L	PWR CORD, TERM. 108IN, 14-3, 125V 15A	1	-	1	-	1	-	1	-	1	-
55	55		17-00083-24	L	PWR CORD, TERM. 108IN, 14-3, 250V 6A	-	1	-	1	-	1	-	1	-	1
56	56	D-IA-7019690-0-0	70-19690-12		CABLE, DRIVE SEQ SHIELDED (12'-0")	1	1	1	1	1	1	1	1	1	1
57	57	K-IA-7432046-0-DBU	74-32046-01	A	BRACKET, SEQUENCE MTG.	1	1	1	1	1	1	1	1	1	1

53 NOTE: ITEM 53 (BC26V-12), TO BE SHIPPED LOOSE PIECE.

- 1 GEN: LEGEND
- 2 GEN: PART NO VARIATION
- 3 GEN: RA81-CA (1)16 BIT RA81 IN H9642-AS CAB 120V 60Z
- 4 GEN: RA81-CD (1)16 BIT RA81 IN H9642-AT CAB 240V 50HZ
- 5 GEN: RA81-CE (1)18 BIT RA81 IN H9642-AS CAB 120V 60HZ
- 6 GEN: RA81-CJ (1)18 BIT RA81 IN H9642-AT CAB 240V 50HZ
- 7 GEN: RA81-DA (2)16 BIT RA81 IN H9642-AS CAB 120V 60HZ
- 8 GEN: RA81-DD (2)16 BIT RA81 IN H9642-AT CAB 240V 50HZ
- 9 GEN: RA81-DE (2)18 BIT RA81 IN H9642-AS CAB 120V 60HZ
- 10 GEN: RA81-DJ (2)18 BIT RA81 IN H9642-AT CAB 240V 50HZ
- 11 GEN: RA81-EA (3)16 BIT RA81 IN H9642-AS CAB 120V 60HZ
- 12 GEN: RA81-ED (3)16 BIT RA81 IN H9642-AT CAB 240V 50HZ
- 13 GEN: RA81-EE (3)18 BIT RA81 IN H9642-AS CAB 120V 60HZ
- 14 GEN: RA81-EJ (3)18 BIT RA81 IN H9642-AT CAB 240V 50HZ

D I G I T A L					TITLE	SECTION A OF B	SIZE CODE	DOCUMENT NUMBER	REV
					RA81 SHIP CONFIGURATION			RA81-0-DBP	N

PARTS LIST

QUANTITY PER VARIATION/REVISION

LINE ITEM	TOP DOCUMENT	PART NUMBER	MIN REV	DESCRIPTION	EE N1	EJ N1
1	D-AD-7019062-0-0	70-19062-01		DISK DRIVE ASSEMBLY(60HZ, 120V)	-	-
2	D-AD-7019062-0-0	70-19062-02		DISK DRIVE ASSEMBLY (50HZ, 240V)	-	-
3	D-AD-7019062-0-0	70-19062-03		DISK DRIVE ASSY (60HZ, 120V)	3	-
4	D-AD-7019062-0-0	70-19062-04		DISK DRIVE ASSY (50HZ, 240V)	-	3
5	D-UA-H9642-A-0	H9642-AS		RAB1 STANDALONE CAB,120V 24A (874-	1	-
6	D-UA-H9642-A-0	H9642-AT		RAB1 STANDALONE CAB,240V 24A (874-	-	1
7	D-AD-7019713-0-0	70-19713-01		SEQUENCE BOX ASSEMBLY	1	1
8	D-IA-7019690-0-0	70-19690-08		CABLE, DRIVE SEQ SHIELDED (8'-0")	4	4
9	C-IA-7019692-0-0	70-19692-01		PLUG	1	1
10	E-MD-7415314-0-0	74-15314-00		CASTING 101/2 SNAP-ON BEZEL	-	-
11	D-MD-7425325-0-0	74-25325-00		*** THIS ITEM IS NOT USED ***	-	-
12	D-IA-7432005-0-0	74-32005-01	A	BRACKET,SDI INTERFACE	1	1
13	D-MD-7419261-0-0	74-19261-00		BRACKET CHASSIS SLIDE	12	12
14	D-MD-7425326-0-0	74-25326-01	A	SPRING RETAINER CABLE	3	3
15	B-MD-7425167-0-0	74-25167-01		*** THIS ITEM IS NOT USED ***	-	-
16	C-MD-7428330-0-0	74-28330-01	A	BRACKET,ESD	6	6
17	B-MD-7425168-0-0	74-25168-01		BAR, NUT	12	12
18	A-DC-7416197-0-0	74-16197-02		*** THIS ITEM IS NOT USED ***	-	-
19		12-13686-00	J	CHASSIS SLIDE SET INCLUDED 1 L.H.	3	3
20	B-MD-7415711-0-0	74-15711-02		PIN PILOT	-	-
21		90-08059-00		*** THIS ITEM IS NOT USED ***	-	-
22		37-00588-02		*** THIS ITEM IS NOT USED ***	-	-
23		36-17674-01	E	LABEL,SERIAL/POWER W UL & CSA LO	2	2
24		36-20554-01	A	LABEL,CAUTION STABILITY RAB1	1	1
25		36-13211-00	A	*** THIS ITEM IS NOT USED ***	-	-
26		37-00678-04		PKG DISK DRIVE RA60	1	1
27		90-06659-00		*** THIS ITEM IS NOT USED ***	-	-
28		90-09700-00	A	SCREW,SEMS TRUSS PHIL 10-32	42	42
29		90-10174-01	C	SCREW,SEMS PAN PHIL 8-32	36	36
30		90-06565-00	C	NUT,HEX EXT TOOTH LCKWSHR 10-32X	-	-
31		90-09228-10	A	*** THIS ITEM IS NOT USED ***	-	-
32		90-06074-01		SCREW,MACH PAN PHIL 10-32	2	2

REVISION HISTORY			KPL MATRIX FORMAT SECTION B OF B		DRN: LRM	DIGITAL			
ENG	ECO NUMBER	REV	SECTION/VARIATION INDEX		DATE: 13-JUL-82	TITLE		PARTS LIST	
JN	INITIAL REL	A	[A]	CA,CD,CE,CJ,DA,DD,DE,DJ,EA,ED	CHK'D: D. MILLER	RAB1 SHIP CONFIGURATION			
JN	RA81-CX001	B	[B]	EE,EJ	DATE: 13-JUL-82	DOCUMENT NUMBER			
JN	RA81-CX002	C	[C]		DES.ENG: J. NORDBERG	SIZE		NUMBER	REV
JN	RA81-CX003	D	[D]		DATE: 13-JUL-82	K	PL	RA81-0-DBP	N
JN	RA81-CX004	E	[E]		RESP.ENG.: M. HAMMER	RELEASE DATE: 10-JUN-86			
JN	RA81-CX05A	F	[F]		DATE: 13-JUL-82	RELEASE STATUS: RELEASED			
JN	RA81-CX06A	H	[H]		MFG.ENG: L. GARCIA				
JN	RA81-CX08A	J	[J]		DATE: 13-JUL-82				
JN	RA81-CX009	K							
JN	RA81-CX010	L							
JN	RA81-CX013	M							
JN	RA81-CX014	N							
			BASIC PART NUMBER:	ASSEMBLY NUMBER:	TOP DOCUMENT NUMBER:	FILE NAME:	EDIT #		
			RA81	D-UA-RA81-0-0	K-DD-RA81-0-DBU	Z5062N.PLS	5		

"THIS DRAWING AND THE SPECIFICATIONS CONTAINED HEREIN ARE CONFIDENTIAL AND PROPRIETARY. THEY ARE THE PROPERTY OF DIGITAL EQUIPMENT CORPORATION AND SHALL NOT BE REPRODUCED OR COPIED OR USED IN WHOLE OR IN PART AS THE BASIS FOR THE MANUFACTURE OR SALE OF ITEMS WITHOUT WRITTEN PERMISSION. THIS IS AN UNPUBLISHED WORK PROTECTED UNDER THE FEDERAL COPYRIGHT LAWS."

LINE	ITEM	TOP DOCUMENT	PART NUMBER	MIN REV	DESCRIPTION	EE N1	EJ N1	QUANTITY PER VARIATION/REVISION
33	33		90-07651-00	B	WASHER, LOCK EXTERNAL STEEL	2	2	
34	34		90-00001-22	A	STANDOFF, MALE/FEMALE HEX 10-32 X	4	4	
35	35		90-07083-00		*** THIS ITEM IS NOT USED ***	-	-	
36	36		90-06664-00		WASHER, FLAT SST	15	15	
37	37		90-08264-00	A	MOUNT, CABLE TIE, ADHESIVE BACKED,	2	2	
38	38		90-07088-00		CLAMP, CABLE, SCREW MTD. 11/16"	5	5	
39	39		90-07662-00	A	SPACER, THREADED HEX ALUM 10-32X	3	3	
40	40		90-07032-00	D	TIE, CABLE BUNDL. DIA 0-1-3/4"=101	44	44	
41	41		90-09984-00	B	SCREW, SEMS PAN PHIL 6-32	2	2	
42	42		90-06636-00		*** THIS ITEM IS NOT USED ***	-	-	
43	43		90-07786-00	F	RETAINER, U-NUT 10-32X	6	6	
44	44		90-09988-00		*** THIS ITEM IS NOT USED ***	-	-	
45	45		90-06073-02		*** THIS ITEM IS NOT USED ***	-	-	
46	46		90-09350-01		*** THIS ITEM IS NOT USED ***	-	-	
47	47		90-07867-00	A	*** THIS ITEM IS NOT USED ***	-	-	
48	48		36-18307-05		ASSY, 04, 01	1	1	
49	49		36-17880-03	E	LABEL, FCC, CLASS A, PERIPHERAL	1	1	
50	50	K-PL-7020194-0-DBP	70-20194-02		RA80 HARDWARE MTG KIT SLIDES	REF	REF	
51	51	K-PL-7020194-0-DBP	70-20194-01		RA80 HARDWARE MOUNTING KIT	REF	REF	
52	52	D-AD-7018340-0-0	70-18340-02		*** THIS ITEM IS NOT USED ***	-	-	
53	53	SEE NOTE 53	BC26V-12		SI CABLE, 12FT, 4 COAX SHIELDED	3	3	
54	54		17-00083-23	L	PWR CORD, TERM. 108IN, 14-3, 125V 15A	1	-	
55	55		17-00083-24	L	PWR CORD, TERM. 108IN, 14-3, 250V 6A	-	1	
56	56	D-IA-7019690-0-0	70-19690-12		CABLE, DRIVE SEQ SHIELDED (12'-0")	1	1	
57	57	K-IA-7432046-0-DBU	74-32046-01	A	BRACKET, SEQUENCE MTG.	1	1	

53 NOTE: ITEM 53 (BC26V-12), TO BE SHIPPED LOOSE PIECE.

GEN:	PART NO	VARIATION
1 GEN:	RA81-CA (1)16	BIT RA81 IN H9642-AS CAB 120V 60Z
2 GEN:	RA81-CD (1)16	BIT RA81 IN H9642-AT CAB 240V 50HZ
3 GEN:	RA81-CE (1)18	BIT RA81 IN H9642-AS CAB 120V 60HZ
4 GEN:	RA81-CJ (1)18	BIT RA81 IN H9642-AT CAB 240V 50HZ
5 GEN:	RA81-DA (2)16	BIT RA81 IN H9642-AS CAB 120V 60HZ
6 GEN:	RA81-DD (2)16	BIT RA81 IN H9642-AT CAB 240V 50HZ
7 GEN:	RA81-DE (2)18	BIT RA81 IN H9642-AS CAB 120V 60HZ
8 GEN:	RA81-DJ (2)18	BIT RA81 IN H9642-AT CAB 240V 50HZ
9 GEN:	RA81-EA (3)16	BIT RA81 IN H9642-AS CAB 120V 60HZ
10 GEN:	RA81-ED (3)16	BIT RA81 IN H9642-AT CAB 240V 50HZ
11 GEN:	RA81-EE (3)18	BIT RA81 IN H9642-AS CAB 120V 60HZ
12 GEN:	RA81-EJ (3)18	BIT RA81 IN H9642-AT CAB 240V 50HZ

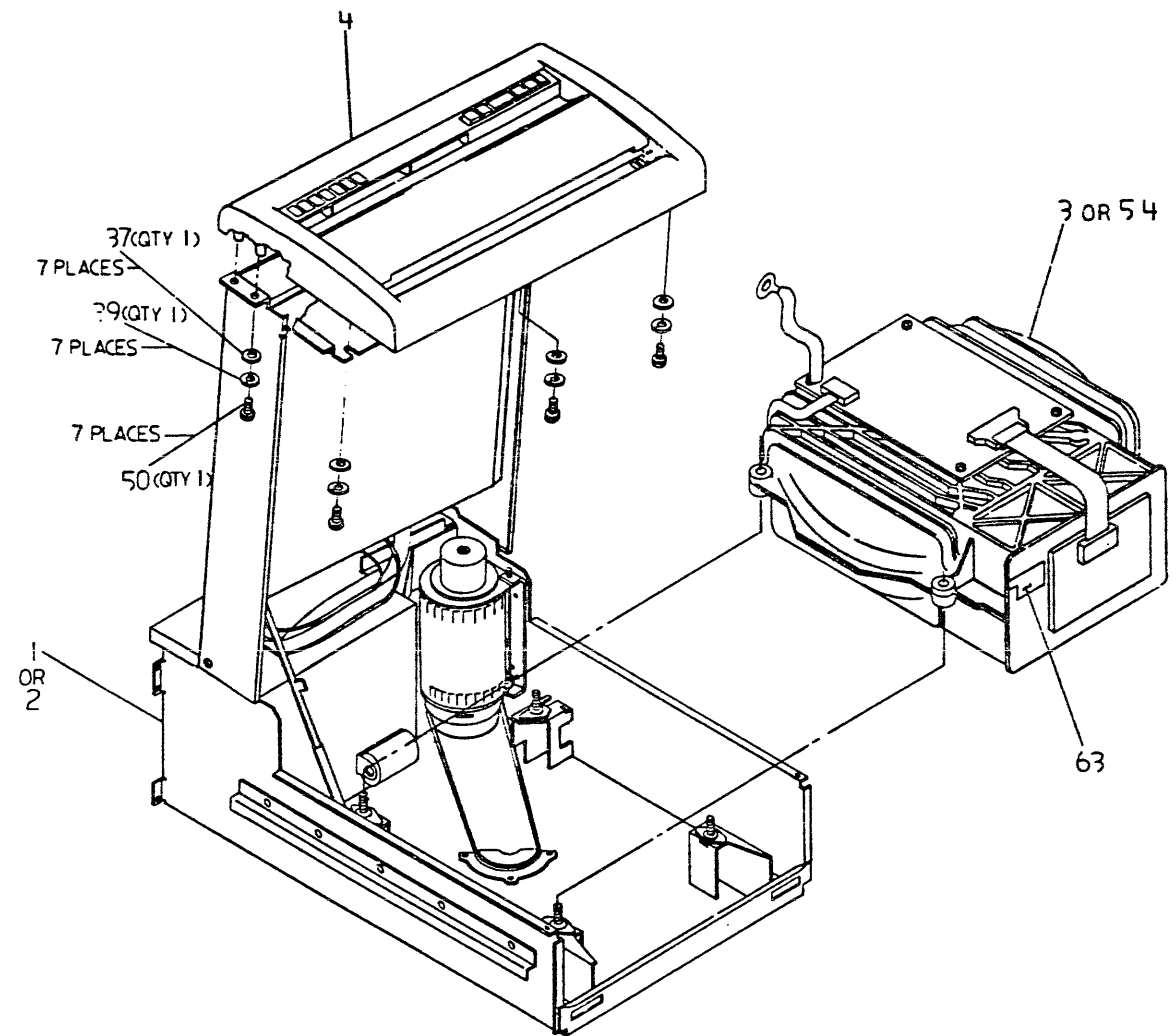
D	I	G	I	T	A	L	TITLE	SECTION B OF 3	SIZE CODE	DOCUMENT NUMBER	REV
							RA81 SHIP CONFIGURATION			RA81-0-DBP	N

THIS DRAWING AND SPECIFICATIONS HEREBY ARE THE PROPERTY OF DIGITAL EQUIPMENT CORPORATION AND SHALL NOT BE REPRODUCED OR COPIED IN WHOLE OR IN PART AS THE BASIS FOR THE MANUFACTURE OF ANY OF THE ARTICLES SET FORTH HEREON. COPYRIGHT © 1981, DIGITAL EQUIPMENT CORPORATION.

DAD7019062-0-0

LEGEND		
PART NO.	VARIATION	PART REV
70-19062-01	60HZ, 120V 16 BIT	SI
70-19062-02	50HZ, 240V 16 BIT	SI
70-19062-03	60HZ, 120V 16 BIT	SI
70-19062-04	50HZ, 240V 16 BIT	SI

- NOTES:
- ADJUST BELT TO 23 ± 2 LBS. TENSION. ~~SHIPPING BRACKET. TIGHTEN BOLT BETWEEN MOTOR MOUNT AND SHIPPING BRACKET. SNUG AGAINST SHIPPING BRACKET, THEN LOCK IN PLACE BY TIGHTENING NUT ON FRONT SIDE OF SHIPPING BRACKET.~~
 - APPLICATION FOR BEST ADHESION:
 - REMOVE BACK PAPER PER VENDOR.
 - CLEAN BEZEL SURFACE WITH SOLVENT (ISOPROPYL ALCOHOL).
 - RUB ALL LETTERING TO CLEAN AREA BEFORE REMOVING FRONT PAPER FROM DECAL USING A DULL ROUNDED INSTRUMENT. WHEN REMOVING FRONT PAPER, FOLLOW INSTRUCTIONS ON DECAL PER VENDOR.
 - ~~INSTALL POWER SUPPLY (H7660C-D) FIRST, THEN MOUNT DRIVE BULKHEAD BRACKET (7427189-01).~~
 - ~~ITEMS NO. 43 AND 44 ARE PACKAGED FOR SHIPMENT WITH DRIVE ASSEMBLY.~~
 - ~~ALL 8 TEST POINTS OF TPI ON THE PERSONALITY BOARD (ITEM 7) MUST BE TRIMMED AS CLOSE AS POSSIBLE TO THE PLASTIC HOUSING TO PREVENT INTERFERENCE WITH ITEM 26 CONNECTOR.~~
 - ~~SECURE POWER CORD FOR SHIPPING USING ITEM 51.~~
 - TIGHTEN NUTS FIRMLY AGAINST SHIPPING BRACKETS DURING SHIPPING AND AGAINST HDA AFTER REMOVAL OF SHIPPING BRACKETS. APPROXIMATE TORQUE VALUE 1-25 IN. LBS.



DATE	REVISION HISTORY	DOC PART REV
8/1/85	REVISION HISTORY	01-LI
8/1/85	REVISED PER 7019062-CX11A (UR 5 MAR 85) J. READ	02-LI
8/1/85		03-LI
8/1/85		04-LI
4/20/86	7019062-CX012 RPM 01 APR 85 J. READ	01-MI
8/1/86		02-MI
8/1/86		03-MI
8/1/86		04-MI
4/19/87	RAB1-A-CX003 RPM 16 MAY 85 J. READ	01-PI
8/1/87		02-PI
8/1/87		03-PI
4/29/88	7019062-CX013 5 HANDRACIA S. CHANDRACIA	01-PI
8/1/88		02-PI
8/1/88		03-PI
8/1/88		04-PI
8/1/88		05-PI
8/1/88		06-PI
8/1/88		07-PI
8/1/88		08-PI
8/1/88		09-PI
8/1/88		10-PI
8/1/88		11-PI
8/1/88		12-PI
8/1/88		13-PI
8/1/88		14-PI
8/1/88		15-PI
8/1/88		16-PI
8/1/88		17-PI
8/1/88		18-PI
8/1/88		19-PI
8/1/88		20-PI
8/1/88		21-PI
8/1/88		22-PI
8/1/88		23-PI
8/1/88		24-PI
8/1/88		25-PI
8/1/88		26-PI
8/1/88		27-PI
8/1/88		28-PI
8/1/88		29-PI
8/1/88		30-PI
8/1/88		31-PI
8/1/88		32-PI
8/1/88		33-PI
8/1/88		34-PI
8/1/88		35-PI
8/1/88		36-PI
8/1/88		37-PI
8/1/88		38-PI
8/1/88		39-PI
8/1/88		40-PI
8/1/88		41-PI
8/1/88		42-PI
8/1/88		43-PI
8/1/88		44-PI
8/1/88		45-PI
8/1/88		46-PI
8/1/88		47-PI
8/1/88		48-PI
8/1/88		49-PI
8/1/88		50-PI

CAUTION: OFF SHEET PARTS LIST EXISTS. SEE K-PL-7019062-0-DBP (Z 2917).

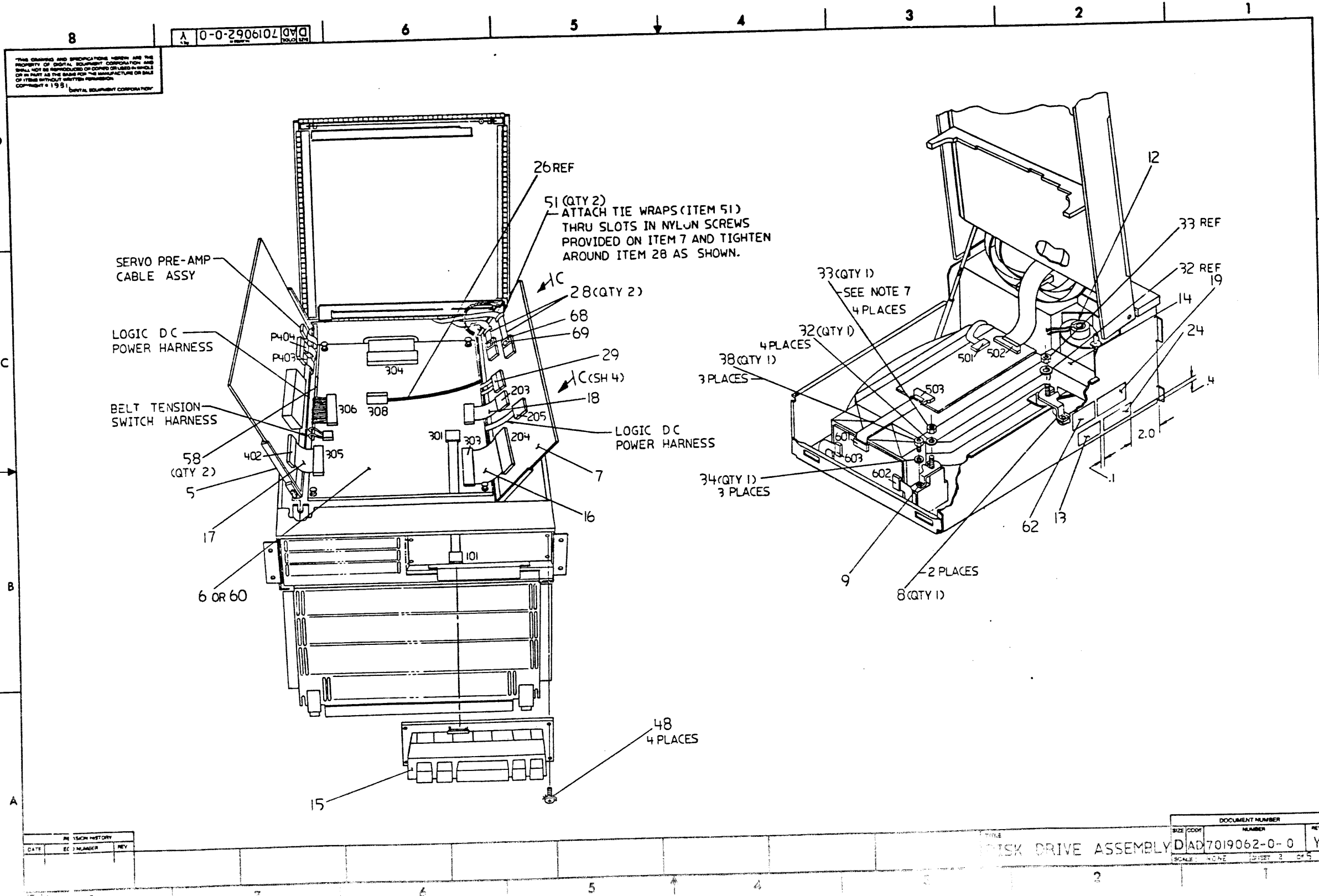
TOP DOC: K-DD-7019062-0-DBU

DESCRIPTION	DRAWING NO.	PART NO.	ITEM NO.								
UNLESS OTHERWISE SPECIFIED DIMENSIONS ARE IN INCHES AND THE FOLLOWING TOLERANCES APPLY (PER DEC STD 114)											
INCHES TOLERANCES	ANGLES ± 0°30'	APPLICABLE DIMENSION RANGE	DIMENSION RANGE IN INCHES								
			OVER 0 TO 0.2	OVER 0.2 TO 0.4	OVER 0.4 TO 0.6	OVER 0.6 TO 0.8	OVER 0.8 TO 1.0	OVER 1.0 TO 1.2	OVER 1.2 TO 1.5	OVER 1.5 TO 2.0	OVER 2.0 TO 3.0
SURFACE QUALITY		CHECK ONE									
<input checked="" type="checkbox"/> 2 = ± .1 <input checked="" type="checkbox"/> 3 = ± .08 <input checked="" type="checkbox"/> 4 = ± .05		<input type="checkbox"/> ± .004 <input type="checkbox"/> ± .003 <input type="checkbox"/> ± .012 <input type="checkbox"/> ± .016 <input type="checkbox"/> ± .024 <input type="checkbox"/> ± .030									
QUANTITY & VARIATION	THIRD ANGLE PROJECTION	DATE	TITLE								
	<input checked="" type="checkbox"/>	8 MAR 82	digital								
	DO NOT SCALE DRAWING	DATE	DISK DRIVE ASSEMBLY								
	REMOVE BURRS AND BREAK SHARP CORNERS	DATE									
MATERIAL	DATE	DOCUMENT NUMBER									
	DATE	D AD7019062-0-0									
FRESH	NEXT REVISION	SCALE: NONE									
	E-UA-RAB1-0-0	SHEET 1 OF 5									

DAD7019062-0-0

LAD 7019062-0-0

5

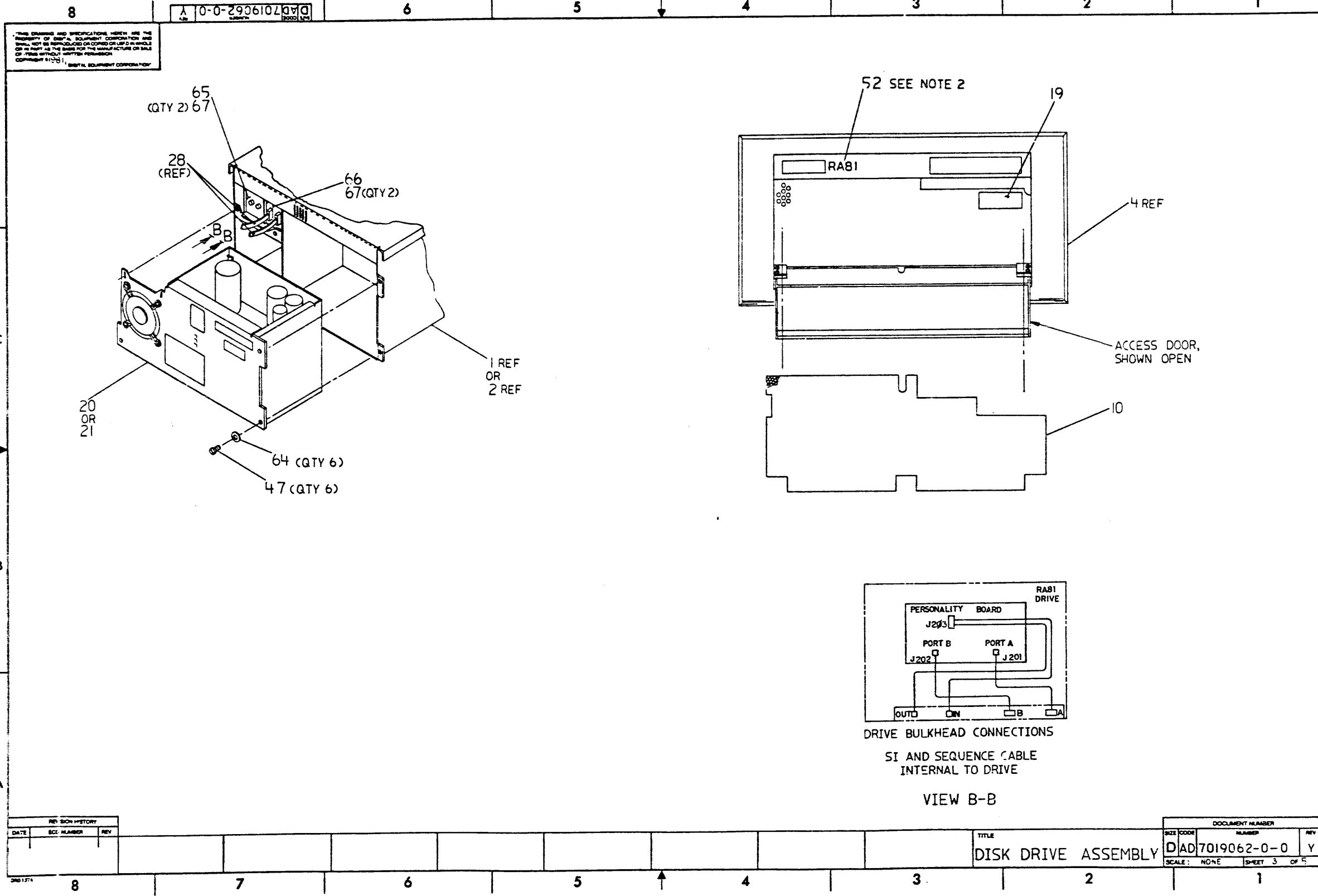


DAD 7019062-0-0

2 of 5

REVISION HISTORY			
DATE	EC NUMBER	REV	

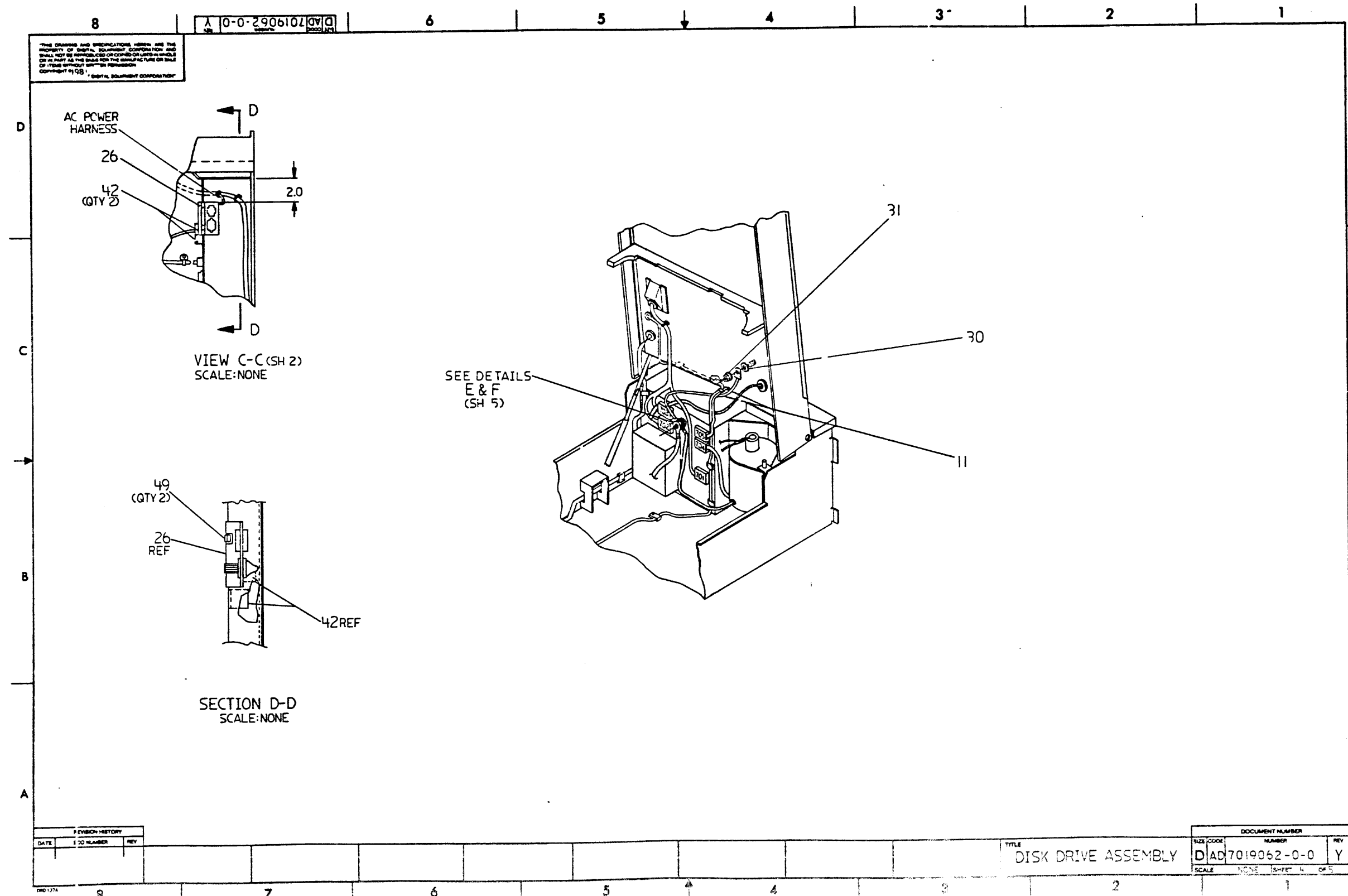
DOCUMENT NUMBER			
SIZE	CODE	NUMBER	REV
		DAD 7019062-0-0	Y
SCALE: NONE		SHEET 3 OF 5	



DAD 7019062-0-0

30F 5

THE DIMENSIONS AND SPECIFICATIONS HEREIN ARE THE PROPERTY OF DIGITAL EQUIPMENT CORPORATION AND SHALL NOT BE REPRODUCED OR COPIED OR LENT IN WHOLE OR IN PART AS THE BASIS FOR THE MANUFACTURE OR SALE OF ITEMS WITHOUT WRITTEN PERMISSION. COPYRIGHT © 1981, DIGITAL EQUIPMENT CORPORATION.



SEE DETAILS
E & F
(SH 5)

VIEW C-C (SH 2)
SCALE: NONE

SECTION D-D
SCALE: NONE

REVISION HISTORY		
DATE	ISSUE NUMBER	REV

TITLE		DOCUMENT NUMBER	
DISK DRIVE ASSEMBLY		DAD7019062-0-0	Y
SCALE	NONE	SHEET	4 OF 5

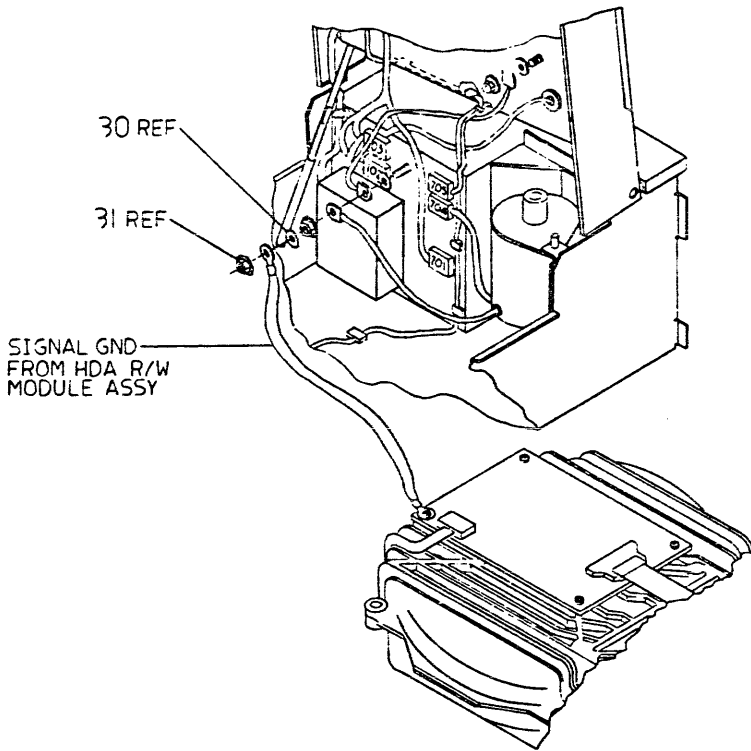
DAD 7019062-0-0

DAD 7019062-0-0

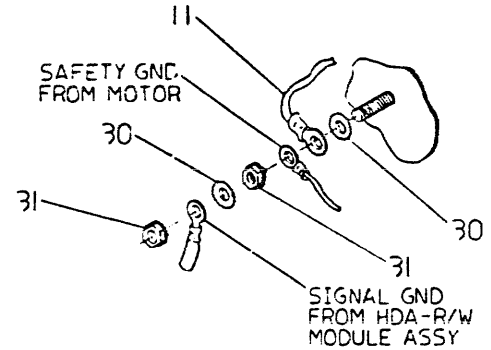
4 of 5

8 7 6 5 4 3 2 1

ALL DIMENSIONS AND SPECIFICATIONS CONTAINED HEREIN ARE CONSIDERED TO BE THE PROPERTY OF THE EQUIPMENT CORPORATION AND SHALL NOT BE REPRODUCED OR FORWARDED OR USED IN WHOLE OR IN PART AS THE BASIS FOR THE MANUFACTURE OR SALE OF THIS ARTICLE, IN ANY MANNER, WITHOUT THE WRITTEN CONSENT OF THE EQUIPMENT CORPORATION. THIS IS A U.S. GOVERNMENT WORK AND IS NOT TO BE REPRODUCED IN ANY MANNER WITHOUT THE WRITTEN CONSENT OF THE FEDERAL GOVERNMENT.



DETAIL E (SH 4)



DETAIL F (SH 4)

REVISION HISTORY		
REV	ED. NUMBER	DATE

TITLE
DISK DRIVE ASSEMBLY

DOCUMENT NUMBER		
SIZE CODE	NUMBER	REV
D	AD 7019062-0-0	Y
SCALE 1:1		SHEET 5 OF 5

8 7 6 5 4 3 2 1

DAD 7019062-0-0

5 of 5

AUTOMATED BY VAXKPL (V1.2)
 LINE ITEM TOP DOCUMENT

PARTS LIST
 PART NUMBER MIN REV DESCRIPTION

QUANTITY PER VARIATION/REVISION
 01 02 03 04
 S1 S1 S1 S1

1	1	D-AD-7018446-0-0	70-18446-04		DISK DRIVE,BASIC,120V,60HZ,RA81	1	-	1	-
2	2	D-AD-7018446-0-0	70-18446-05		DISK DRIVE, BASIC, 240V, 50HZ, RA8	-	1	-	1
3	3	C-AD-7019044-0-0	70-19044-01		HDA R/W MODULE ASSEMBLY	1	1	-	-
4	4	K-IA-7021593-0-DBU	70-21593-01		BEZEL ASSEMBLY	1	1	1	1
5	5	D-AD-7019045-0-0	70-19045-01		SERVO BD AND STIFF ASSEMBLY	1	1	1	1
6	6		54-15247-00		R81 MICRO PROCESSOR MODULE	1	1	1	1
7	7	D-AD-7019046-0-0	70-19046-01		PERSONALITY BD AND STIFF ASSY	1	1	1	1
8	8	K-MD-7429716-0-DBU	74-29716-01	A	BRACKET, SHIPPING, L. I.	2	2	2	2
9	9	K-MD-7429716-0-DBU	74-29716-02		BRACKET,SHIPPING,R.H.	1	1	1	1
10	10	K-MD-7429721-0-DBU	74-29721-01	A	FILTER,FOAM	1	1	1	1
11	11		12-13756-09		GROUND STRAP,9"LG	1	1	1	1
12	12	K-MD-7429713-0-DBU	74-29713-01	A	BLOCK,MOTOR SHIPPING	1	-	1	-
13	13		36-17880-03		LABEL,FCC,CLASS A,PERIPHERAL	1	1	1	1
14	14	K-MD-7431354-0-DBU	74-31354-02	A	BLOCK,DAMPER,MOTOR	1	1	1	1
15	15	B-DD-5414927-0-0	54-15927-01		VS31 UNIBUS CONTROL MODULE	1	1	1	1
16	16	C-IA-7016737-0-0	70-16737-00		DATA 40 CABLE ASSY.	1	1	1	1
17	17	C-IA-7016737-0-0	70-16737-01		R80 DATA 40 CABLE ASSY	1	1	1	1
18	18	C-IA-7016738-0-0	70-16738-00		DATA 20 CABLE ASSY (DCL)	1	1	1	1
19	19		36-21711-05	A	LABEL,BAR CODE 2.20X .90	3	3	3	3
20	20	D-UA-H7660-0-0	H7660-C		H7660-A IMPROVED FOR ALL RA- DISK	1	-	1	-
21	21	D-UA-H7660-0-0	H7660-D		H7660-B IMPROVED FOR ALL RA- DISK	-	1	-	1
22	22				*** THIS ITEM IS NOT USED ***	-	-	-	-
23	23				*** THIS ITEM IS NOT USED ***	-	-	-	-
24	24		36-17674-01	E	LABEL,SERIAL/POWER W UL & CSA LO	1	1	1	1
25	25				*** THIS ITEM IS NOT USED ***	-	-	-	-
26	26	D-AD-7020018-0-0	70-20018-01		HHT CABLE AND BRACKET ASSEMBLY	1	1	1	1
27	27		37-00588-00		PKG DISK DRIVE R80	REF	REF	REF	REF
28	28		17-00465-03	A	CABLE,COAX,ASSY,SI SHIELDED RIBBON	2	2	2	2
29	29	D-IA-7019691-0-0	70-19691-1J		DRIVE SEQ CABLE ASSY 20"-(1'-8")	1	1	1	1
30	30		90-07651-00		WASHER,LOCK EXTERNAL STEEL	3	3	3	3
31	31		90-06565-00		NUT,HEX EXT TOOTH LCKWSHR 10-32X	3	3	3	3
32	32		90-07983-00		WASHER,FLAT SST	4	4	4	4

REVISION HISTORY			KPL MATRIX FORMAT SECTION A OF A		DRN: K. DAVIS	DIGITAL				
ENG	ECO NUMBER	REV	SECTION/VARIATION INDEX		DATE: 01-APR-85	TITLE PARTS LIST				
JR	7019062-CX005	J	[A]	01,02,03,04	DATE: 01-APR-85	DISK DRIVE ASSEMBLY				
JR	7019062-CX006	K	[B]		DES.ENG: F. BERNETT	DOCUMENT NUMBER				
JR	7019062-CX007	L	[C]		DATE: 01-APR-85	SIZE	CODE	NUMBER	REV	
JR	7019062-CX008	M	[D]		RESP.ENG.: M. HAMMER	K	PL	7019062-0-DBP	Y	
JR	7019062-CX009	N	[E]		DATE: 01-APR-85	RELEASE DATE: 24-JUN-86				
JN	RA81-CX009	P	[F]		MFG.ENG: D. SAJDAK	RELEASE STATUS: RELEASED				
JR	7019062-CX010	R	[H]		DATE: 01-APR-85					
JR	7019062-CX011	S	[J]							
JR	7019062-CX012	T								
JR	7019062-CX013	U								
JR	7019062-CX014	V								
JR	7019062-CX015	W								
JR	7019062-CX015	Y								
			BASIC PART NUMBER:	ASSEMBLY NUMBER:	TOP DOCUMENT NUMBER:	FILE NAME:	EDIT #			
			7019062	D-AD-7019062-0-0	K-DD-7019062-0-DBU	Z2917Y.PLS	4			

R.W.
 1 JUL
 86

"THIS DRAWING AND THE SPECIFICATIONS CONTAINED HEREIN ARE CONFIDENTIAL AND PROPRIETARY. THEY ARE THE PROPERTY OF DIGITAL EQUIPMENT CORPORATION AND SHALL NOT BE REPRODUCED OR COPIED OR USED IN WHOLE OR IN PART AS THE BASIS FOR THE MANUFACTURE OR SALE OF ITEMS WITHOUT WRITTEN PERMISSION. THIS IS AN UNPUBLISHED WORK PROTECTED UNDER THE FEDERAL COPYRIGHT LAWS."

LINE	ITEM	TOP DOCUMENT	PART NUMBER	MIN REV	DESCRIPTION	QUANTITY PER VARIATION/REVISION			
						01 S1	02 S1	03 S1	04 S1
33	33		90-08203-00		NUT,HEX EXT TOOTH LCKWSHR 1/4-20X	4	4	4	4
34	34		90-07906-00		WASHER,HELICAL SPLIT STEEL	3	3	3	3
35	35		90-06664-00		*** THIS ITEM IS NOT USED ***	-	-	-	-
36	36		90-09966-00		*** THIS ITEM IS NOT USED ***	-	-	-	-
37	37		90-06660-00		WASHER,FLAT SST	7	7	7	7
38	38		90-06346-08	A	SCREW,CAP SOC HEX 10-24	3	3	3	3
39	39		90-06690-00	CR	WASHER,HELICAL SPLIT SST	7	7	7	7
40	40	#SEE NOTE 4 ON DWG	36-18940-01		LABEL,SW. MARKER	1	1	1	1
41	41		90-06352-08		*** THIS ITEM IS NOT USED ***	-	-	-	-
42	42		90-09636-00		CLAMP,CABLE ADH MNT	2	2	2	2
43	43	D-AD-7018340-0-0	70-18340-02		I/O BULKHEAD DRIVE RA81/RA60	1	1	1	1
44	44				*** THIS ITEM IS NOT USED ***	-	-	-	-
45	45		90-06632-00		*** THIS ITEM IS NOT USED ***	-	-	-	-
46	46		90-06011-01		*** THIS ITEM IS NOT USED ***	-	-	-	-
47	47		90-09682-01	CR	SCREW,MACH HEXKWW SLOT 8-32	6	6	6	6
48	48		90-10532-01		SCREW,SEMS PAN PHIL 6-32	4	4	4	4
49	49		90-09748-00		CLIP,"U", .50 LG X .34 HIGH X .132	2	2	2	2
50	50		90-06037-01	CR	SCREW,MACH PAN PHIL 8-32	7	7	7	7
51	51		90-10266-00		TIE,CABLE 7.312L	2	2	2	2
52	52		36-17314-01		LABEL,RUB-ON RA81	1	1	1	1
53	53		90-08264-00		*** THIS ITEM IS NOT USED ***	-	-	-	-
54	54	C-AD-7019044-0-0	70-19044-02		HDA-R/W MODULE ASSEMBLY (18 BIT)	-	-	1	1
55	55		90-09963-00		*** THIS ITEM IS NOT USED ***	-	-	-	-
56	56		12-20320-01		*** THIS ITEM IS NOT USED ***	-	-	-	-
57	57	D-IA-7427189-0-0	74-27189-01		*** THIS ITEM IS NOT USED ***	-	-	-	-
58	58		90-09718-04	E	GROMMET,STRIP STYRENE	2	2	2	2
59	59		90-07031-00	B	*** THIS ITEM IS NOT USED ***	-	-	-	-
60	60	SEE NOTE # 60	54-15247-01		MICROPROCESSOR/DAUGHTER BOARD	REF	REF	REF	REF
61	61		90-06655-00		*** THIS ITEM IS NOT USED ***	-	-	-	-
62	62		36-15710-00		LABEL,PAPER FORM FEED	1	1	1	1
63	63		36-18565-01	B	LABEL,ATTENTION	1	1	1	1
64	64		90-06661-00		WASHER,FLAT SST	6	6	6	6
65	65	D-IA-7021590-0-0	70-21590-01		SEQUENCE CABLE/PANEL ASSEMBLY	1	1	1	1
66	66	K-IA-7429005-0-DBU	74-29005-01	A	PLATE,I/O COMMON	1	1	1	1
67	67	SEE NOTE # 67	12-19534-01	B	SCREW, CAPTV SLOT 4-40	4	4	4	4
68	68		36-16923-40	A	LABEL,PORT IDENT "A"	1	1	1	1
69	69		36-16923-41	A	LABEL,PORT IDENT "B"	1	1	1	1

60 NOTE: ITEM 60, 54-15247-00 AND 54-15247-01 CAN BE USED INTERCHANGEABLY.
 67 NOTE: ITEM 67, 12-19534-02 IS AN ACCEPTABLE SUBSTITUTE FOR 12-19534-01.

1 GEN:	PART NUMBER	VARIATION
2 GEN:	70-19062-01	120V, 60HZ, 16 BIT
3 GEN:	70-19062-02	240V, 50HZ, 16 BIT
4 GEN:	70-19062-03	120V, 60HZ, 18 BIT
5 GEN:	70-19062-04	240V, 50HZ, 18 BIT

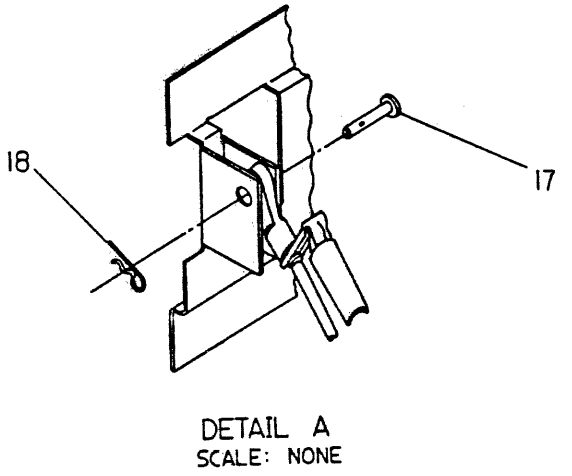
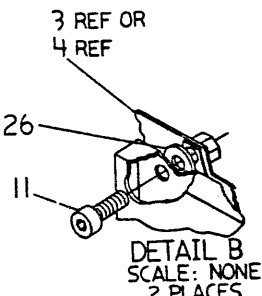
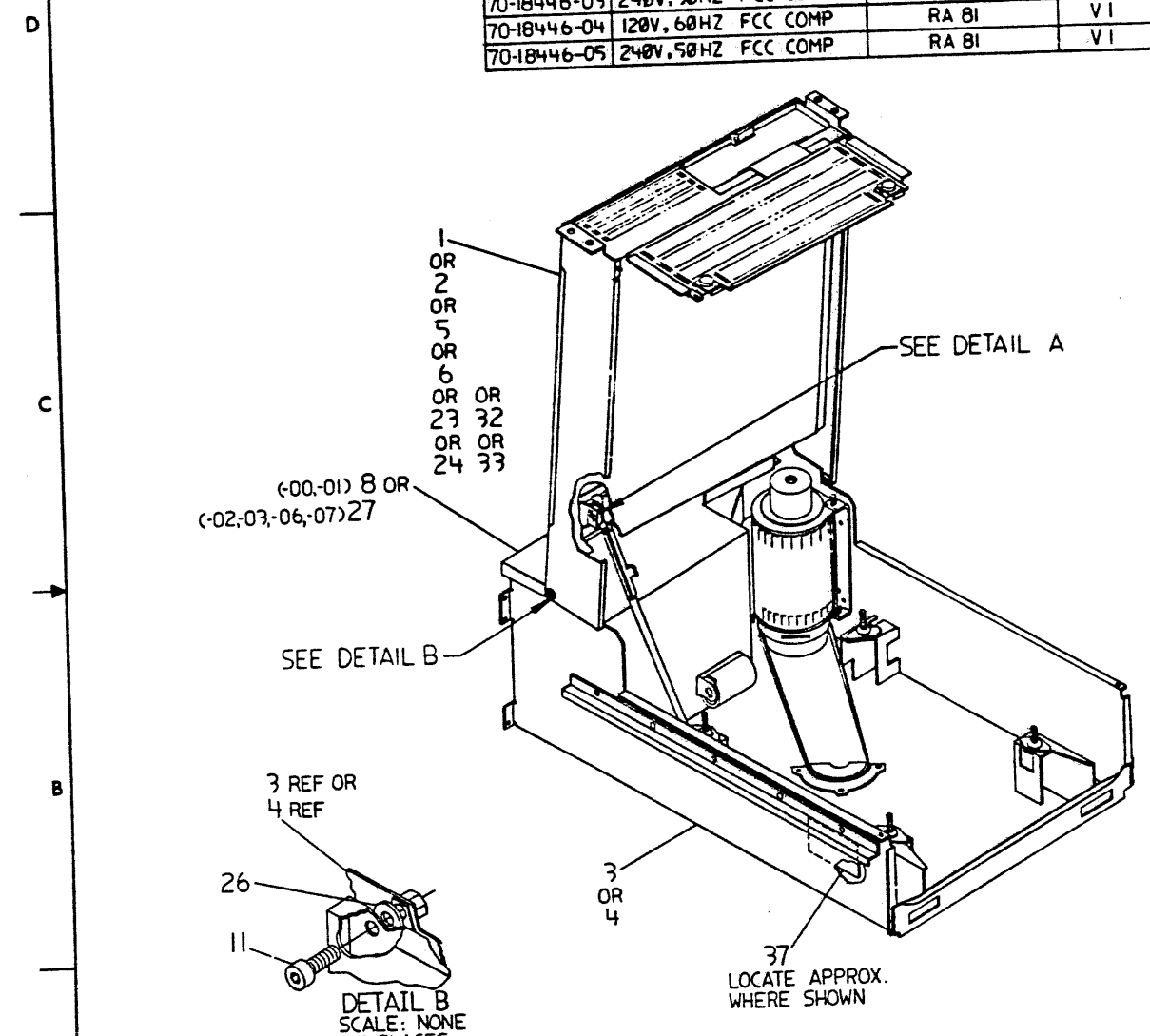
D I G I T A L						TITLE	SECTION A OF A	SIZE	CODE	DOCUMENT NUMBER	REV
						DISK DRIVE ASSEMBLY		K	PL	7019062-0-DBP	Y

THIS DRAWING AND SPECIFICATIONS HEREIN ARE THE PROPERTY OF DIGITAL EQUIPMENT CORPORATION AND SHALL NOT BE REPRODUCED OR COPIED IN WHOLE OR IN PART AS THE BASIS FOR THE MANUFACTURE OR SALE OF ANY ITEM WITHOUT WRITTEN PERMISSION. COPYRIGHT © 1976, DIGITAL EQUIPMENT CORPORATION

REV 0-0-9446-0-0

LEGEND			
PART NO.	VARIATION	WHERE USED	PART REV
70-18446-00	120V, 60HZ NON FCC	RM 80	S2
70-18446-01	240V, 50HZ NON FCC	RM 80	S2
70-18446-02	120V, 60HZ FCC COMP	RA 80	V1
70-18446-03	240V, 50HZ FCC COMP	RA 80	V1
70-18446-04	120V, 60HZ FCC COMP	RA 81	V1
70-18446-05	240V, 50HZ FCC COMP	RA 81	V1

LEGEND CONT.			
PART NO.	VARIATION	WHERE USED	PART REV
70-18446-06	120V, 60HZ FCC COMP	R80 AE/AJ	W1
70-18446-07	240V, 50HZ FCC COMP	R80 AE/AJ	W1



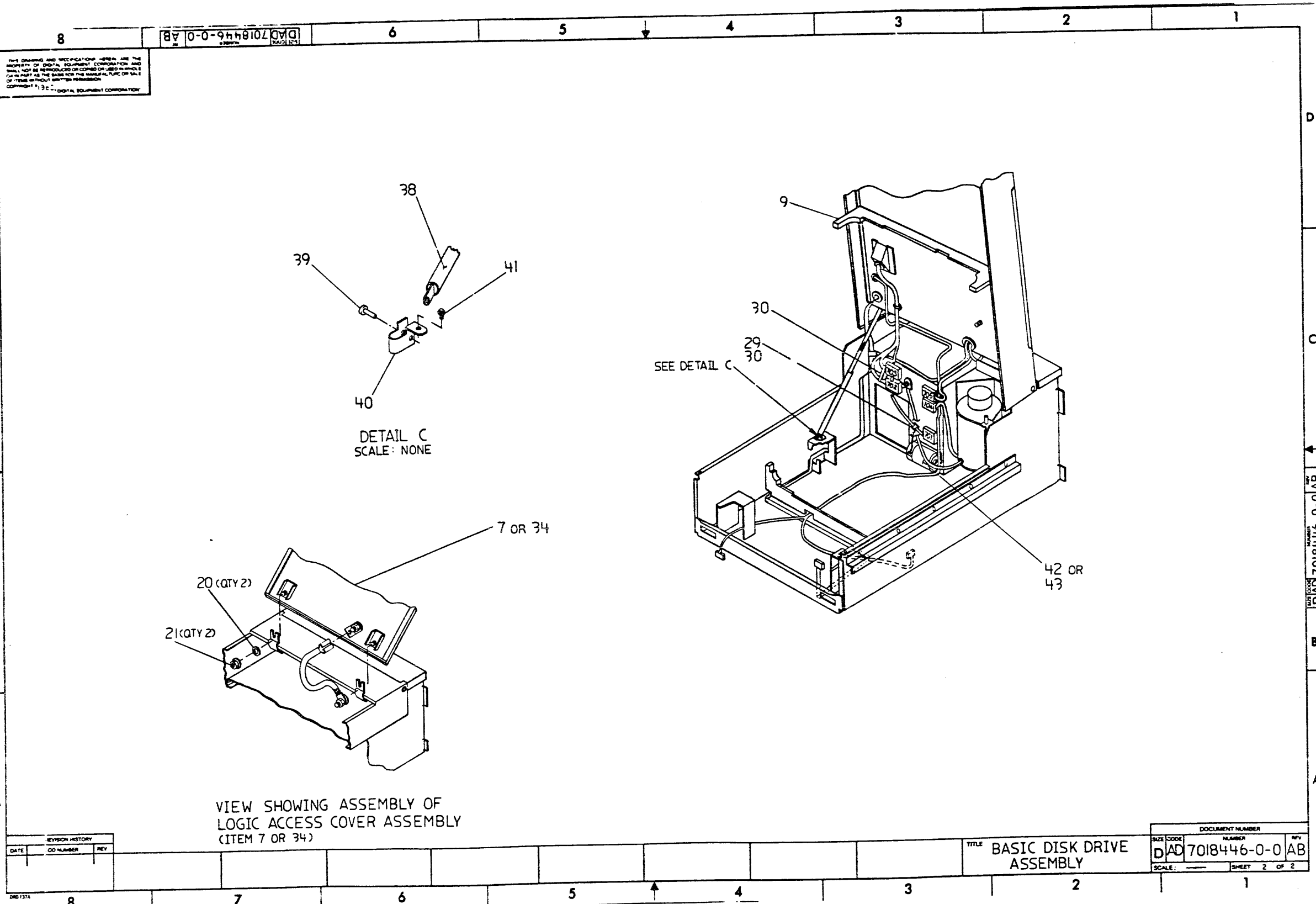
DATE	BY	REVISION	DESCRIPTION
01/18/85	J. READ	01	REVISED TO 70-18446-0-0
04/18/85	J. READ	02	REVISED TO 70-18446-0-0
05/05/85	J. READ	03	REVISED TO 70-18446-0-0
06/07/85	J. READ	04	REVISED TO 70-18446-0-0
08/01/85	J. READ	05	REVISED TO 70-18446-0-0
09/05/85	J. READ	06	REVISED TO 70-18446-0-0
11/11/85	J. READ	07	REVISED TO 70-18446-0-0
02/05/86	J. READ	08	REVISED TO 70-18446-0-0
02/06/86	J. READ	09	REVISED TO 70-18446-0-0
06/07/86	J. READ	10	REVISED TO 70-18446-0-0
08/01/86	J. READ	11	REVISED TO 70-18446-0-0
10/01/86	J. READ	12	REVISED TO 70-18446-0-0
12/01/86	J. READ	13	REVISED TO 70-18446-0-0
01/01/87	J. READ	14	REVISED TO 70-18446-0-0
03/01/87	J. READ	15	REVISED TO 70-18446-0-0
05/01/87	J. READ	16	REVISED TO 70-18446-0-0
07/01/87	J. READ	17	REVISED TO 70-18446-0-0
09/01/87	J. READ	18	REVISED TO 70-18446-0-0
11/01/87	J. READ	19	REVISED TO 70-18446-0-0
01/01/88	J. READ	20	REVISED TO 70-18446-0-0
03/01/88	J. READ	21	REVISED TO 70-18446-0-0
05/01/88	J. READ	22	REVISED TO 70-18446-0-0
07/01/88	J. READ	23	REVISED TO 70-18446-0-0
09/01/88	J. READ	24	REVISED TO 70-18446-0-0
11/01/88	J. READ	25	REVISED TO 70-18446-0-0
01/01/89	J. READ	26	REVISED TO 70-18446-0-0
03/01/89	J. READ	27	REVISED TO 70-18446-0-0
05/01/89	J. READ	28	REVISED TO 70-18446-0-0
07/01/89	J. READ	29	REVISED TO 70-18446-0-0
09/01/89	J. READ	30	REVISED TO 70-18446-0-0
11/01/89	J. READ	31	REVISED TO 70-18446-0-0
01/01/90	J. READ	32	REVISED TO 70-18446-0-0
03/01/90	J. READ	33	REVISED TO 70-18446-0-0
05/01/90	J. READ	34	REVISED TO 70-18446-0-0
07/01/90	J. READ	35	REVISED TO 70-18446-0-0
09/01/90	J. READ	36	REVISED TO 70-18446-0-0
11/01/90	J. READ	37	REVISED TO 70-18446-0-0

CAUTION: OFF-SHEET PARTS LIST EXISTS. SEE K-PL-7018446-0-DBP(ZZ177).

TOP DOC: K-DD-7018446-0-DBU

DESCRIPTION	DRAWING NO.	PART NO.	ITEM
UNLESS OTHERWISE SPECIFIED DIMENSIONS ARE IN INCHES AND THE FOLLOWING TOLERANCES APPLY (PER DEC STD 113)			
INCHES TOLERANCES	ANGLES ± 0° 30'	DIMENSION RANGE IN INCHES	
		OVER 0.5 TO 1.0	OVER 1.0 TO 3.0
X = ± 0.1	SURFACE QUALITY	OVER 3.0 TO 6.0	OVER 6.0 TO 12.0
XX = ± 0.2		OVER 12.0 TO 24.0	OVER 24.0 TO 48.0
XXX = ± 0.5	✓	OVER 48.0 TO 96.0	OVER 96.0 TO 192.0
THIRD ANGLE PROJECTION	DATE 10 OCT 80	TITLE BASIC DISK DRIVE ASSEMBLY	
DO NOT SCALE DRAWING	DATE 8 APR 81	DOCUMENT NUMBER	
REMOVE BURRS AND BREAK SHARP CORNERS	DATE 8 APR 81	D AD 7018446-0-0 AB	
SEE PARTS LIST	DATE 7 Nov 81	SCALE	
EUA-R80-00			

DAD 7018446-0-0 AB



THIS DRAWING AND SPECIFICATIONS HEREAFTER USE THE PROPERTY OF DIGITAL EQUIPMENT CORPORATION AND SHALL NOT BE REPRODUCED OR COPIED OR USED IN WHOLE OR IN PART AS THE BASIS FOR THE MANUFACTURE OF ANY OF THESE OR OTHER DIGITAL EQUIPMENT CORPORATION COPYRIGHT © 1972

DETAIL C
SCALE: NONE

VIEW SHOWING ASSEMBLY OF
LOGIC ACCESS COVER ASSEMBLY
(ITEM 7 OR 34)

REVISION HISTORY		
DATE	CD NUMBER	REV

TITLE BASIC DISK DRIVE
ASSEMBLY

DOCUMENT NUMBER		
SIZE	CODE	NUMBER
D	AD	7018446-0-0
SCALE:	SHEET 2 OF 2	

DAD 7018446-0-0

2 of 2

PARTS LIST

LINE ITEM	TOP DOCUMENT	PART NUMBER	MIN REV	DESCRIPTION	QUANTITY PER VARIATION/REVISION							
					00 S2	01 S2	02 V1	03 V1	04 V1	05 V1	06 W1	07 W1
1	D-AD-7016773-0-0	70-16773-00		LOGIC CHASSIS ASSY (120V)	1	-	-	-	-	-	-	-
2	D-AD-7016773-0-0	70-16773-01		LOGIC CHASSIS ASSY (240V)	-	1	-	-	-	-	-	-
3	D-AD-7016741-0-0	70-16741-00		LOWER CHASSIS ASSY (60HZ, 120V)	1	-	1	-	1	-	1	-
4	D-AD-7016741-0-0	70-16741-01		LOWER CHASSIS ASSY (50HZ, 240V)	-	1	-	1	-	1	-	1
5	D-AD-7016773-0-0	70-16773-04		60HZ, RA81	-	-	-	-	1	-	-	-
6	D-AD-7016773-0-0	70-16773-05		50HZ, RA81	-	-	-	-	-	1	-	-
7	D-AD-7016990-0-0	70-16990-00		LOGIC ACCESS COVER ASSEMBLY	1	1	-	-	-	-	-	-
8	D-AD-7016782-0-0	70-16782-00		REAR COVER ASSEMBLY	1	1	-	-	-	-	-	-
9	K-IA-7021572-0-DBU	70-21572-01		HDA TOP BAFFLE ASSEMBLY	1	1	1	1	1	1	1	1
10	D-IA-7017615-0-0	70-17615-00		*** THIS ITEM IS NOT USED ***	-	-	-	-	-	-	-	-
11		90-00042-17 A		SCREW,HEX SOC HEX 5/16-18	2	2	2	2	2	2	2	2
12	B-IA-7016735-0-0	70-16735-00		*** THIS ITEM IS NOT USED ***	-	-	-	-	-	-	-	-
13		12-13756-09		*** THIS ITEM IS NOT USED ***	-	-	-	-	-	-	-	-
14		12-13756-03		*** THIS ITEM IS NOT USED ***	-	-	-	-	-	-	-	-
15		90-09636-00		*** THIS ITEM IS NOT USED ***	-	-	-	-	-	-	-	-
16		90-06565-00		*** THIS ITEM IS NOT USED ***	-	-	-	-	-	-	-	-
17		90-10210-01 A		PIN,CLEVIS 0.0430DX0.470LG	2	2	1	1	1	1	1	1
18		90-10211-00 A		CLIP,HITCH PIN .59 SPRW/ZINC	2	2	1	1	1	1	1	1
19		90-06036-01		*** THIS ITEM IS NOT USED ***	-	-	-	-	-	-	-	-
20		90-06659-00		WASHER,FLAT S/PAS	2	2	2	2	2	2	2	2
21		90-06560-00		NUT,HEX EXT TOOTH LCKWSHR 6-32X	2	2	2	2	2	2	2	2
22		12-21368-05 A		*** THIS ITEM IS NOT USED ***	-	-	-	-	-	-	-	-
23	D-AD-7016773-0-0	70-16773-02		LOGIC CHASSIS ASSY (60HZ,120V)	-	-	1	-	-	-	-	-
24	D-AD-7016773-0-0	70-16773-03		LOGIC CHASSIS ASSY (50HZ,240V)	-	-	-	1	-	-	-	-
25	D-AD-7019695-0-0	70-19695-01		*** THIS ITEM IS NOT USED ***	-	-	-	-	-	-	-	-
26		90-10204-00		WASHER,SPRING BELLEVLE SST	2	2	2	2	2	2	2	2
27	K-AD-7023205-0-DBU	70-23205-01		REAR COVER ASSEMBLY	-	-	1	1	-	-	1	1
28	D-AD-7019695-0-0	70-19695-02		*** THIS ITEM IS NOT USED ***	-	-	-	-	-	-	-	-
29		90-08264-00 A		MOUNT, CABLE TIE, ADHESIVE BACKED,	1	1	1	1	1	1	1	1
30		90-07032-00 D		TIE,CABLE BUNDL.DIA 0-1-3/4"=101	2	2	2	2	2	2	2	2
31		12-20952-01 A		SHIELD,EMI/RFI STRIPS COPPER	2	2	-	-	-	-	-	-
32	D-AD-7016773-0-0	70-16773-06		LOGIC CHASSIS ASSEMBLY 60HZ R80	-	-	-	-	-	-	1	-

REVISION HISTORY			KPL MATRIX FORMAT SECTION A OF A		DRN: R. NICOLAISEN		DIGITAL					
ENG	ECO NUMBER	REV	SECTION/VARIATION INDEX		DATE:	CHK'D:	PARTS LIST					
JR	7018446-CX006	M	[A]	00,01,02,03,04,05,06,07	17-JUL-84	D. MILLER	BASIC DISK DRIVE ASSEMBLY					
JR	RM80-CX009	N	[B]									
JR	7019062-CX004	P	[C]									
JR	7018446-CX007	R	[D]		17-JUL-84	G. NORDBERG	DOCUMENT NUMBER					
JR	R80-CX17A	S	[E]				SIZE	CODE	NUMBER	REV		
JR	7018446-CX008	T	[F]				K	PL	7018446-0-DBP	AB		
JR	7019062-CX009	U	[H]		17-JUL-84	G. NORDBERG	RELEASE DATE: 01-JUL-86					
JR	R80-CX23A	V	[J]				RELEASE STATUS: RELEASED					
JR	R80-CX24A	W			17-JUL-84	W. BASSETT						
JR	R80-CX25A	Y										
JR	7018446-CX09A	Z										
JR	7018446-CX10A	AA										
JR	7019062-CX015	AB										
			BASIC PART NUMBER:	ASSEMBLY NUMBER:	TOP DOCUMENT NUMBER:	FILE NAME:	EDIT #					
			7018446	D-AD-7018446-0-0	K-DD-7018446-0-DBU	Z2177AB.PLS	6					

R.W.
1/30/86
86

THIS DRAWING AND THE SPECIFICATIONS CONTAINED HEREIN ARE CONFIDENTIAL AND PROPRIETARY. THEY ARE THE PROPERTY OF DIGITAL EQUIPMENT CORPORATION AND SHALL NOT BE REPRODUCED OR COPIED OR USED IN WHOLE OR IN PART AS THE BASIS FOR THE MANUFACTURE OR SALE OF ITEMS WITHOUT WRITTEN PERMISSION. THIS IS AN UNPUBLISHED WORK PROTECTED UNDER THE FEDERAL COPYRIGHT LAWS.

AUTOMATED BY VAXKPL (V1.2)

PARTS LIST

SHEET A2 OF A2

LINE	ITEM	TOP DOCUMENT	PART NUMBER	MIN REV	DESCRIPTION	QUANTITY PER VARIATION/REVISION								
						00 S2	01 S2	02 V1	03 V1	04 V1	05 V1	06 W1	07 W1	
33	33	D-AD-7016773-0-0	70-16773-07		LOGIC CHASSIS ASSEMBLY 50HZ R80	-	-	-	-	-	-	-	-	1
34	34	D-AD-7019695-0-0	70-19695-03		LOGIC COVER ASSEMBLY (R80)	-	-	1	1	1	1	1	1	1
35	35		90-06710-00	A	*** THIS ITEM IS NOT USED ***	-	-	-	-	-	-	-	-	-
36	36				*** THIS ITEM IS NOT USED ***	-	-	-	-	-	-	-	-	-
37	37		36-18804-01	A	LABEL, LOCK INFORMATION	-	-	1	1	1	1	1	1	1
38	38		12-24693-02	A	SPRING, DAMPER	-	-	1	1	1	1	1	1	1
39	39		90-10210-00	A	PIN, CLEVIS 0.2250DX0.700LG MAX	-	-	1	1	1	1	1	1	1
40	40	B-MD-7422795-0-0	74-22795-01		GAS SPRING, PIVOT	-	-	1	1	1	1	1	1	1
41	41		90-10075-00	B	SCREW, THD RL, HEX PHIL F/METAL 8	-	-	1	1	1	1	1	1	1
42	42		10-16924-01		297 TO 324MFD 165V AL EL	-	-	1	-	1	-	1	-	-
43	43		10-19003-02		53 TO 64 MFD 330V AL EL	-	-	-	1	-	1	-	-	1

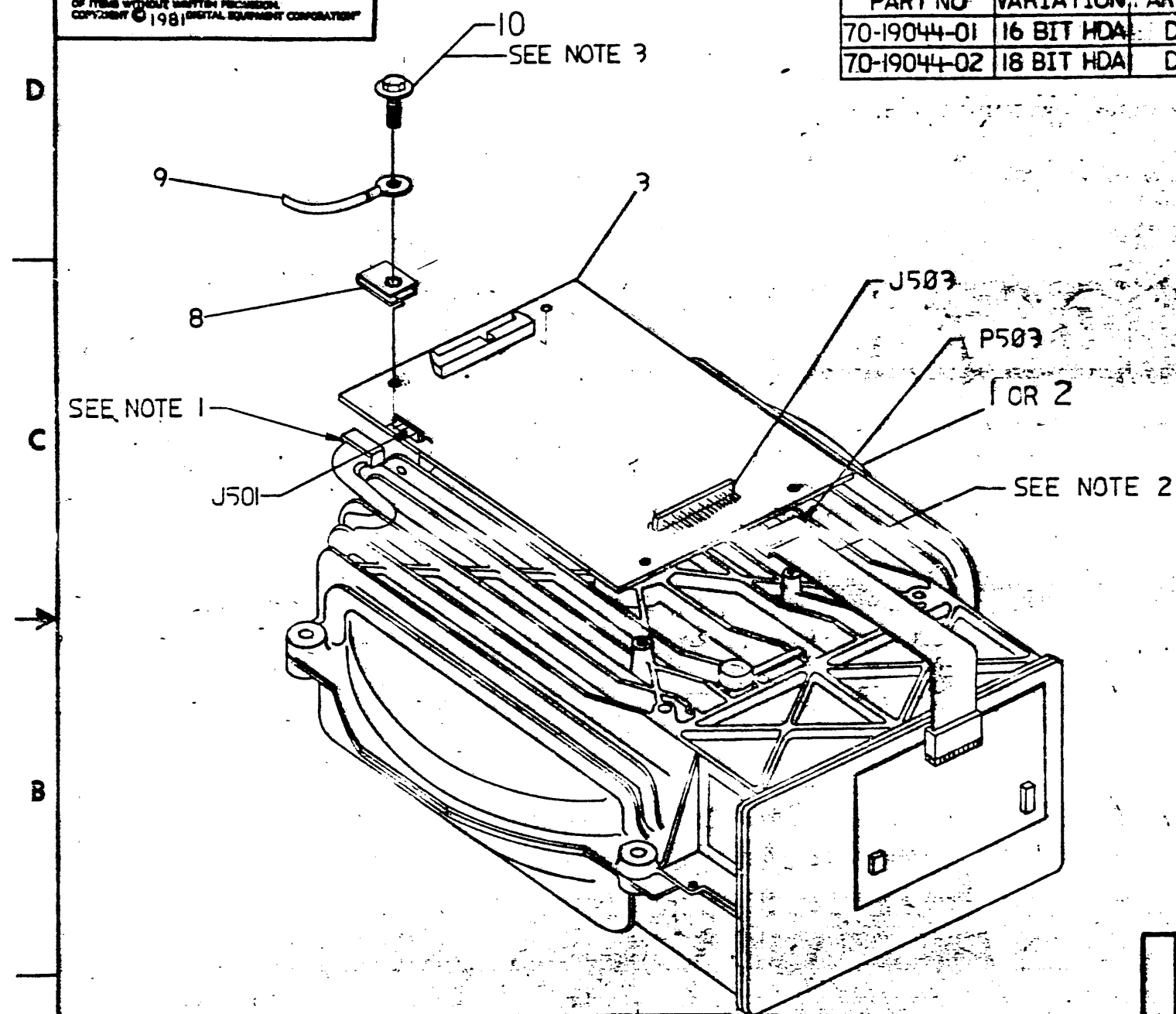
1 GEN:	2 GEN:	3 GEN:	4 GEN:	5 GEN:	6 GEN:	7 GEN:	8 GEN:	9 GEN:	10 GEN:	11 GEN:
	PART NUMBER									
	70-18446-00	DISK DRIVE, BASIC, 120V, 60HZ, NOT FCC COMPLIANT								
	70-18446-01	DISK DRIVE, BASIC, 240V, 50HZ, NOT FCC COMPLIANT								
	70-18446-02	DISK DRIVE, BASIC, 120V, 60HZ, FCC COMPLIANT R80								
	70-18446-03	DISK DRIVE, BASIC, 240V, 50HZ, FCC COMPLIANT R80								
	70-18446-04	DISK DRIVE, BASIC, 120V, 60HZ, R81 FCC COMPLIANT								
	70-18446-05	DISK DRIVE, BASIC, 240V, 50HZ, R81 FCC COMPLIANT								
	70-18446-06	DISK DRIVE, BASIC, 120V, 60HZ, R80-AE-AJ FCC COMPLIANT								
	70-18446-07	DISK DRIVE, BASIC, 240V, 50HZ, R80-AE-AJ FCC COMPLIANT								
	VARIATIONS -00 AND -01 ARE NO LONGER IN PRODUCTION.									

D	I	G	I	T	A	L	TITLE	SECTION A OF A	SIZE	CODE	DOCUMENT NUMBER	REV
							BASIC DISK DRIVE ASSEMBLY		K	PL	7018446-0-DBP	AB

THIS DRAWING AND SPECIFICATIONS HEREBY ARE THE PROPERTY OF DIGITAL EQUIPMENT CORPORATION AND SHALL NOT BE REPRODUCED OR COPIED OR USED IN WHOLE OR IN PART AS THE BASIS FOR THE MANUFACTURE OR SALE OF ITEMS WITHOUT WRITTEN PERMISSION.
COPYRIGHT © 1981 DIGITAL EQUIPMENT CORPORATION

LEGEND		
PART NO	VARIATION	PART REV
70-19044-01	16 BIT HDA	D2
70-19044-02	18 BIT HDA	D2

- NOTES:
1. CABLE FROM TRANSDUCER ASSEMBLY (PART OF ITEMS 1 OR 2 ON BOTTOM SIDE OF ITEMS 1 OR 2) TO BE ROUTED BETWEEN RIBS SHOWN ON BOTH SIDES OF HEAD/DISK ASSY (ITEMS 1 OR 2) AND PLUGGED INTO CONN J501 ON READ/WRITE MODULE (ITEM 3).
 2. ATTACH DATA CABLE (PART OF ITEM 1) TO J503 ON READ/WRITE MODULE (ITEM 3) ENSURING CABLE DOES NOT TWIST. LABEL TO BE READ FROM CONNECTOR (P503) END.
 3. TORQUE SCREWS (ITEM 5 & 10) TO 20±3 IN LBS.



CAUTION: OFF SHEET PARTS EXISTS. SEE K-PL-7019044-0-DBP (Z2914).
TOP DOC: C-AD-7019044-0-0

REV	DOC PART REV	DESCRIPTION
A	1592	7019062-CX001 MS. 26 OCT 82 F. BERNETT
B	1946	7019044-CX001 CB 30 APR 84 J. READ
C	40	7019044-CX002 CB 30 JUL 84 J. READ
D	4132	7019062-CX010 MH 6 NOV 84 M. CHERRY
E	4173	7019044-CX004 RAC 24 JUN 85 J. READ
F	4231	7019044-CX005 MH 11 NOV 85 S. ANDERSON
G	4343	7019044-CX006 MCH 22 MAY 86 S. MANDRACCIA

THIRD ANGLE PROJECTION		DESCRIPTION	DWG/PART NO.	ITEM NO.
REMOVE BURRS AND BREAK SHARP CORNERS		UNLESS OTHERWISE SPECIFIED DIMENSIONS ARE IN INCHES		
DO NOT SCALE DWG		NEAR HIGHER ASSY.		
MATERIAL	SEE PARTS LIST	FIRST USED ON RA81		
FINISH		TITLE HDA-R/W MODULE ASSEMBLY		
E-AD-7019062-0-0		SIZE CODE		NUMBER
		C		AD7019044-0-0
		REV.		J

DRAWING NUMBER
C-AD-7019044-0-0

DRAWING NUMBER
C-AD-7019044-0-0

1 OF 1

AUTOMATED BY VAXKPL (V1.1)

PARTS LIST

SHEET A1 OF A1
QUANTITY PER VARIATION/REVISION

LINE ITEM	TOP DOCUMENT	PART NUMBER	MIN REV	DESCRIPTION	Q1	Q2
					D2	D2
1	E-AD-7018491-0-0	70-18491-01		HEAD/DISK ASSEMBLY (16 BIT)	1	-
2	E-AD-7018491-0-0	70-18491-02		HEAD/DISK ASSEMBLY (18 BIT)	-	1
3		54-15253-00		R81 READ/WRITE MODULE	1	1
4	C-IA-7019060-0-0	70-19060-01		*** THIS ITEM IS NOT USED ***	-	-
5		90-10075-00 B		SCREW, THD RL, HEX PHIL F/METAL	8	3
6		36-15710-00		*** THIS ITEM IS NOT USED ***	-	-
7		36-18565-01		*** THIS ITEM IS NOT USED ***	-	-
8		12-26091-01 A		CLIP, GROUNDING	1	1
9		12-25629-01 A		WIRE HARN ASSY 12AWG RING	1	1
10		90-10075-01 B		SCREW, THD RL HEX F/METAL	8	1

REVISION HISTORY			KPL MATRIX FORMAT		SECTION A OF A		DRN: T. FALETTE		DIGITAL		
ENG	ECO NUMBER	REV	SECTION/VARIATION INDEX		DATE:	CHK'D:	DATE:	TITLE	PARTS LIST		
FB	RA81-109	A	[A]	01,02	26-NOV-84	K. DAVIS	26-NOV-84	HDA-R/W MODULE ASSEMBLY			
FB	7019062-CX001	B	[B]								
JR	7019044-CX001	C	[C]			F. BERNETT					
JR	7019044-CX002	D	[D]		26-NOV-84			DOCUMENT NUMBER			
MM	7019062-CX010	E	[E]					SIZE	CODE	NUMBER	REV
JR	7019044-CX004	F	[F]			F. BERNETT		K	PL	7019044-0-DBP	J
SM	7019044-CX005	H	[H]		26-NOV-84						
SM	7019044-CX006	J	[J]								
						M. SPARLING		RELEASE DATE:	27-MAY-86		
					26-NOV-84			RELEASE STATUS:	RELEASED		
			BASIC PART NUMBER:	ASSEMBLY NUMBER:	TOP DOCUMENT NUMBER:	FILE NAME:	EDIT #				
			7019044	C-AD-7019044-0-0	C-AD-7019044-0-0	Z2914J.PLS	1				

Handwritten notes:
APM
27 May 86
10-31-84

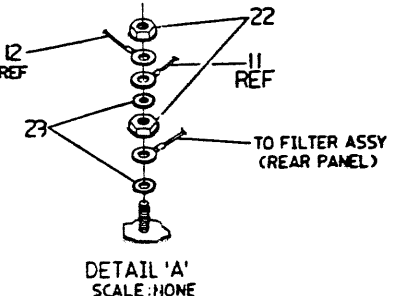
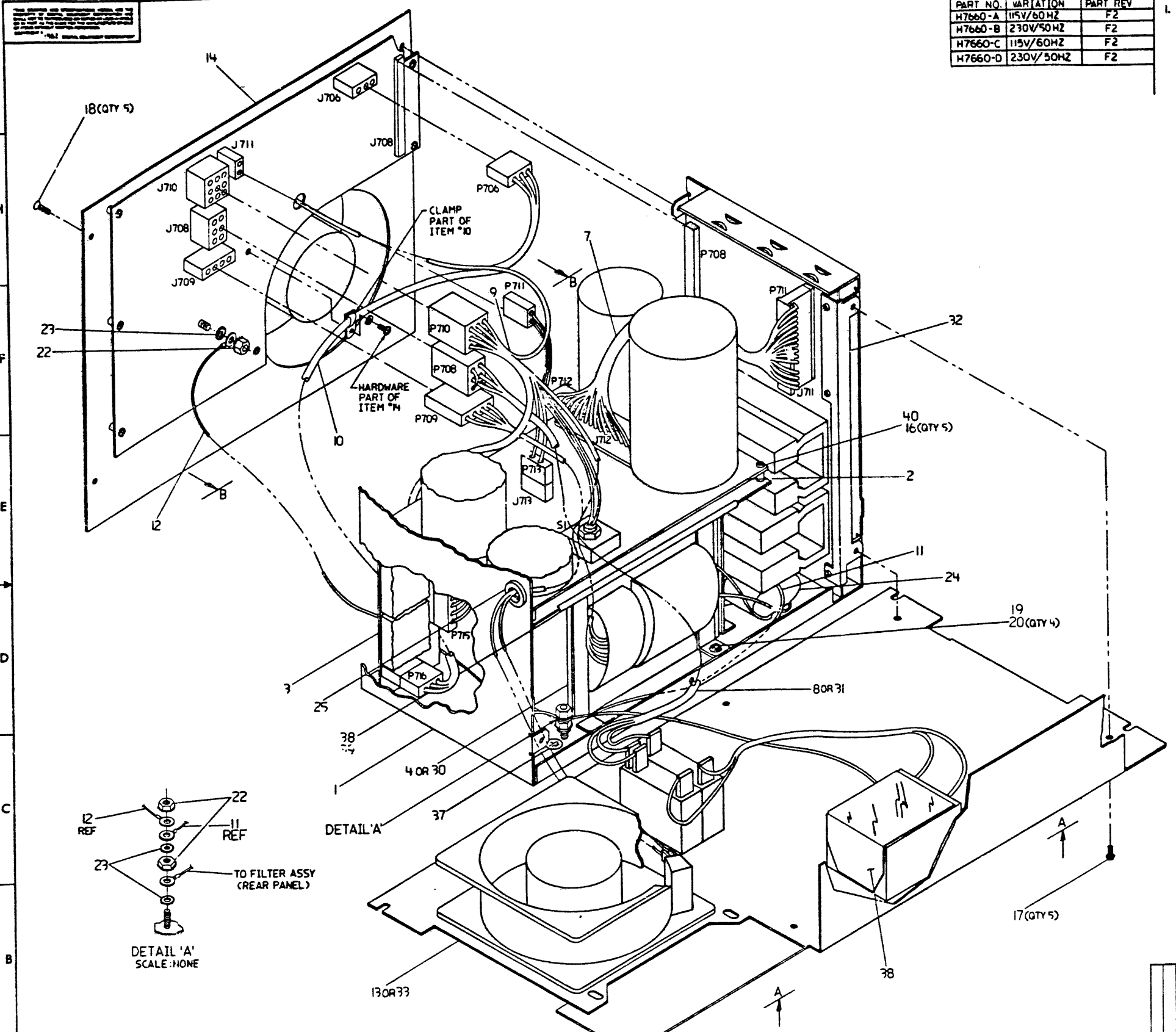
"THIS DRAWING AND THE SPECIFICATIONS CONTAINED HEREIN ARE CONFIDENTIAL AND PROPRIETARY. THEY ARE THE PROPERTY OF DIGITAL EQUIPMENT CORPORATION AND SHALL NOT BE REPRODUCED OR COPIED OR USED IN WHOLE OR IN PART AS THE BASIS FOR THE MANUFACTURE OR SALE OF ITEMS WITHOUT WRITTEN PERMISSION. THIS IS AN UNPUBLISHED WORK PROTECTED UNDER THE FEDERAL COPYRIGHT LAWS."

0-0-65924 RI 1

LEGEND

PART NO.	VARIATION	PART REV
H7660-A	115V/60HZ	F2
H7660-B	230V/50HZ	F2
H7660-C	115V/60HZ	F2
H7660-D	230V/50HZ	F2

NOTES:
1. USE APPROPRIATE LABEL FOR THE COUNTRY OF ORIGIN.

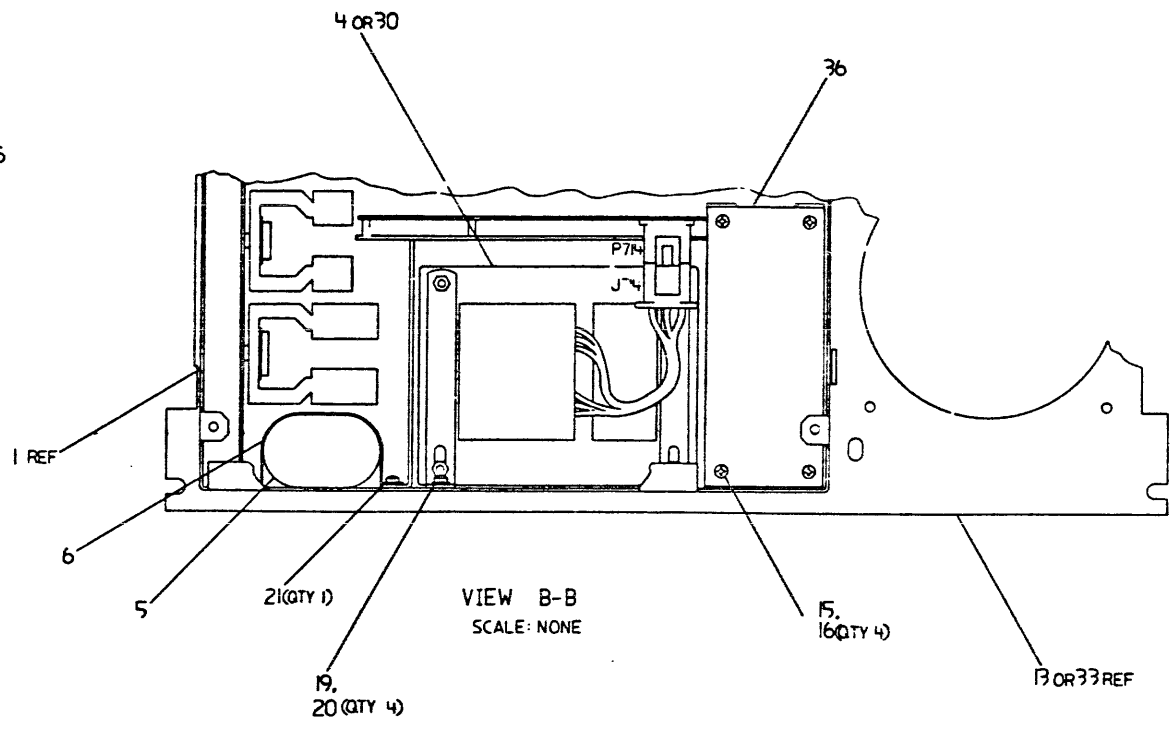
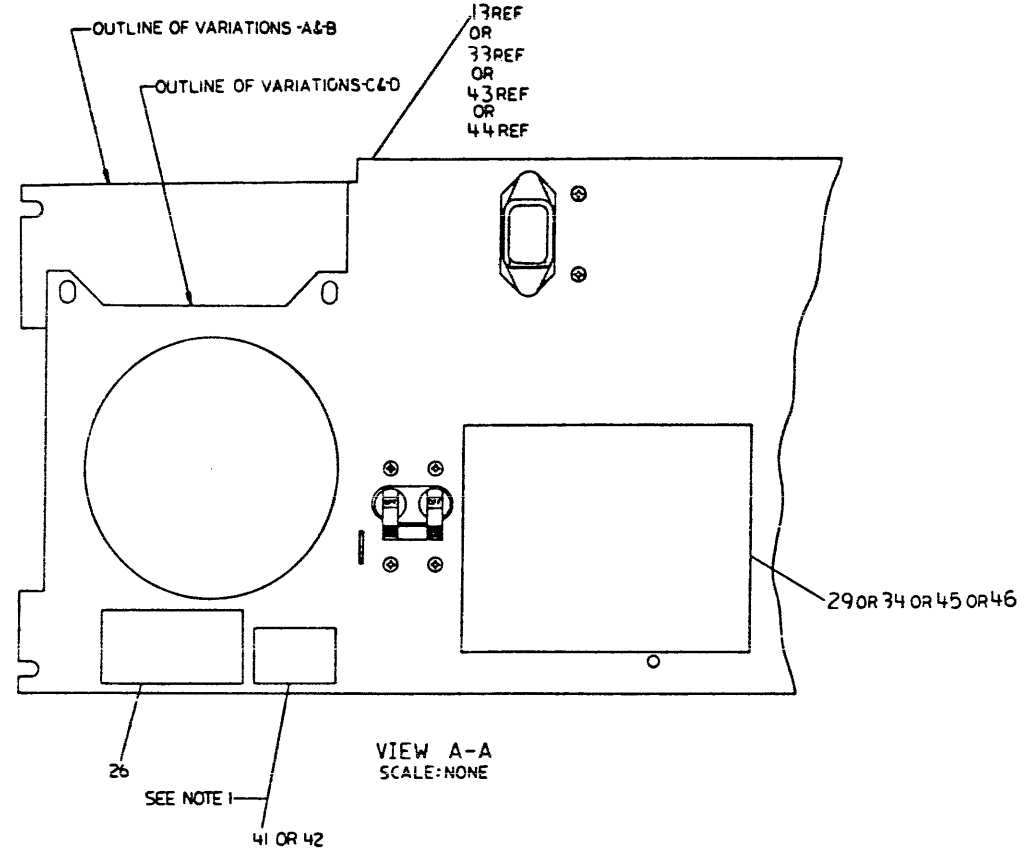


REV	INITIAL	DESCRIPTION
A
B
C
D
E
F
G
H
I
J
K
L

TOP DOC: K-DD-H7660-0-DBU
CAUTION: OFF SHEET PARTS LISTS EXISTS. SEE K-PL-H7660-0-DBP(Z3105).

DESCRIPTION	H7660-0-DBU	PART NO	H7660-0-0-L
DATE	11/11/67	REVISION	1
UNLESS OTHERWISE SPECIFIED DIMENSIONS ARE IN INCHES AND THE FOLLOWING TOLERANCES APPLY (PER DEC STD 114)			
FINISH	APPLICABLE DIMENSION RANGE	DIMENSION RANGE IN INCHES	
...	...	Over 0	Over 1.0
...
TITLE: UNIT ASSEMBLY H7660			
EUA H7660-0-0-L			

702 (Rev. 10-15-64)



REVISION HISTORY	
DATE	ECO NUMBER

EUA H7660-0-0 L

PARTS LIST

LINE ITEM	TOP DOCUMENT	PART NUMBER	MIN REV	DESCRIPTION	QUANTITY PER VARIATION/REVISION			
					A F2	B F2	C F2	D F2
1	1 E-IA-7018918-0-0	70-18918-00		CHASSIS ASSY	1	1	1	1
2	2 D-UA-5415094-0-0	54-15094-00		CAPACITOR BOARD H7660	1	1	1	1
3	3 D-UA-5415092-0-0	54-15092-00		RELAY BOARD H7660	1	-	1	-
4	4 D-IA-7018913-0-0	70-18913-00		TRANSFORMER ASSY 60HZ	1	1	1	1
5	5	10-18158-01		5.0 MFD 600VAC +/- 5% PAPE	1	1	1	1
6	6 B-MD-7426110-0-0	74-26110-00		CLAMP, CAP	1	1	1	1
7	7 D-IA-7018920-0-0	70-18920-00		HARNESS, D.C. INPUT	1	-	1	-
8	8 D-IA-7018921-0-0	70-18921-00		HARNESS A.C. INPUT 115V	1	1	1	1
9	9 D-IA-7018922-0-0	70-18922-00		HARNESS A.C. DISTRIBUTION	1	1	1	1
10	10 D-IA-7018923-0-0	70-18923-00		HARNESS RELAY D.C.	1	1	1	1
11	11 C-IA-7018924-0-0	70-18924-00		GROUND WIRE 1	1	1	1	1
12	12 C-IA-7018925-0-0	70-18925-00		GROUND WIRE 2	-	-	1	-
13	13 E-AD-7018914-0-0	70-18914-00		REAR PANEL ASSY RA81	1	1	1	1
14	14 E-AD-7018919-0-0	70-18919-00		FRONT PANEL ASSY	1	1	1	1
15	15	90-00049-01 B		SCREW,SEMS PAN PHIL 6-32	4	4	4	4
16	16	90-06659-00		WASHER,FLAT S/PAS .	9	9	9	9
17	17	90-00049-23		SCREW,SEMS PAN PHIL 6-32	5	5	5	5
18	18	90-08404-02		SCREW,MACH FLAT PHIL 6-32	4	4	4	4
19	19	90-00049-16 B		SCREW,SEMS PAN PHIL 8-32	4	4	4	4
20	20	90-06660-00		WASHER,FLAT SST .	4	4	4	4
21	21	90-00049-25		SCREW,SEMS PAN PHIL 8-32	1	1	1	1
22	22	90-06565-00		NUT,HEX EXT TOOTH LCKWSHR 10-32X	3	3	3	3
23	23	90-07651-00 B		WASHER,LOCK EXTERNAL STEEL .	3	3	3	3
24	24	12-13683-01		BOOT,CAPACITOR,RUBBER,HOLES IN SID	1	1	1	1
25	25	90-07016-00		GROMMET,ROUND RUBBER	1	1	1	1
26	26	90-09255-01 B		LABEL, POWER SUPPLY, 2-7/8" LG X 1	1	1	1	1
27	27	17-00083-23 L		*** THIS ITEM IS NOT USED ***	-	-	-	-
28	28	17-00083-24 L		*** THIS ITEM IS NOT USED ***	-	-	-	-
29	29	36-19223-01 A		LABEL,P.S. H7660A	1	-	-	-
30	30 D-IA-7018913-0-0	70-18913-01		TRANSFORMER ASSY 50HZ	-	1	-	1
31	31 D-IA-7019103-0-0	70-19103-00		HARNESS AC INPUT 230V	-	1	-	1
32	32 D-UA-5415096-0-0	54-15096-00		REGULATOR BD H7660	1	1	1	1

REVISION HISTORY			KPL MATRIX FORMAT SECTION A OF A		DRN: L. PRICE	DIGITAL		
ENG	ECO NUMBER	REV	SECTION/VARIATION INDEX		DATE: 04-DEC-84	TITLE PARTS LIST		
---	INITIAL	A	[A] A ,B ,C ,D		CHK'D: F. HALLIDAY	UNIT ASSEMBLY H7660		
JN	H7660-CX001	B	[B]		DATE: 04-DEC-84	DOCUMENT NUMBER		
TK	H7660-CX03A	C	[C]		DES.ENG: J. KALAGHER	SIZE	CODE	NUMBER
TK	H7660-CX005	D	[D]		DATE: 04-DEC-84	K	PL	H7660-0-DBP
TK	H7660-CX06A	E	[E]		RESP.ENG.: J. CROSS	L		
RG	H7660-CX007	F	[F]		DATE: 04-DEC-84	RELEASE DATE: 30-APR-86		
RG	H7660-CX008	H	[H]		MFG.ENG: W. EHRMANN	RELEASE STATUS: RELEASED		
JR	H7660-CX009	J	[J]		DATE: 04-DEC-84			
JR	H7660-CX10A	K						
JR	H7660-CX011	L						
BASIC PART NUMBER: H7660			ASSEMBLY NUMBER: E-UA-H7660-0-0		TOP DOCUMENT NUMBER: K-DD-H7660-0-DBU		FILE NAME: Z3105L.PLS	
							EDIT # 6	

John D Reed 5 May 86

"THIS DRAWING AND THE SPECIFICATIONS CONTAINED HEREIN ARE CONFIDENTIAL AND PROPRIETARY. THEY ARE THE PROPERTY OF DIGITAL EQUIPMENT CORPORATION AND SHALL NOT BE REPRODUCED OR COPIED OR USED IN WHOLE OR IN PART AS THE BASIS FOR THE MANUFACTURE OR SALE OF ITEMS WITHOUT WRITTEN PERMISSION. THIS IS AN UNPUBLISHED WORK PROTECTED UNDER THE FEDERAL COPYRIGHT LAWS."

AUTOMATED BY VAXKPL (V1.1)

PARTS LIST

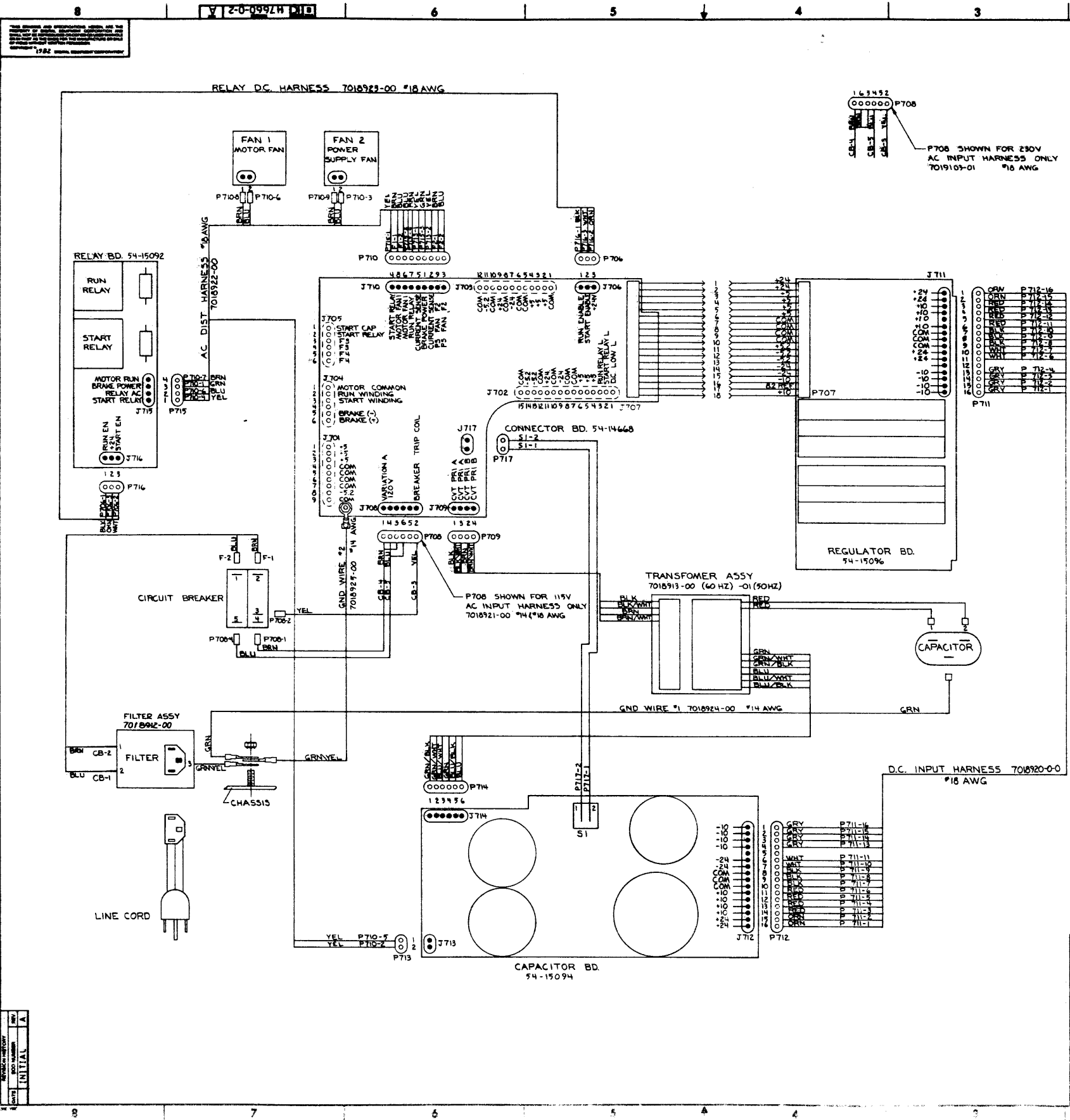
SHEET A2 OF A2

LINE	ITEM	TOP DOCUMENT	PART NUMBER	MIN REV	DESCRIPTION	QUANTITY PER VARIATION/REVISION			
						A F2	B F2	C F2	D F2
33	33	E-AD-7018914-0-0	70-18914-01		REAR PANEL ASSY H7660 B	-	-	-	1
34	34		36-19223-02		LABEL,P.S. H7660B	-	1	-	-
35	35		37-00587-01		PKG POWER SUPPLY RM80	1	1	1	1
36	36		17-00021-07	L	SHIELD,ELECTROMAG,4.70"X2.00"	1	1	1	1
37	37		36-12680-01	E	LABEL,GROUND SYMBOL WHITE	1	1	1	1
38	38	K-MD-7429346-0-DBU	74-29346-01	A	COVER,SHARP EDGE	1	1	1	1
39	39		90-09157-01	B	*** THIS ITEM IS NOT USED ***	-	-	-	-
40	40		90-00049-32	A	SCREW,SEMS PAN PHIL 6-32	5	5	5	5
41	41		36-21739-01		LABEL,COUNTRY OF ORIGIN HONG KONG	A/R	A/R	A/R	A/R
42	42		36-21739-03	A	LABEL,COUNTRY OF ORIGIN SINGAPORE	A/R	A/R	A/R	A/R
43	43	E-AD-7018914-0-0	70-18914-02	A	REAR PANEL ASSY	1	-	-	-
44	44	E-AD-7018914-0-0	70-18914-03	A	REAR PANEL ASSY	-	1	-	-
45	45		36-19223-03	A	LABEL,POWER SUPPLY H7660C	-	-	1	-
46	46		36-19223-04	A	LABEL,POWER SUPPLY H76600	-	-	-	1

1 GEN: - LEGEND

2 GEN: -	PART NUMBER	VARIATION
3 GEN:	H7660-A	115V/60HZ
4 GEN:	H7660-B	230V/50HZ
5 GEN:	H7660-C	115V/60HZ
6 GEN:	H7660-D	230V/50HZ

D	I	G	I	T	A	L	TITLE	SECTION A OF A	SIZE	CODE	DOCUMENT NUMBER	REV
							UNIT ASSEMBLY H7660		K	PL	H7660-0-DBP	L



DESCRIPTION		DRAWING NO.		PART NO.		REV. NO.	
UNLESS OTHERWISE SPECIFIED DIMENSIONS ARE IN INCHES AND THE FOLLOWING TOLERANCES APPLY (PER DEC STD 114)							
DIMENSIONS	TOLERANCES	APPLICABLE DIMENSION RANGE				DIMENSION RANGE IN INCHES	
		OVER	UNDER	OVER	UNDER	OVER	UNDER
2" - 6"	±.015"	0	0	0	0	0	0
6" - 12"	±.020"	0	0	0	0	0	0
12" - 24"	±.030"	0	0	0	0	0	0
24" - 48"	±.040"	0	0	0	0	0	0
48" - 96"	±.050"	0	0	0	0	0	0
96" - 192"	±.060"	0	0	0	0	0	0
192" - 384"	±.075"	0	0	0	0	0	0
384" - 768"	±.090"	0	0	0	0	0	0
768" - 1536"	±.110"	0	0	0	0	0	0

QUANTITY	1	DATE	10-28-51
DESCRIPTION	RA81 POWER SUPPLY WIRING DIAGRAM	BY	E. H. C.
DATE	10-28-51	CHKD	E. H. C.
BY	E. H. C.	APP'D	E. H. C.
CHKD	E. H. C.	REV	0
APP'D	E. H. C.	DOC NO.	77 MAY 51
REV	0	REV	
DOC NO.	77 MAY 51	REV	
REV		REV	
REV		REV	
REV		REV	
REV		REV	
REV		REV	

PREPARED BY: **E. H. C.**
 CHECKED BY: **E. H. C.**
 DATE: **10-28-51**
 INITIALS: **A**

H7660-0-2
 A

ECO 5414668-CX001

COMPONENT DELETES:

- 1-1. DELETE C13. (1001610-00).
- 1-2. DELETE Q8. (1510877-00).

COMPONENT ADDS:

- 1-3. ADD C13. (1010274-02).
- 1-4. ADD Q8. (1503409-01).
- 1-5. AFTER COMPLETING THE ABOVE REWORK, MARK THE MODULE CS REV "B".

ECO 5414668-CX002

COMPONENT DELETES: SIDE 1

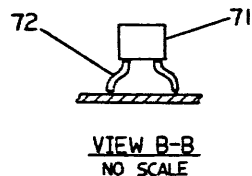
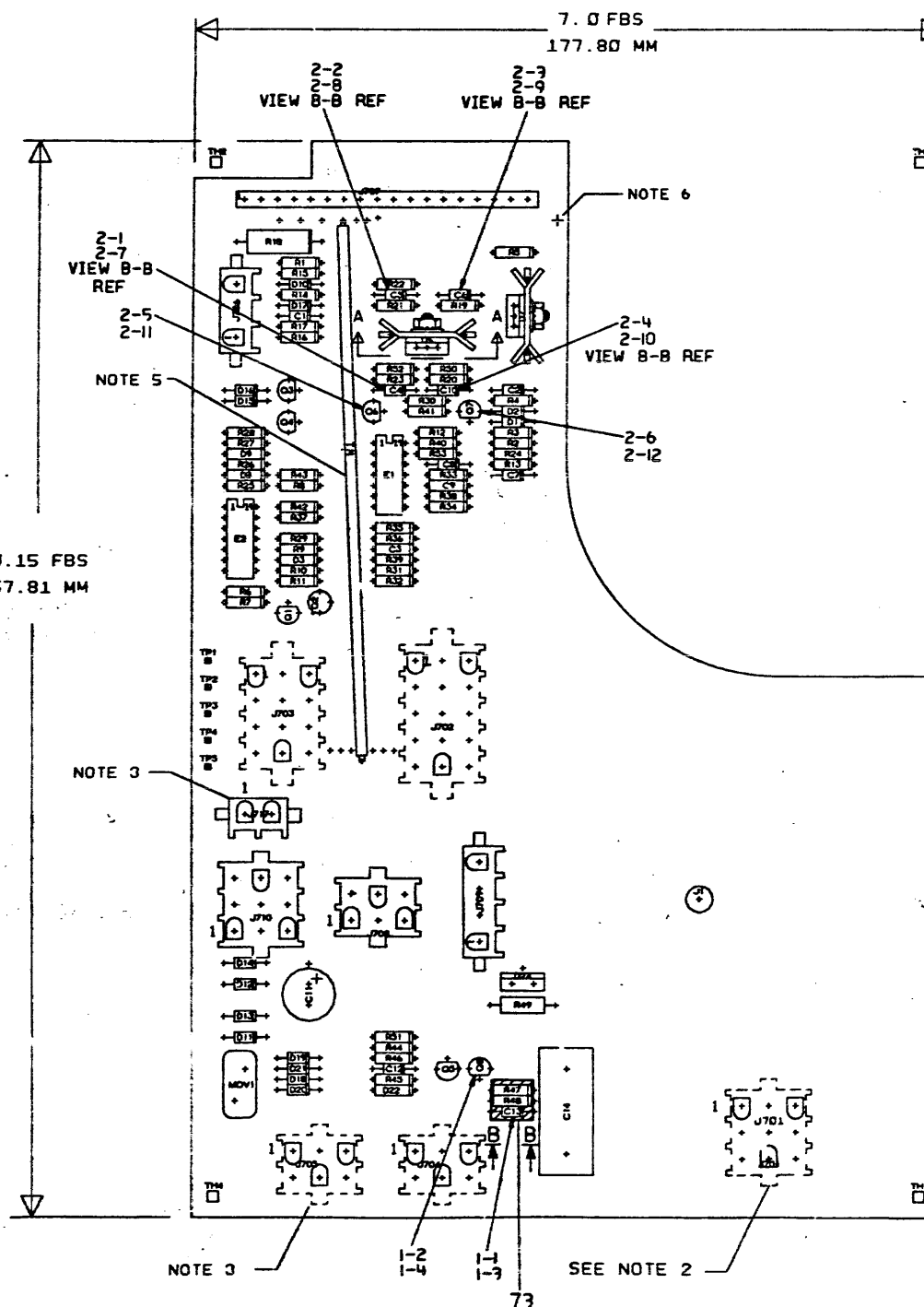
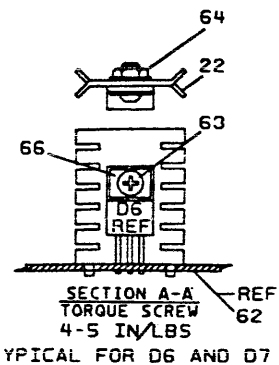
- 2-1. DELETE C4. (1001610-00).
- 2-2. DELETE C5. (1001610-00).
- 2-3. DELETE C6. (1001610-00).
- 2-4. DELETE C10. (1001610-00).
- 2-5. DELETE Q6. (1510877-00).
- 2-6. DELETE Q7. (1510877-00).

COMPONENT ADDS: SIDE 1

- 2-7. ADD C4. (1010274-02).
- 2-8. ADD C5. (1010274-02).
- 2-9. ADD C6. (1010274-02).
- 2-10. ADD C10. (1010274-02).
- 2-11. ADD Q6. (1503409-01).
- 2-12. ADD Q7. (1503409-01).

MARK MODULE:

- 2-13. WHEN THE ABOVE REWORK IS COMPLETE, MARK THE MODULE CS REV "C".



DATE	1/11/60
DESIGNED BY	J. J. McCONNELL
CHECKED BY	J. J. McCONNELL
PROJECT NO.	5414668
SCALE	2" = 1"
SHEET NO.	1 OF 1
TITLE	CONNECTION BOARD
NUMBER	171660
SIZE	11.5 X 17.0
REV	0-0

5. LENGTH OF ITEM SH TO BE S.N. 1.1
6. STRIP ENDS 0.2 I.A.
7. FEED THRU HOLE MUST BE FILLED WITH SOLDER
ETCH REV. D

92154668	CHANGE NO REV
92154668	9-0 (C801)
92154668	9-0 (C801)
92154668	9-0 (C801)
92154668	9-0 (C801)
92154668	9-0 (C801)
92154668	9-0 (C801)
92154668	9-0 (C801)
92154668	9-0 (C801)
92154668	9-0 (C801)

NOTES:

- THIS BOARD MUST BE TYPE 1.
- REQUIREMENTS FOR U-705 ON SIDE 1 AND HAND SOLDER AFTER HAVE SOLDERING.
- U-705 AND U-717 HAVE FEMALE CONTACTS AND U-717 HAVE FEMALE CONTACTS AND U-717 HAVE FEMALE CONTACTS.
- PROTRUDE OUT FROM SIDE 1.

STEP	X AXIS	STEP	Y AXIS
REPORT	X AXIS	STEP	Y AXIS

THIS DRAWING IS THE PROPERTY OF THE UNITED STATES GOVERNMENT AND IS LOANED TO YOU. IT AND ITS CONTENTS ARE NOT TO BE DISTRIBUTED OUTSIDE YOUR ORGANIZATION.

AUTOMATED BY PRTLST.JP(44)

PARTS LIST

LINE ITEM TOP DOCUMENT

MIN PART NUMBER REV DESCRIPTION

QTY PER VARIATION 00

REFERENCE DESIGNATOR

* 1 1 D-CS-5414668-0-1
 * 2 2 E-UA-5414668-0-0
 * 3 3 D-MD-5014667-0-0
 * 4 4 D-EC-5014667-0-0
 5 5
 6 6
 7 7
 8 8
 9 9
 10 10
 11 11
 12 12
 13 13
 14 14
 15 15
 16 16
 17 17
 18 18
 19 19
 20 20
 21 21
 22 22
 23 23
 24 24
 25 25
 26 26
 27 27
 28 28
 29 29
 30 30

1001610-00 .01 MFD 50V +80-20% Z5U CER
 1013393-00 330 MFD 20V+100-10% AL EL
 1013466-09 1000.0 MMF 50V 10% X7R CER
 1014430-00 .022 MFD 270V 10% M.POLYPROP
 1100114-00 PIV= 25 IO=135 MA
 1105796-00 PIV= 400 IO= 1.00A 1N4004 DO-41
 1110925-00 VZ= 5.1 2% 400 MW 1N751
 1113290-00 TRIAC PIV= 600 IO= 8.00A 2N6344
 1114117-00 PIV= 40 IO= 75 A - 4NS
 1116474-00 PIV=1000 IO= 1.00A 1N4007 DO-41
 1117061-00 THYRISTOR, VDRM= 25 MC
 1212297-01 MATE-N-LDK 04PIN(1X04).250CC HDR
 1212297-02 MATE-N-LOK 09PIN(2X05).250CC HDR
 1212297-03 MATE-N-LOK 03PIN(1X03).250CC HDR
 1212297-04 MATE-N-LOK 15PIN(2X08).250CC HDR
 1212297-05 MATE-N-LOK 06PIN(2X03).250CC HDR
 1212297-06 MATE-N-LOK 12PIN(2X06).250CC HDR
 1215228-00 HEAT SINKS,TD-220 01.25X0.87
 1217485-03 MATE-N-LOK 06SKT(2X03).250CC ASS
 1218994-01 PCB HEADER 18PIN(1X18).156CC STR
 1300168-00 10.0 .50 W 5.0 % CF
 1300202-00 47.0 .25 W 5.0 % CF
 1300229-00 100.0 .25 W 5.0 % CF
 1300271-00 220.0 .25 W 5.0 % CF
 1300316-00 470.0 .25 W 5.0 % CF
 1300365-00 1.0 K .25 W 5.0 % CF

REF
 REF
 REF
 REF
 5
 C1,C2,C7,C8,C12
 1
 C11
 2
 C3,C9
 1
 C14
 3
 D3,D8,D9
 6
 D15,D16,D18-D21
 1
 D22
 1
 D24
 4
 D1,D2,D10,D17
 4
 D11-D14
 2
 D6,D7
 1
 J709
 2
 J701,J710
 1
 J706
 1
 J702
 2
 J704,J708
 1
 J703
 2
 HS1,HS2
 1
 J705
 1
 J707
 1
 R49
 2
 R20,R22
 1
 R47
 2
 R23,R50
 2
 R27,R28
 12
 R6,R7,R11,R19,R21,R25,R26,R29,

REVISION HISTORY			BASIC PART NO: 5414668		DRN: MARY BAIROS	DATE: 11-FEB-82	D I G I T A L		
ENG:	ECO NUMBER	REV	SECTION A OF A	CHK'D: DICK BARRIERE	DATE: 17-FEB-82	TITLE PARTS LIST CONNECTOR BOARD H7660			
JC	INITIAL	X05	SECTION VARIATION INDEX	DES.ENG: J. CROSS	DATE: 07-MAY-82	DOCUMENT NUMBER			
JC	PCA-MD-029	CX00	[A] 00	RESP.ENG.: J. CROSS	DATE: 07-MAY-82	SIZE: K	CODE: FL	NUMBER: 5414668-0-DBP	REV: D
JC	PCA-MD-077	DX00	[B]	MFG.ENG.: W. EHRMAN	DATE: 07-MAY-82	RELEASE DATE:			
JC	PCA-MD-118	A	[C]	ASSEMBLY NUMBER: E-UA-5414668-0-0	TOP DOCUMENT NUMBER: #B-DD-5414668-0	FILE NAME: Z1645D.PLS	EDIT #: 33		
RG	5414668-CX001	B	[D]						
RG	5414668-CX002	C	[E]						
RG	5414668-CX003	D	[F]						
			[G]						
			[H]						
			[I]						
			[J]						
			[K]						
			[L]						
			[M]						
			[N]						

12-15-82
 12-15-82

"THIS DRAWING AND THE SPECIFICATIONS CONTAINED HEREIN ARE CONFIDENTIAL AND PROPRIETARY. THEY ARE THE PROPERTY OF DIGITAL EQUIPMENT CORPORATION AND SHALL NOT BE REPRODUCED OR COPIED OR USED IN WHOLE OR IN PART AS AN BASIS FOR THE MANUFACTURE OR SALE OF ITEMS WITHOUT WRITTEN PERMISSION. THIS IS AN UNPUBLISHED WORK PROTECTED UNDER THE FEDERAL COPYRIGHT LAWS."

LINE	ITEM	TOP DOCUMENT	PART NUMBER	MIN REV	DESCRIPTION	QTY	PER VARIATION	REFERENCE DESIGNATOR
						00		
							CONT	R46,R48,R52,R53
31	31		1300447-00		4.70 K .25 W 5.0 % CF	1		R10
32	32		1300479-00		10.0 K .25 W 5.0 % CF	6		R17,R42,R32,R37,R38,R16
33	33		1300496-00		15.0 K .25 W 5.0 % CF	1		R39
34	34		1301423-00		6.80 K .25 W 5.0 % CF	2		R9,R45
35	35		1302172-00		3.01 K .75 W 1.0 % RN65C-F 5	1		R18
36	36		1302177-00		47.0 K .25 W 5.0 % CF	1		R8
37	37		1316836-00		402.0 .25 W 1.0 % RN55D-F10	2		R51,R44
38	38		1302612-00		1.78 K .25 W 1.0 % RN55D-F10	1		R3
39	39		1302685-00		10.0 M .25 W 5.0 % CF	4		R31,R40,R41,R30
40	40		1304863-00		*** THIS ITEM IS NOT USED ***	-		
41	41		1305108-00		1.47 K .25 W 1.0 % RN55D-F10	1		R5
42	42		1305114-00		3.48 K .25 W 1.0 % RN55D-F10	1		R35
43	43		1305143-00		825.0 .25 W 1.0 % RN55D-F10	2		R14,R15
44	44		1305325-00		8.25 K .25 W 1.0 % RN55D-F10	1		R43
45	45		1309414-00		9.76 K .25 W 1.0 % RN55D-F10	1		R24
46	46		1311996-00		VARISTOR 150VAC VOLT TRANS SUP	1		MOV1
47	47		1314989-00		11.30 K .25 W 1.0 % RN55D-F10	1		R36
48	48		1312546-00		16.50 K .25 W 1.0 % RN55D-F10	1		R13
49	49		1312618-00		16.90 K .25 W 1.0 % RN55D-F10	1		R33
50	50		1313591-00		1.65 K .25 W 1.0 % RN55D-F10	1		R4
51	51		1313840-00		4.53 K .25 W 1.0 % RN55D-F10	1		R2
52	52		1316837-00		412.0 .25 W 1.0 % RN55D-F10	1		R1
53	53		1316842-00		6.34 K .25 W 1.0 % RN55D-F10	1		R12
54	54		1312565-00		13.30 K .25 W 1.0 % RN55D-F10	1		R34
55	55		1510705-00		XA 05 NPN 500MW SI 60 50 P	2		Q3,Q4
56	56		1510706-00		XA 55 PNP 500MW SI 60 50 P	1		Q1
57	57		1510877-00		*** THIS ITEM IS NOT USED ***	-		
58	58		1511686-00		DEC5433 FET N 350MW 10 25 1A	1		Q2
59	59		1512212-00		DEC8098 NPN 350MW SI 60 50	1		Q5
60	60		1911637-00		74132 NAND GATE-QUAD 2 IN	1		E2
61	61		1912108-00		339 VOLT CMPRTR,QUAD	1		E1
62	62		5014667-00		DRILL AND ETCH BD.	1		
63	63		9006011-01		SCREW,MACH PAN PHIL 4-	2		
64	64		9006557-00		NUT,HEX EXT TOOTH LCKWSHR 4-40	2		
65	65		9009217-00		POST,WIRE WRAP	5		TP1,TP2,TP3,TP4,TP5
66	66		9009769-00		WASHER,RECTNGLR STEEL	2		
67	67		9009807-02		STUD,PC MOUNTING 10-32X0.375	1		J1
68	68	SEE NOTE	9107702-09		WIRE,SOLID 14AWG IPVC 300V15	A/R		W1
69	69		1217485-00		MATE-N-LOK 02SKT(1X02).250CC ASS	1		J717
70	70		1503409-01		DEC6534B PNP 310MW SI 40 90 P	3		Q6-Q8
71	71		1010274-02	K	1 MFD 50V +80-20% CER	5		C4-C6,C10,C13
72	72		9107267-00		CR TUBING,TEFLON .034ID	A/R		
73	73		4901090-00		CR TAPE,TEFLON ADH .75 WDX3.5M	A/R		

D	I	G	I	T	A	L	TITLE	SECTION A OF A	SIZE	CODE	DOCUMENT NUMBER	REV
							CONNECTOR BOARD H7660		K	PL	5414668-0-DBP	D

AUTOMATED BY PRTLST.3P(44)
LINE ITEM TOP DOCUMENT

PARTS LIST

SHEET A3 OF A3

QTY PER VARIATION
00

REFERENCE DESIGNATOR

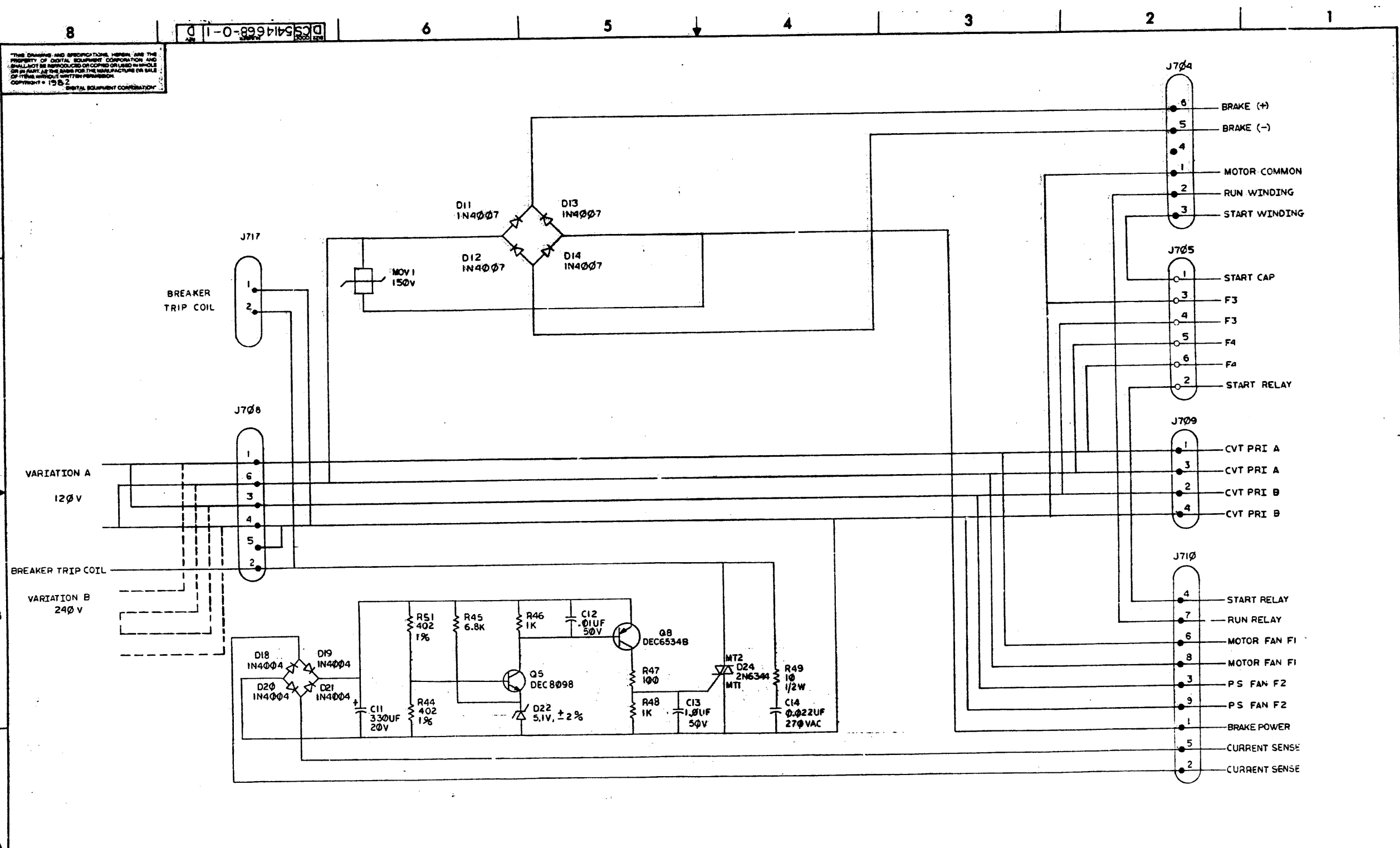
MIN
PART NUMBER REV DESCRIPTION

74 NOTE: LENGTH OF W1 IS 5.4 +/- .1".

D I G I T A L	TITLE	CONNECTOR BOARD H7660	SECTION A OF A	SIZE	CODE	DOCUMENT NUMBER	REV
					PL	5414668-0-DBP	D

DCS 5414668-0-1 D

THIS DRAWING AND SPECIFICATIONS HEREIN ARE THE PROPERTY OF DIGITAL EQUIPMENT CORPORATION AND SHALL NOT BE REPRODUCED OR COPIED OR USED IN WHOLE OR IN PART AS THE BASIS FOR THE MANUFACTURE OR SALE OF ITEMS WITHOUT WRITTEN PERMISSION. COPYRIGHT © 1962 DIGITAL EQUIPMENT CORPORATION



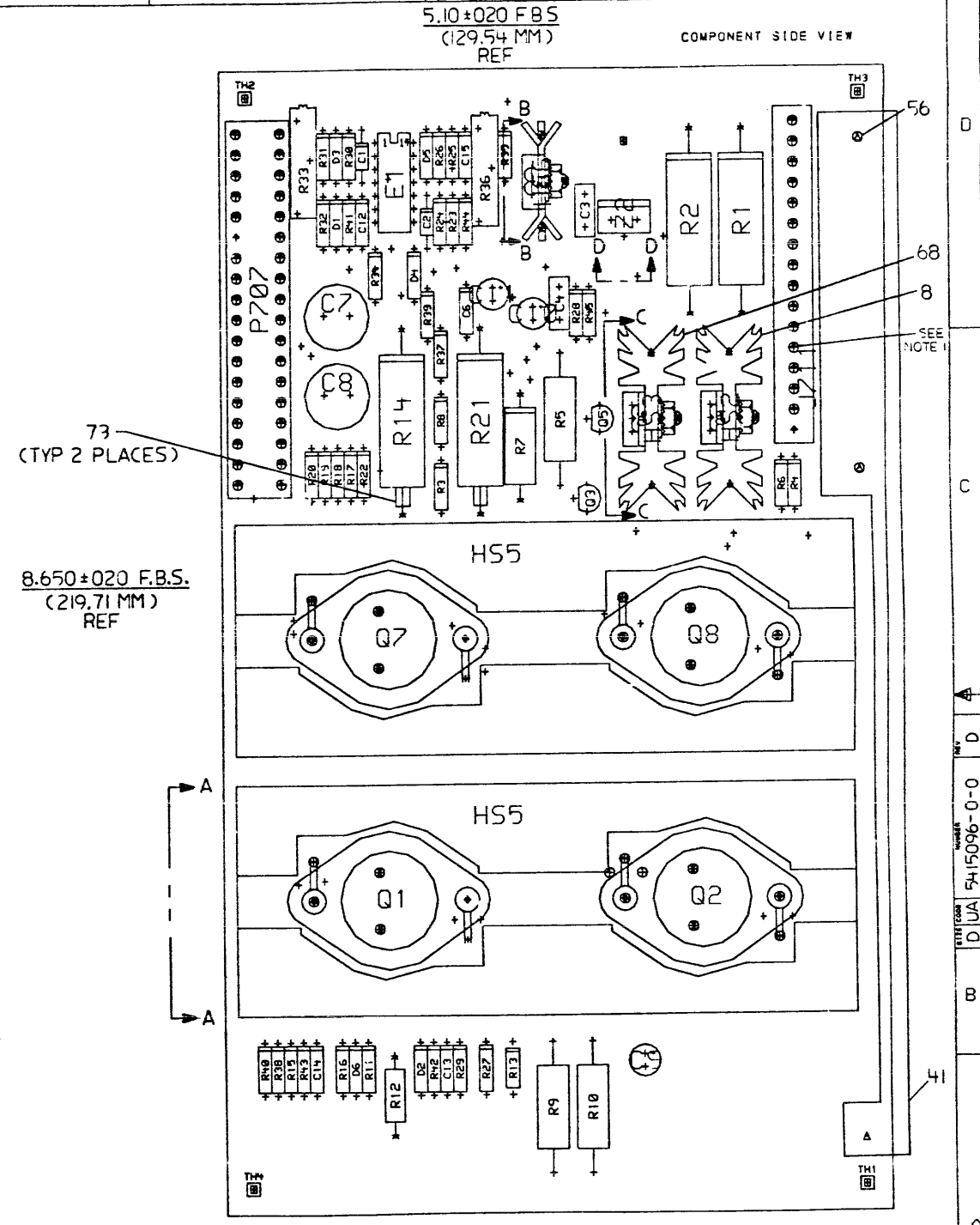
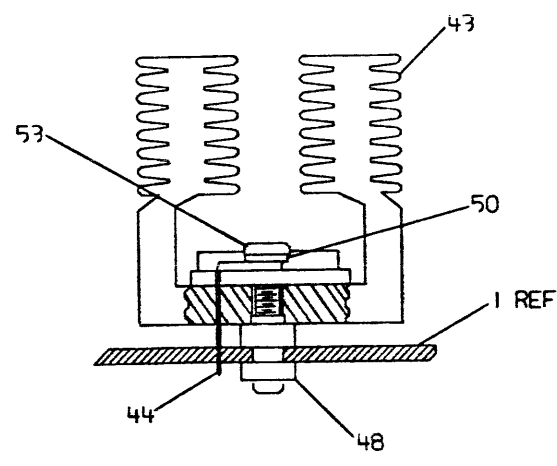
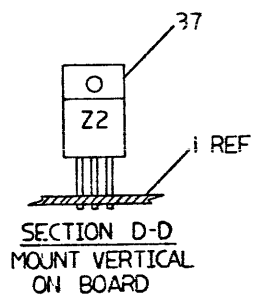
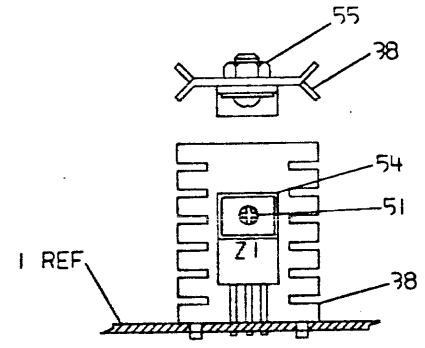
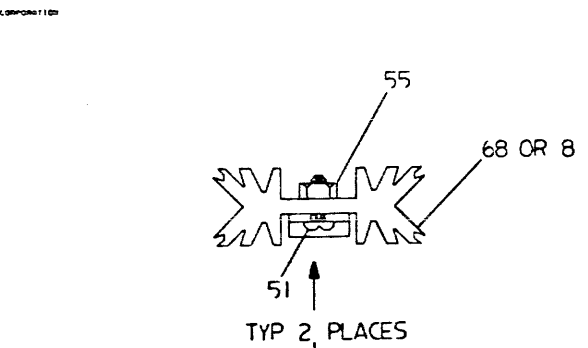
REVISION	DATE	BY	CHKD

TITLE
CONNECTOR BOARD H7660

DOCUMENT NUMBER		REV
DCS 5414668-0-1	D	D
SHEET 2 OF 2		

DRAWING NUMBER: DCS 5414668-0-1
 DRAWING NUMBER: DCS 5414668-0-1
 DRAWING NUMBER: DCS 5414668-0-1
 SHEET 2 OF 2

THIS DRAWING AND SPECIFICATIONS, HEREIN AND THE PROPERTY OF DIGITAL EQUIPMENT CORPORATION AND SHALL NOT BE REPRODUCED OR COPIED IN WHOLE OR IN PART OR IN ANY MANNER FOR THE MANUFACTURE OF SALE OF ITEMS WITHOUT WRITTEN PERMISSION. COPYRIGHT © 1964 DIGITAL EQUIPMENT CORPORATION



NOTES: 1. CUT PIN 12 OF J711 FOR KEY WAY.
2. THIS BOARD MEETS REQUIREMENTS FOR U L TYPE I.

STEP	AXIS	STEP	TIMES
STEP E	+ Y AXIS	STEP	TIMES
REPEAT	+ X AXIS	STEP	TIMES

CHANGE NO.	REV.	DATE	BY
D			

5415096-0
CROSS
WALLER

ETCH REV. C1-P2			
-----------------	--	--	--

SIGNATURES	DATE	digital
DRN. <i>[Signature]</i>		
CHK. <i>[Signature]</i>	12/4/64	
MECH. ENG. <i>[Signature]</i>	12/4/64	TITLE REGULATOR BOARD H7660
PROJ. ENG. <i>[Signature]</i>	12/4/64	
PROD. <i>[Signature]</i>	12/4/64	
SCALE 2/1	SIZE CODE	NUMBER
SHT. 1 OF 1	D UA 5415096-0-0	REV. D
NEXT HIGHER ASSY. K-00-5415096-0-0		

AUTOMATED BY PRTSUD.2R(4)

PARTS LIST

LINE ITEM	TOP DOCUMENT	PART NUMBER	MIN REV	DESCRIPTION	VARIATION REVISION LEVEL:	QTY	PER VARIATION	REFERENCE DESIGNATOR
						CO	D1	
1	1	K-DD-5015095-0-0		5015095-00	C DRILL AND ETCH BD	1		C6
2	2			1001610-00	.01 MFD 50V +80-20% Z5U CER	1		C3,C4
3	3			1010978-36	.1 MFD 50V 10% CER	2		C7,C8
4	4			1013393-00	330 MFD 20V+100-10% AL EL	2		C1,C2
5	5			1013466-18	330.0 MMF 50V 5% CER	2		C12,C13,C14,C15
6	6			1013466-22	.1 MFD 50V +80-20% Z5U CER	4		C9,C10,C11
7	7			1018000-01	15 MFD 25V +50-10 AL EL	3		D1,D4,D6
8	8			1100114-00	FIV= 25 IO=135 MA	3		D2
9	9			1103441-01	VZ= 8.2 1% 400 MW 1N756A	1		D3,D5
10	10			1114117-00	FIV= 40 IO= 75 A - 4NS	2		
11	11			1211987-06	H HEAT SINK,TO-3 4.750X01.7	1		
12	12			1213921-00	K HEAT SINK,EXTRUSION 1.380X1.00	1		
13	13			1213921-01	K HEAT SINK,EXTRUSION 1.380X1.50	1		
14	14			1214255-09	HEAT SINK,TO-3 04.75X01.7	1		
15	15			1214789-00	CR INSERT,THREAD	8		
16	16			1215228-00	D HEAT SINKS,TO-220 01.25X0.87	1		J711
17	17			1216652-09	PCB,HEADER 16PIN(1X16).156CC STR	1		F707
18	18			1217990-07	CONN,P+S 18SKT(1X18).156CC	1		R12
19	19			1300243-00	120.0 .50 W 5.0 % CF	1		R3,R8,R40
20	20			1300316-00	470.0 .25 W 5.0 % CF	3		R4,R6
21	21			1300365-00	1.0 K .25 W 5.0 % CF	2		R45
22	22			1300426-00	2.70 K .25 W 5.0 % CF	1		R41,R42,R43,R44
23	23			1300439-00	3.30 K .25 W 5.0 % CF	4		R26,R31
24	24			1300479-00	10.0 K .25 W 5.0 % CF	2		R11,R19
25	25			1300488-00	12.0 K .25 W 5.0 % CF	2		R23,R25,R29,R30
26	26			1303156-00	34.80 K .25 W 1.0 % RN55D-F10	4		R38,R39
27	27			1303179-00	8.20 K .25 W 5.0 % CF	2		R20
28	28			1304725-00	300.0 .25 W 1.0 % RN55D-F10	1		R13
29	29			1304863-00	316.0 .25 W 1.0 % RN55D-F10	1		R22,R24,R27,R28
30	30			1305114-00	3.48 K .25 W 1.0 % RN55D-F10	4		

REVISION HISTORY		BASIC PART NO: 5415096		DRN:	SHERI LEHMAN	DATE: 17-MAR-83	D I G I T A L		
ENG:	ECD NUMBER	REV	SECTION A OF A	CHK'D:	<i>Sue Bourbeau</i>	DATE: 17-MAR-83	TITLE PARTS LIST		
RG	5415096-CX002	B	SECTION VARIATION INDEX		SUE BOURBEAU	DATE: 17-MAR-83	REGULATOR BOARD H7660		
RG	5415096-CX003	C	[A] 00		<i>Bob Guenther</i>	DATE: 17-MAR-83	DOCUMENT NUMBER		
RG	5415096-CX004	D	[B]		BOB GUENTHER	DATE: 17-MAR-83	SIZE	CODE	NUMBER
WH	5415096-CX005	E	[C]		<i>Bob Guenther</i>	DATE: 17-MAR-83	K	PL	5415096-0-DBP
			[D]		<i>Bob Guenther</i>	DATE: 17-MAR-83			
			[E]		<i>Bob Guenther</i>	DATE: 17-MAR-83			
			[F]		<i>Sid Fudman</i>	DATE: 17-MAR-83			
			[G]		WARREN EHRMAN	DATE: 17-MAR-83			RELEASE DATE: 26-AUG-85
			[H]						
			[I]						
			[J]						
			[K]						
			[L]						
			[M]						
			[N]						
ASSEMBLY NUMBER:				TOP DOCUMENT NUMBER:		FILE NAME:		EDIT #	
D-UA-5415096-0-0				K-DD-5415096-0-0		Z2530E.PLS		18	

"THIS DRAWING AND THE SPECIFICATIONS CONTAINED HEREIN ARE CONFIDENTIAL AND PROPRIETARY. THEY ARE THE PROPERTY OF DIGITAL EQUIPMENT CORPORATION AND SHALL NOT BE REPRODUCED OR COPIED OR USED IN WHOLE OR IN PART AS THE BASIS FOR THE MANUFACTURE OR SALE OF ITEMS WITHOUT WRITTEN PERMISSION. THIS IS AN UNPUBLISHED WORK PROTECTED UNDER THE FEDERAL COPYRIGHT LAWS."

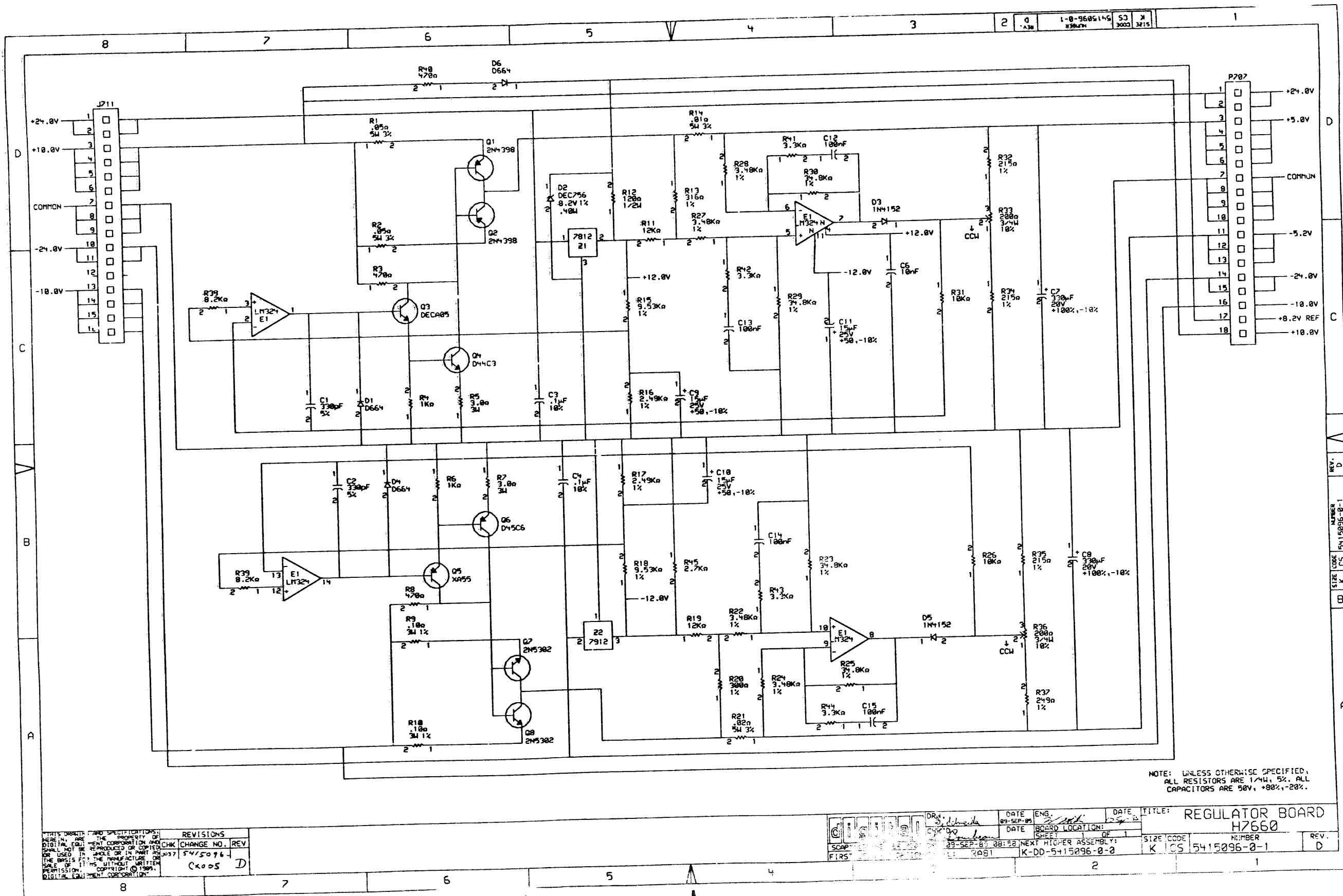
AUTOMATED BY PRSUD.2B(4)

PARTS LIST

SHEET A2 OF A2

LINE	ITEM	TOP DOCUMENT	PART NUMBER	MIN REV	DESCRIPTION	VARIATION	REVISION LEVEL	QTY	PER VARIATION	REFERENCE DESIGNATOR
								00		
								D1		
31	31		1305123-00		215.0	.25 W 1.0 %	RN55D-F10	3		R32,R34,R35
32	32		1309143-05		200.0	.75 W 10.0 %	POT	2		R33,R36
33	33		1310876-00		.02	5.0 W 3.0 %	WW	1		R21
34	34		1310876-03		.05	5.0 W 3.0 %	WW	2		R1,R2
35	35		1312626-00		2.49 K	.25 W 1.0 %	RN55D-F10	1		R16
36	36		1312682-00		3.0	3.0 W 5.0 %	WW	2		R5,R7
37	37		1313712-00		.01	5.0 W 3.0 %	WW	1		R14
38	38		1314397-00		9.53 K	.25 W 1.0 %	RN55D-F10	1		R15
39	39		1315240-00		.10	3.0 W 1.0 %	WW	2		R9,R10
40	40		1317404-00		249.0	.25 W 1.0 %	RN55D-F10	1		R37
41	41		1505870-00		2N 4398	PNP 200WC SI 40 40 Y		2		Q1,Q2
42	42		1510171-00		D 44C3	NPN 30WT SI 30 20 Y		1		Q4
43	43		1510196-00		2N 5302/HSNPN	200WC SI 60 40 M		2		Q7,Q8
44	44		1510414-00		D 45C6	PNP 30WT SI 45 20 Y		1		Q6
45	45		1510705-00		XA 05	NPN 500MW SI 60 50 P		1		Q3
46	46		1510706-00		XA 55	PNP 500MW SI 60 50 P		1		Q5
47	47		1912048-05		7812	VOLT REG, FIX +12V		1		Z1
48	48		1912107-80		LN 324	BURNED-IN OP AMP, QUA		1		E1
49	49		1914517-01		7912	VOLT REG, FIX -12V		1		Z2
50	50		7426111-00		CR HANDLE, REGULATOR BOARD			1		
51	51		9000024-01		CR EYELET, ROLLED	0.1210DX0.192		3		
52	52		9006011-01		CR SCREW, MACH PAN	PHIL 4-		3		
53	53		9006557-00		CR NUT, HEX EXT TOOTH LCKWSHR	4-40		3		
54	54		9006632-00		CR WASHER, LOCK	INTERNAL STEEL		4		
55	55		9006706-00		CR WASHER, FLAT	NYLON		8		
56	56		9007794-01		CR SCREW, MACH PAN	PHIL 6-		8		
57	57		9007801-00		CR WASHER, HELICAL	SPLIT SST		8		
58	58		9009876-00		A SCREW, TAP PAN	PHIL THD CT 4-		4		
59	59		9009676-00		CR TERN, SOLDER	BARRIER STR		8		
60	60		9009769-00		CR WASHER, RECTINGLR	STEEL		3		
61	61		9107295-11		TUBING, TEFLON	.066ID		A/R		
62	62		1304867-00		7.0 K	.25 W 1.0 %	RN55D-F10	1		R17
63	63		1318546-11		26.70 K	.25 W 1.0 %	RN55D-F10	1		R18

D	I	G	I	T	A	L	TITLE	SECTION A OF A	SIZE	CODE	DOCUMENT NUMBER	REV
							REGULATOR BOARD		K	PL	5415096-0-DBP	E
							H7660					

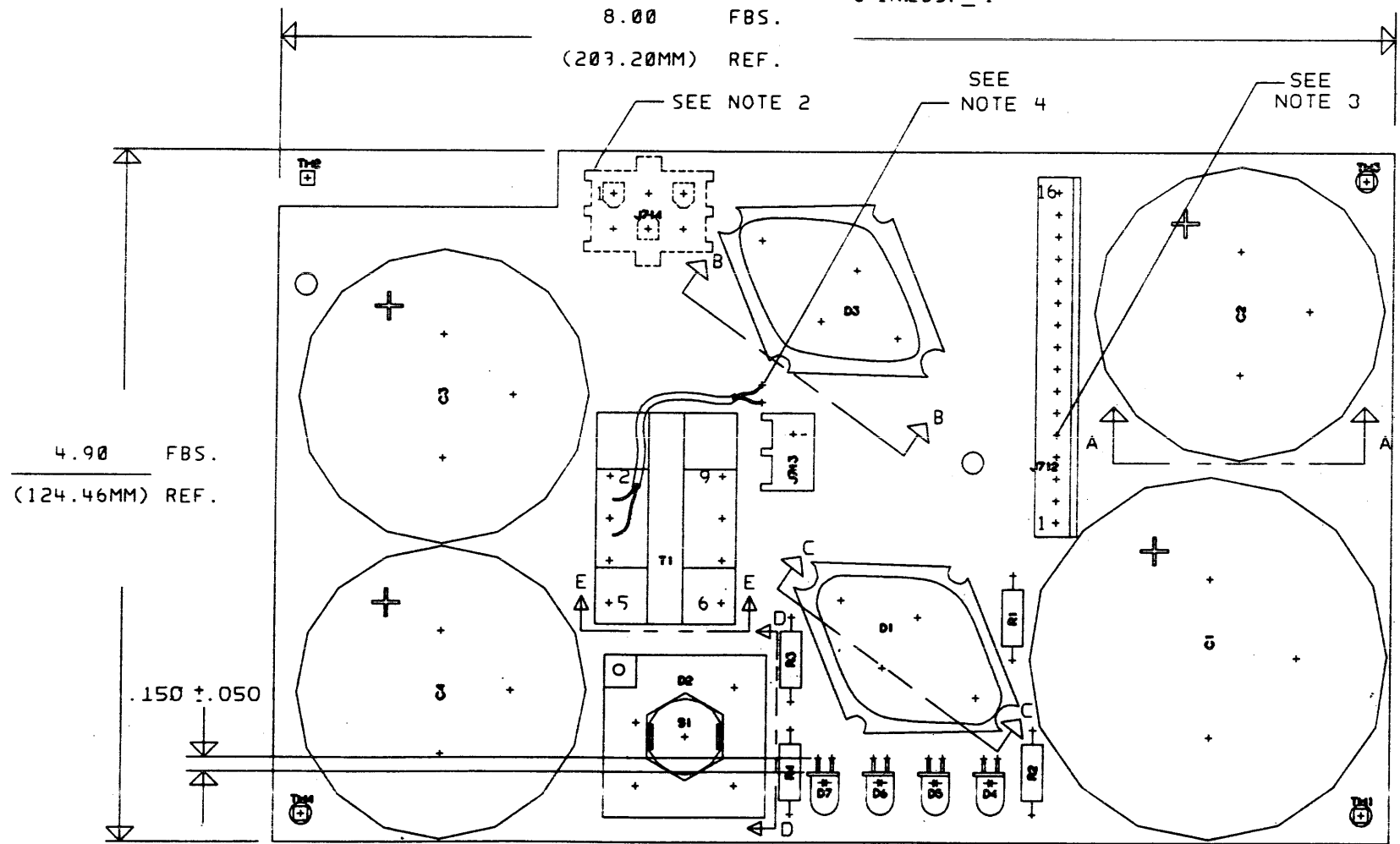
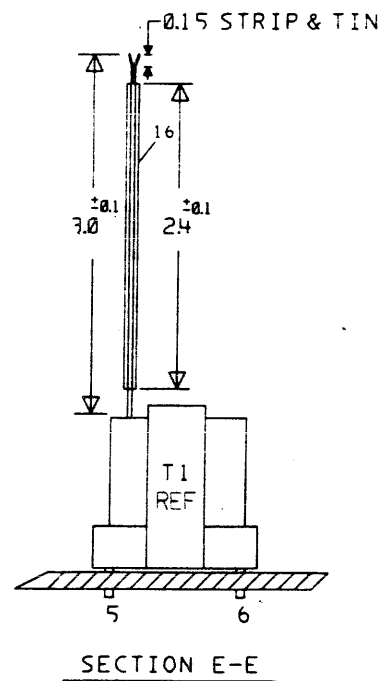
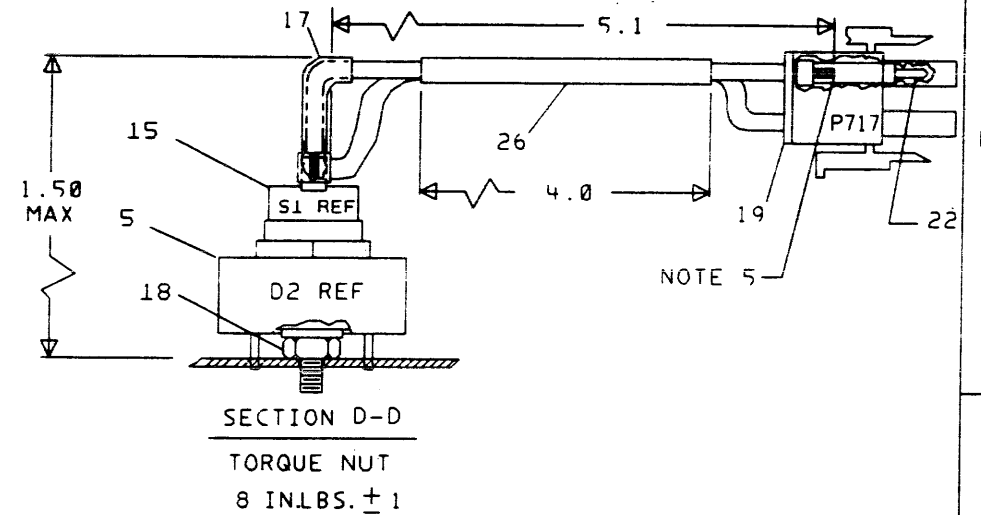
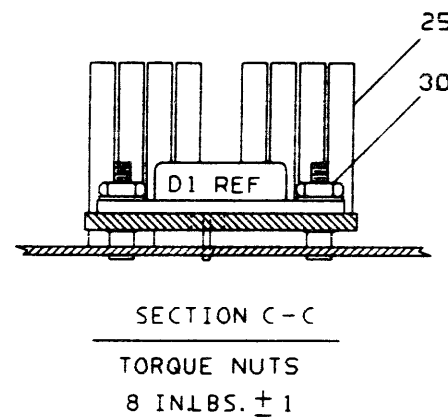
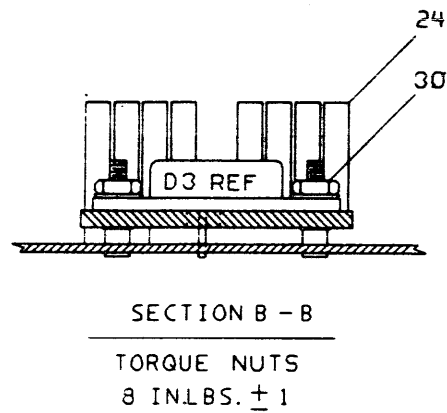
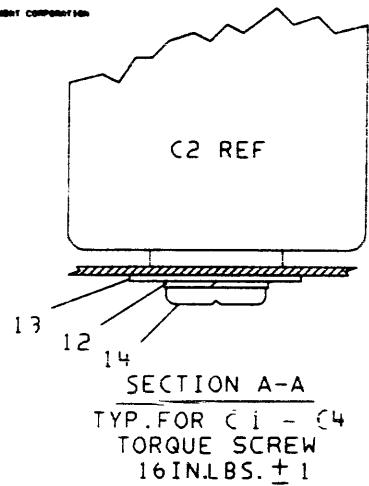


THIS DRAWING AND SPECIFICATIONS ARE THE PROPERTY OF DIGITAL EQUIPMENT CORPORATION AND SHALL NOT BE REPRODUCED OR COPIED OR USED IN ANY MANNER OR IN PART THEREOF WITHOUT THE WRITTEN PERMISSION OF DIGITAL EQUIPMENT CORPORATION. © 1984

REV.	CHG.	NO.	REV.
5415096-1			
5415096-1			
5415096-1			

DRN: <i>[Signature]</i>	DATE: 09-SEP-85	ENG: <i>[Signature]</i>	DATE: 12-2-85	TITLE: REGULATOR BOARD H7660
CHKD: <i>[Signature]</i>	DATE: 09-SEP-85	BOARD LOCATION: 1 OF 1	SHEET: 1 OF 1	SIZE CODE: K CS
39-SEP-83 08:58	NEXT HIGHER ASSEMBLY: K-DD-5415096-0-0	NUMBER: 5415096-0-1	REV: D	

THIS DRAWING AND SPECIFICATIONS HERETO, ARE THE PROPERTY OF DIGITAL EQUIPMENT CORPORATION AND SHALL NOT BE REPRODUCED OR COPIED OR USED IN WHOLE OR IN PART AS THE BASIS FOR THE MANUFACTURE OR SALE OF ITEMS WITHOUT WRITTEN PERMISSION.
 COPYRIGHT © 1962 DIGITAL EQUIPMENT CORPORATION



- NOTES:
1. THIS BOARD MUST MEET U.L. REQUIREMENTS FOR U.L. TYPE 1.
 2. MOUNT J714 ON SIDE 2 AND HAND SOLDER AFTER WAVE SOLDERING.
 3. CUT OR REMOVE PIN 5 OF J712 FOR KEYWAY.
 4. CROSS LEADS OVER T1 AND SOLDER 2 PLACES AS SHOWN (POLARITY NOT CRITICAL).
 5. STRIP WIRE BACK 1/8 IN. BEFORE CRIMP OF ITEM 22.

STEP	→ Y AXIS	STEP	TIMES
REPEAT	→ X AXIS	STEP	TIMES

CHANGE NO	REV

ETCH REV.	B
-----------	---

SIGNATURES		DATE	digital
DRN. <i>Manu Baines</i>		22 APR 62	
CHK. <i>D.S. ...</i>		4-20-62	TITLE H7660
MECH. ENG. <i>...</i>		5-1-62	
PROJ. ENG. <i>...</i>		5-1-62	CAPACITOR BOARD
PROD. <i>...</i>		5-1-62	
SCALE 2/1	SIZE CODE	NUMBER	REV
SHT. 1 OF 1	0 UA 5415094-0-A		
NEXT HIGHER ASSY.	8-DD-5415094-0		

AUTOMATED BY PRTLST.3P(44)

PARTS LIST

SHEET A1 OF A1

LINE ITEM TOP DOCUMENT

PART NUMBER MIN REV DESCRIPTION VARIATION REVISION LEVEL:

QTY PER VARIATION 00 A1

REFERENCE DESIGNATOR

1	1	B-MD-5015093-0-0	5015093-00		DRILL AND ETCH BD	1	
2	2		1018010-01		72,000 MFD 15V +75-10% AL EL	1	C2
3	3		1016239-00		19,000 MFD 40V +75-10% AL EL	2	C3,C4
4	4		1112723-00		RECT. ASSY PIV= 100 IO=25.00A	1	D1
5	5		1114245-00		RECT. ASSY PIV= 600 IO=30.00A	1	D2
6	6		1619286-01		XFMR,CURRENT RATIO 1:1:2:2:2000	1	T1
7	7		1216652-09		PCB,HEADER 16PIN(1X16).156CC STR	1	J712
8	8		1212297-00		MATE-N-LOK 02PIN(1X02).250CC HDR	1	J713
9	9		1212297-05		MATE-N-LOK 06PIN(2X03).250CC HDR	1	J714
10	10		1300308-00		390.0 .50 W 5.0 % CF	2	R1,R2
11	11		1300415-00		2.20 K .50 W 5.0 % CF	2	R3,R4
12	12		9007906-00		WASHER,HELICAL SPLIT STEEL	8	
13	13		9009950-01		WASHER,FLAT BRASS	8	
14	14		9000038-13		SCREW,MACH PAN PHIL 10-	8	
15	15	A-PS-1219953-0-0	1219953-01		THERMOSTAT,00177,C0212,NO W/.675	1	S1
16	16		9107303-11		TUBING,TEFLON .133ID	A/R	
17	17		9107255-01		TUBING,SHRINK .125ID EXP	2	
18	18		9010154-00		NUT,HEX EXT TOOTH LCKWSHR 8-32	1	
19	19	A-PS-1212167-0-0	1212167-02		MATE-N-LOK 02SKT(1X02).250CC HSG	1	
20	22	A-PS-1212169-0-0	1212169-00		MATE-N-LOK 01PIN 20-14AWG .0850D	2	
21	23		1114193-01		RECT. ASSY PIV= 600 IO=30.00A	1	D3
22	24		1219050-02		HEAT SINKS,TO-3 1.880X1.40	1	HSD3
23	25		1219050-00		HEAT SINKS,TO-3 1.880X1.40	1	HSD1
24	26		9107254-00		TUBING,SHRINK .187ID EXP	A/R	
25	28		1118196-01		LED 5MCD@20MA 2.1V GREEN	4	D4,D5,D6,D7
26	29		1016238-01		110,000 MFD 15V +75-10% AL EL	1	C1
27	30		9008185-00		NUT,HEX EXT TOOTH LCKWSHR 6-32	4	

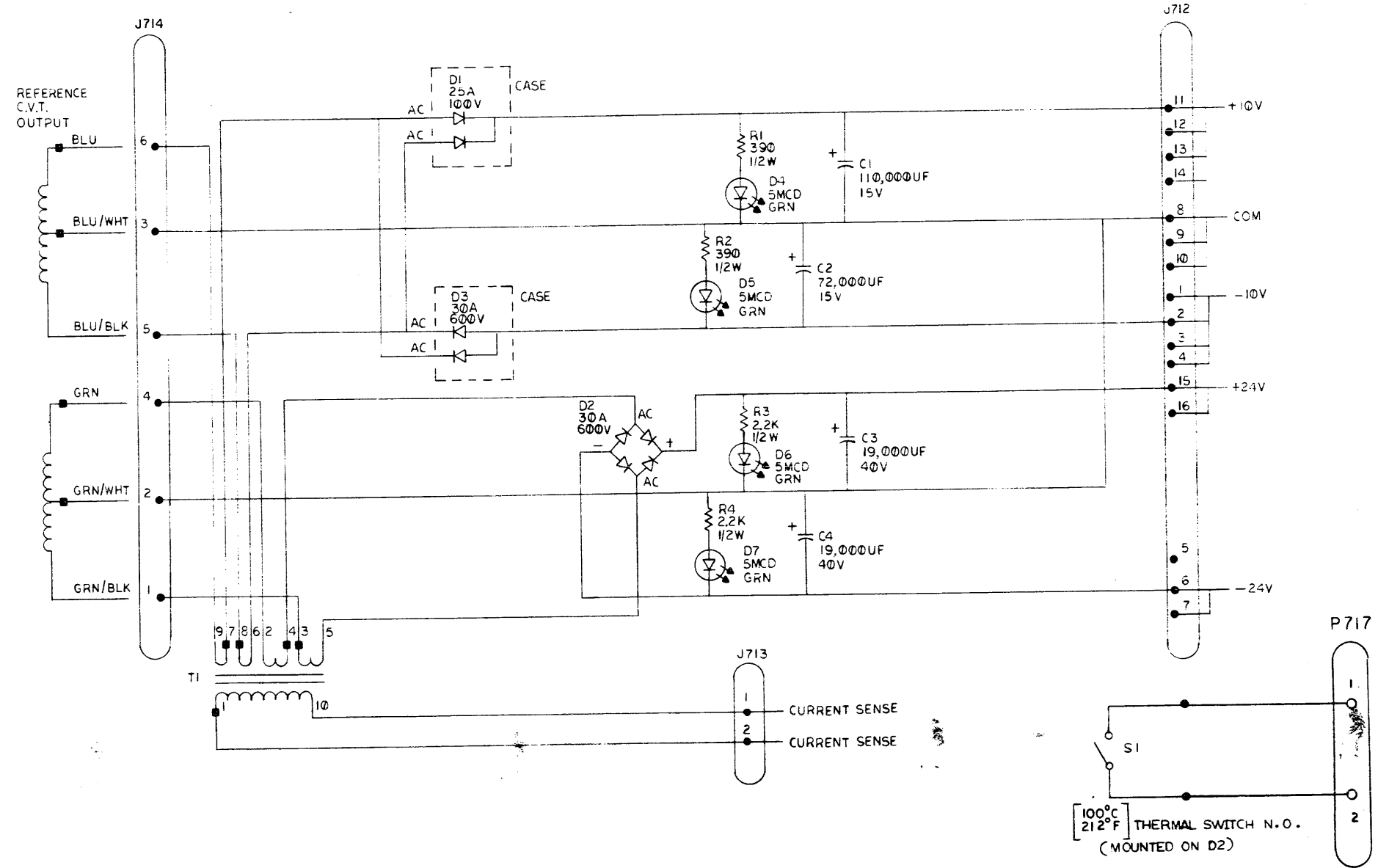
REVISION HISTORY		BASIC PART NO: 5415094		DRN: MIKE MC DONOUGH	DATE: 13-JUL-81	D I G I T A L		
ENG!	ECD NUMBER	REV	SECTION A OF A	CHK'D: D. BARRIERE	DATE: 17-JUL-81	TITLE PARTS LIST		
J.C.	PCA MD-026	AX04	SECTION.VARIATION INDEX			H7660 CAPACITOR BOARD		
J.C.	PCA MD-034	BX00	[A] 00			DOCUMENT NUMBER		
J.C.	PCA MD-072	BX01	[B]	DES.ENG: J. CROSS	DATE: 17-JUL-81	SIZE	CODE	NUMBER
J.C.	PCA MD-078	BX02	[C]					REV
J.C.	PCA MD-113	BX03	[D]	RESP.ENG.: J. CROSS	DATE: 17-JUL-81	K	PL	5415094-0-DBP
J.C.	PCA MD-122	A	[E]					B
RG	5415094-CX001	B	[F]	MFG.ENG.: W. EHRMAN	DATE: 17-JUL-81	RELEASE DATE: 07-FEB-85		
			[G]					
			[H]					
			[J]	ASSEMBLY NUMBER:	TOP DOCUMENT NUMBER:	FILE NAME:		EDIT #
			[K]	D-UA-5415094-0-0	B-DD-5415094-0-0	Z25298.FLS		33
			[L]					
			[M]					
			[N]					

JCS
2-7-85
R. Dunaway
2-7-85

THIS DRAWING AND THE SPECIFICATIONS CONTAINED HEREIN ARE CONFIDENTIAL AND PROPRIETARY. THEY ARE THE PROPERTY OF DIGITAL EQUIPMENT CORPORATION AND SHALL NOT BE REPRODUCED OR COPIED OR USED IN WHOLE OR IN PART AS THE BASIS FOR THE MANUFACTURE OR SALE OF ITEMS WITHOUT WRITTEN PERMISSION. THIS IS AN UNPUBLISHED WORK PROTECTED UNDER THE FEDERAL COPYRIGHT LAWS.

THIS DRAWING AND SPECIFICATIONS HEREIN ARE THE PROPERTY OF DIGITAL EQUIPMENT CORPORATION AND SHALL NOT BE REPRODUCED OR COPIED OR USED IN WHOLE OR IN PART AS THE BASIS FOR THE MANUFACTURE OR SALE OF ITEMS WITHOUT WRITTEN PERMISSION.
 COPYRIGHT © 1962 DIGITAL EQUIPMENT CORPORATION

CS 5415094-0-1 A



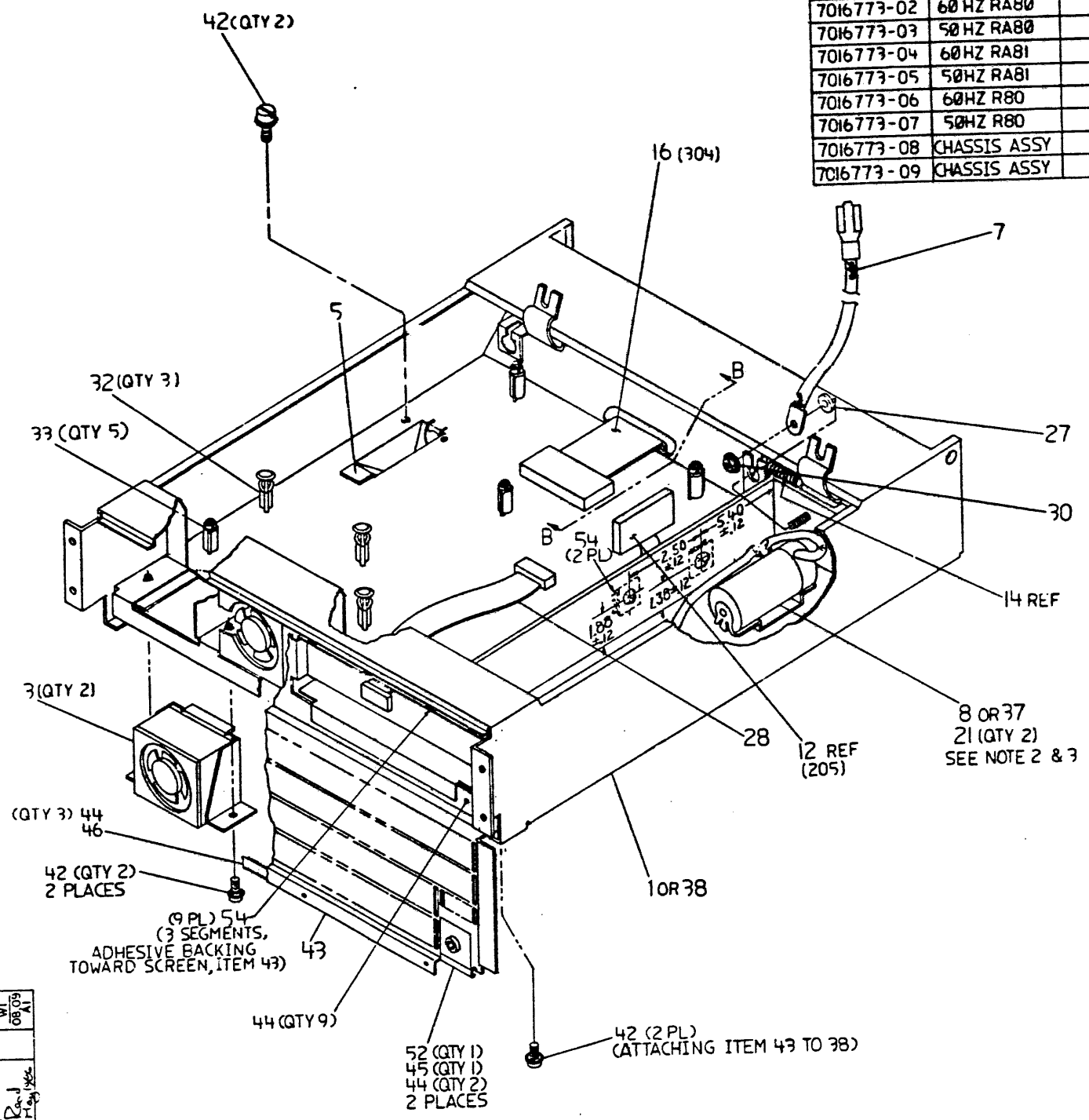
REV.	DATE	ECO NUMBER

<table border="1"> <tr> <td>DATE</td> <td>19 AUG 61</td> </tr> <tr> <td>CHKD.</td> <td></td> </tr> <tr> <td>DESIGN</td> <td></td> </tr> <tr> <td>PREP</td> <td></td> </tr> <tr> <td>DATE</td> <td></td> </tr> <tr> <td>DATE</td> <td>21 AUG 62</td> </tr> <tr> <td>DATE</td> <td></td> </tr> </table>	DATE	19 AUG 61	CHKD.		DESIGN		PREP		DATE		DATE	21 AUG 62	DATE		<table border="1"> <tr> <td>TITLE</td> <td>H7660 CAPACITOR BOARD</td> </tr> <tr> <td>DOCUMENT NUMBER</td> <td>CS 5415094-0-1 A</td> </tr> <tr> <td>SCALE</td> <td>MLI</td> </tr> <tr> <td>SHEET</td> <td>1</td> </tr> </table>	TITLE	H7660 CAPACITOR BOARD	DOCUMENT NUMBER	CS 5415094-0-1 A	SCALE	MLI	SHEET	1
DATE	19 AUG 61																						
CHKD.																							
DESIGN																							
PREP																							
DATE																							
DATE	21 AUG 62																						
DATE																							
TITLE	H7660 CAPACITOR BOARD																						
DOCUMENT NUMBER	CS 5415094-0-1 A																						
SCALE	MLI																						
SHEET	1																						

THIS DRAWING AND THE SPECIFICATIONS CONTAINED HEREIN ARE CONFIDENTIAL AND PROPRIETARY. THEY ARE THE PROPERTY OF DIGITAL EQUIPMENT CORPORATION AND SHALL NOT BE REPRODUCED OR COPIED OR USED IN WHOLE OR IN PART AS THE BASIS FOR MANUFACTURE OR SALE OF ITEMS WITHOUT WRITTEN PERMISSION. THIS IS AN UNCLASSIFIED WORK PROTECTED UNDER THE PATENT, COPYRIGHT LAWS.

LEGEND		
PART NO.	VARIATION	PART REV
7016773-00	60 HZ 120V	VI
7016773-01	50 HZ 240V	VI
7016773-02	60 HZ RAB0	WI
7016773-03	50 HZ RAB0	WI
7016773-04	60 HZ RAB1	WI
7016773-05	50 HZ RAB1	WI
7016773-06	60 HZ R80	WI
7016773-07	50 HZ R80	WI
7016773-08	CHASSIS ASSY	AI
7016773-09	CHASSIS ASSY	AI

- NOTES:
- ITEM 7, (INSULATOR) TO BE SHRINK FITTED INTO PLACE AS SHOWN (5 PLACES).
 - 43-53 μ F START CAPACITOR REQUIRED IN DRIVES EQUIPPED WITH 50HZ MOTOR. PART NO. I216578-01.
 - 53-64 μ F START CAPACITOR REQUIRED IN DRIVES EQUIPPED WITH 50HZ MOTOR PART NO. I216578-02.
 - ITEM 14 TO BE PLACED AS CLOSE TO HINGE CUT-OUT AS POSSIBLE, IT MAY PROTRUDE SLIGHTLY OVER SHELF.



CAUTION: OFF-SHEET PARTS LIST EXISTS.
SEE K-PL-7016773-0-DBP (Z0495).

TOP DOC: D-AD-7016773-0-0

DESCRIPTION	DRAWING NO.	PART NO.	ITEM NO.					
UNLESS OTHERWISE SPECIFIED DIMENSIONS ARE IN INCHES AND THE FOLLOWING TOLERANCES APPLY (PER DEC STD 114)								
INCHES TOLERANCES	ANGLES ± 1°	DIMENSION RANGES IN INCHES						
	SURFACE QUALITY	CHECK ONE	OVER 9 TO 0.2	OVER 1.2 TO 4.9	OVER 4.9 TO 12.0	OVER 12.0 TO 48.0	OVER 48.0 TO 96.0	
✓		<input type="checkbox"/>	± .02	± .05	± .08	± .10		
QUANTITY & VARIATION	MICROINCHES	<input type="checkbox"/>	± .024	± .030	± .012	± .014	± .024	± .04
THIRD ANGLE PROJECTION	DATE	TITLE						
	M. ENGLE 8 MAR 79	LOGIC CHASSIS ASSEMBLY						
DO NOT SCALE DRAWING	DATE	DOCUMENT NUMBER						
REMOVE BURRS AND BREAK SHARP CORNERS	G. NORDBERG 21 SEP 79	D-AD-7016773-0-0						
MATERIAL SEE PARTS LIST	DATE	SCALE						
	B. MONTERO 20 SEP 79	NONE						
	DATE	SHEET						
	W. BASSETT 25 JAN 80	1 OF 2						
	DATE							
	D-AD-7018446-0-0							

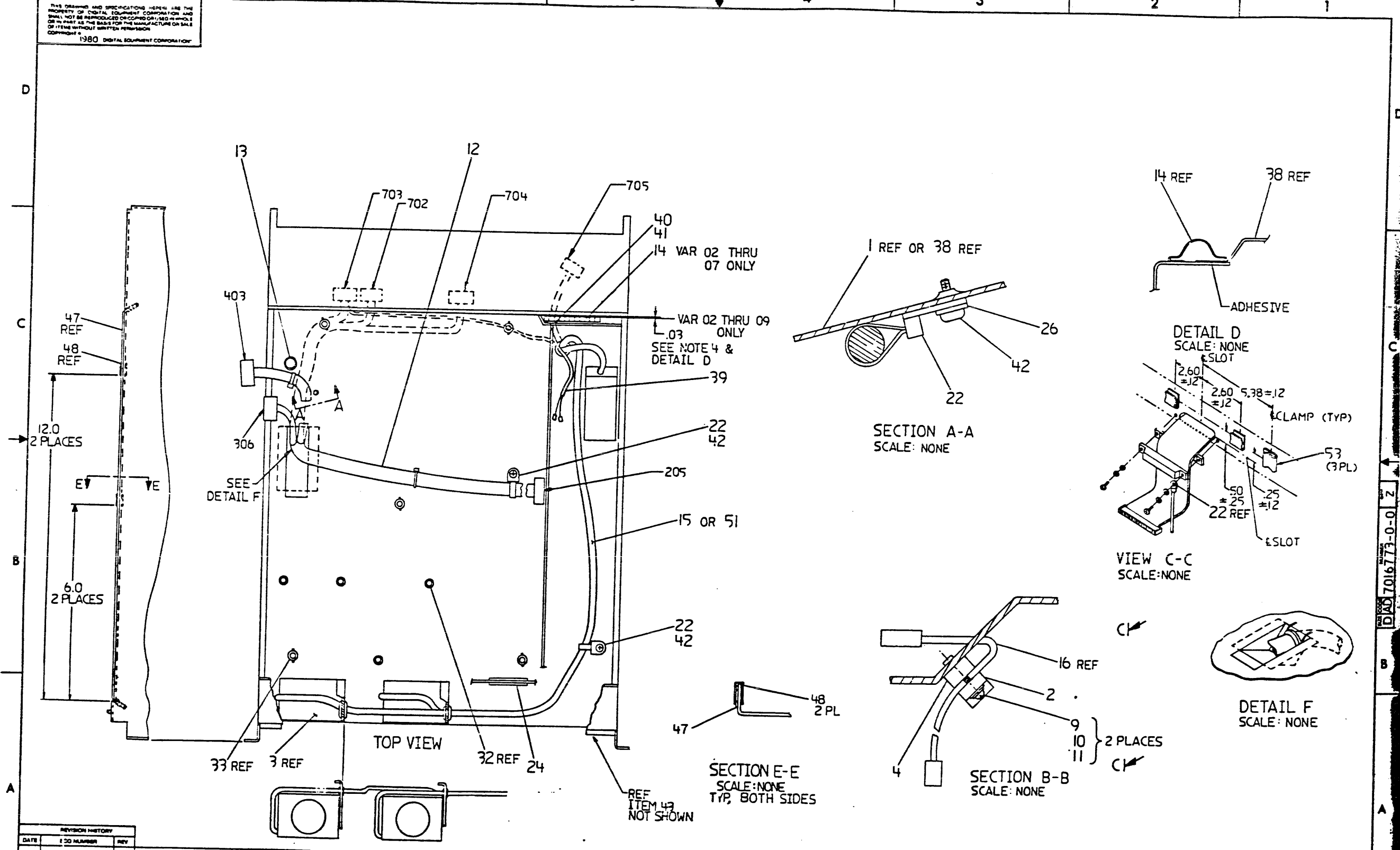
DATE	ECO NUMBER	REV	BY	CHKD	APP'D
11/83	R80-CX23A	01	07	UI	
11/83	J. READ	02	07	VI	
11/83	R80-CX24A	00	01	VI	
11/83	J. READ	01	01	VI	
11/83	R80-CX25A	00	01	VI	
11/83	J. READ	01	01	VI	
11/83	R80-CX26A	00	01	VI	
11/83	J. READ	01	01	VI	
11/83	R80-CX27A	00	01	VI	
11/83	J. READ	01	01	VI	
11/83	R80-CX28A	00	01	VI	
11/83	J. READ	01	01	VI	
11/83	R80-CX29A	00	01	VI	
11/83	J. READ	01	01	VI	
11/83	R80-CX30A	00	01	VI	
11/83	J. READ	01	01	VI	
11/83	R80-CX31A	00	01	VI	
11/83	J. READ	01	01	VI	
11/83	R80-CX32A	00	01	VI	
11/83	J. READ	01	01	VI	
11/83	R80-CX33A	00	01	VI	
11/83	J. READ	01	01	VI	
11/83	R80-CX34A	00	01	VI	
11/83	J. READ	01	01	VI	
11/83	R80-CX35A	00	01	VI	
11/83	J. READ	01	01	VI	
11/83	R80-CX36A	00	01	VI	
11/83	J. READ	01	01	VI	
11/83	R80-CX37A	00	01	VI	
11/83	J. READ	01	01	VI	
11/83	R80-CX38A	00	01	VI	
11/83	J. READ	01	01	VI	
11/83	R80-CX39A	00	01	VI	
11/83	J. READ	01	01	VI	
11/83	R80-CX40A	00	01	VI	
11/83	J. READ	01	01	VI	
11/83	R80-CX41A	00	01	VI	
11/83	J. READ	01	01	VI	
11/83	R80-CX42A	00	01	VI	
11/83	J. READ	01	01	VI	
11/83	R80-CX43A	00	01	VI	
11/83	J. READ	01	01	VI	
11/83	R80-CX44A	00	01	VI	
11/83	J. READ	01	01	VI	
11/83	R80-CX45A	00	01	VI	
11/83	J. READ	01	01	VI	
11/83	R80-CX46A	00	01	VI	
11/83	J. READ	01	01	VI	
11/83	R80-CX47A	00	01	VI	
11/83	J. READ	01	01	VI	
11/83	R80-CX48A	00	01	VI	
11/83	J. READ	01	01	VI	
11/83	R80-CX49A	00	01	VI	
11/83	J. READ	01	01	VI	
11/83	R80-CX50A	00	01	VI	
11/83	J. READ	01	01	VI	

DAD 7016773-0-0

1 of 2

THIS DRAWING AND SPECIFICATIONS HEREBY ARE THE PROPERTY OF DIGITAL EQUIPMENT CORPORATION AND SHALL NOT BE REPRODUCED OR COPIED OR IN WHOLE OR IN PART AS THE BASIS FOR THE MANUFACTURE OR SALE OF ITEMS WITHOUT WRITTEN PERMISSION. COPYRIGHT © 1980 DIGITAL EQUIPMENT CORPORATION.

DAD7016773-0-0 Z



REVISION HISTORY		
DATE	ISS NUMBER	REV

TITLE LOGIC CHASSIS ASSEMBLY

DOCUMENT NUMBER		
SIZE CODE	NUMBER	REV
DAD	7016773-0-0	Z
SCALE NONE	SHEET 2	OF 2

AUTOMATED BY VAXKPL (V1.1)

PARTS LIST

SHEET A1 OF A2

LINE ITEM	TOP DOCUMENT	PART NUMBER	MIN REV	DESCRIPTION	QUANTITY PER VARIATION/REVISION										
					00 V1	01 V1	02 W1	03 W1	04 W1	05 W1	06 W1	07 W1	08 A1	09 A1	
1	D-IA-7016778-0-0	70-16778-00		LOGIC WELDMENT	1	1	-	-	-	-	-	-	-	-	-
2	C-MD-7421465-0-0	74-21465-00		STRAIN RELIEF (TOP)	1	1	1	1	1	1	1	1	1	-	-
3	C-AD-7016745-0-0	70-16745-00		FAN AND BRACKET ASSY.	2	2	2	2	2	2	2	2	2	-	-
4	C-MD-7422445-0-0	74-22445-00		STRAIN RELIEF (BOTTOM)	1	1	1	1	1	1	1	1	1	-	-
5	C-MD-7422702-0-0	74-22702-00		RETAINER, LOGIC CABLE	1	1	1	1	1	1	1	1	1	-	-
6		12-16878-00		*** THIS ITEM IS NOT USED ***	-	-	-	-	-	-	-	-	-	-	-
7	D-IA-7017610-0-0	70-17610-0E		STRAP, GROUNDING (5")	1	1	1	1	1	1	1	1	1	-	-
8		10-16924-01 A		297 TO 324MFD 165V	1	-	1	-	1	-	1	-	-	-	-
9		90-06015-01		SCREW, MACH PAN PHIL 4-40	2	2	2	2	2	2	2	2	2	-	-
10		90-06655-00		WASHER, FLAT SST	2	2	2	2	2	2	2	2	2	-	-
11		90-06688-00		WASHER, HELICAL SPLIT SST	2	2	2	2	2	2	2	2	2	-	-
12	E-IA-7018331-0-0	70-18331-00		LOGIC DC POWER HARNESS (WOVEN)	1	1	1	1	1	1	1	1	1	-	-
13		90-07018-00		GROMMET, ROUND RUBBER	1	1	1	1	1	1	1	1	1	-	-
14		12-22063-02		SHIELD, EMI/RFI FINGERS	-	-	1	1	1	1	1	1	1	-	-
15	D-IA-7016733-0-0	70-16733-00		LOGIC AC HARNESS	1	1	-	-	-	-	-	-	-	1	-
16	C-IA-7016739-0-0	70-16739-00		READ/WRITE CABLE ASSY.	1	1	1	1	1	1	1	1	1	-	-
17	C-IA-7016737-0-0	70-16737-00		*** THIS ITEM IS NOT USED ***	-	-	-	-	-	-	-	-	-	-	-
18	C-IA-7016738-0-0	70-16738-00		*** THIS ITEM IS NOT USED ***	-	-	-	-	-	-	-	-	-	-	-
19	B-IA-7016735-0-0	70-16735-00		*** THIS ITEM IS NOT USED ***	-	-	-	-	-	-	-	-	-	-	-
20	D-IA-7016980-0-0	70-16980-00		*** THIS ITEM IS NOT USED ***	-	-	-	-	-	-	-	-	-	-	-
21		90-00052-26 A		RIVET, REPETITION CLINCH .156DIA	-	-	-	-	-	-	-	-	-	2	-
22		90-07033-00		TIE, CABLE BUNDL. DIA 0-1-3/4"=101	4	4	4	4	4	4	4	4	4	-	-
23		90-06560-00		*** THIS ITEM IS NOT USED ***	-	-	-	-	-	-	-	-	-	-	-
24		90-07035-00		GROMMET, CATERPILLAR POLYAMIDE	1	A/R	A/R	A/R	A/R	A/R	A/R	A/R	A/R	-	-
25		90-09708-00		*** THIS ITEM IS NOT USED ***	-	-	-	-	-	-	-	-	-	-	-
26		90-06659-00		*** THIS ITEM IS NOT USED ***	-	-	-	-	-	-	-	-	-	-	-
27		90-07651-00		WASHER, LOCK EXTERNAL STEEL	1	1	1	1	1	1	1	1	1	-	-
28	C-IA-7016740-0-0	70-16740-00		CONTROL PANEL CABLE ASSY	-	-	-	-	-	-	-	-	-	1	1
29	C-IA-7016737-0-0	70-16737-01		*** THIS ITEM IS NOT USED ***	-	-	-	-	-	-	-	-	-	-	-
30		90-06565-00		NUT, HEX EXT TOOTH LCKWSHR 10-32X	1	1	1	1	1	1	1	1	1	-	-
31		90-06024-01		SCREW, MACH PAN PHIL 6-32	1	1	-	-	-	-	-	-	-	-	-
32		12-23075-02		STANDOFF PC BOARD NYLON	3	3	3	3	3	3	3	3	3	-	-

REVISION HISTORY			KPL MATRIX FORMAT SECTION A OF A			M. ENGLE			DIGITAL			
ENG	ECO NUMBER	REV	SECTION/VARIATION INDEX			DATE:	B. MAJOR			PARTS LIST		
JN	7016773-CX005	K	[A]	00,01,02,03,04,05,06,07,08,09		30-JUL-84	DATE: 30-JUL-84			LOGIC CHASSIS ASSEMBLY		
JN	R80-CX010	L	[B]				DES. ENG: A. CLARK			DOCUMENT NUMBER		
JN	7018446-CX002	M	[C]				DATE: 30-JUL-84			NUMBER		
GN	7019062-CX002	N	[D]				RESP. ENG.: B. MONTERO			REV		
JR	R80-CX14A	P	[E]				DATE: 30-JUL-84			K PL 7016773-0-DBP Z		
JR	7019062-CX004	R	[F]				MFG. ENG: W. EHRMANN			RELEASE DATE: 17-APR-86		
JR	R80-CX17A	S	[H]				DATE: 30-JUL-84			RELEASE STATUS: RELEASED		
JR	7019062-CX009	T	[J]									
JR	7016773-CX006	U										
JR	R80-CX23A	V										
JR	R80-CX24A	W										
JR	R80-CX25A	Y										
JR	7016773-CX007	Z										

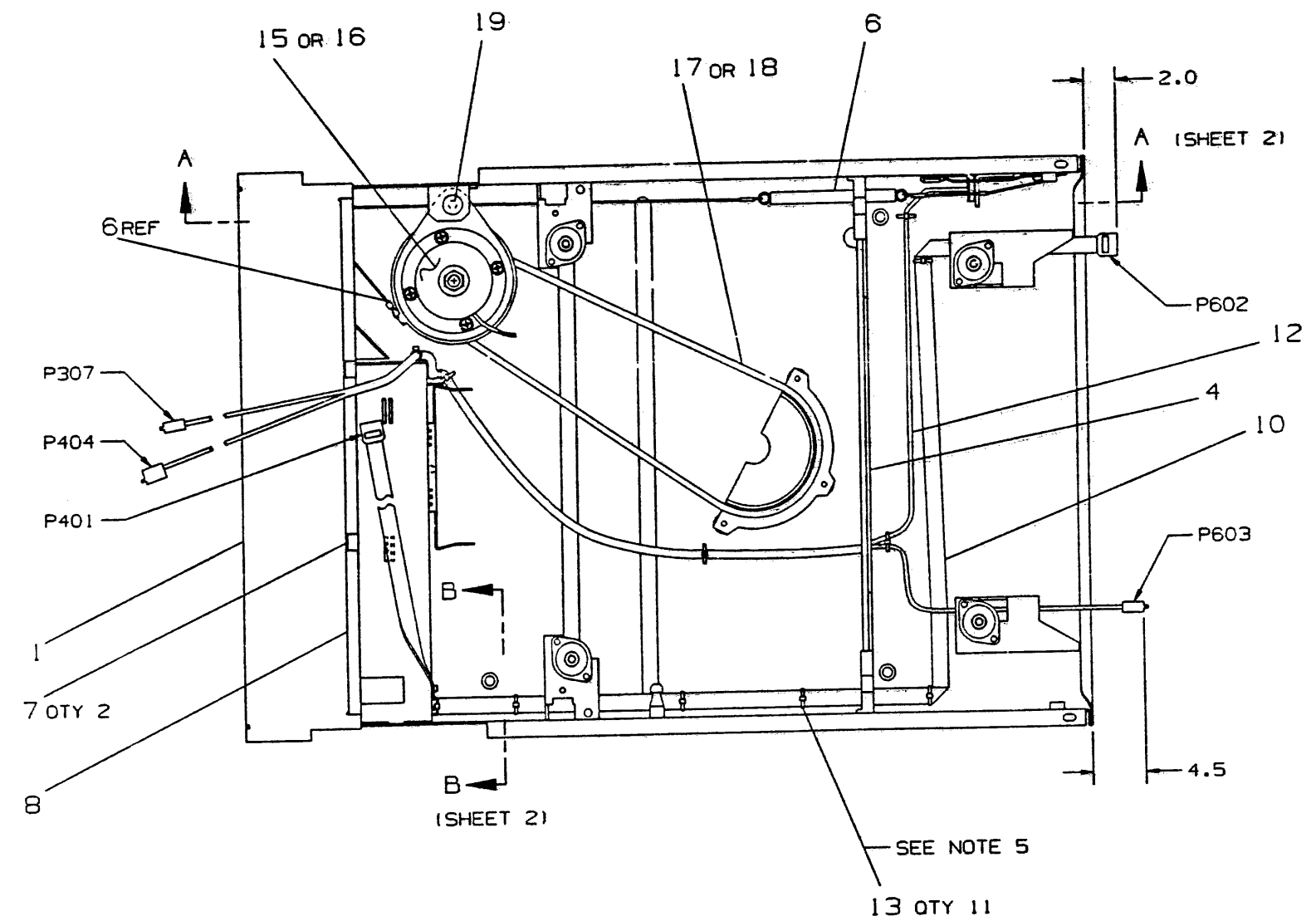
Handwritten: 28 APR 86

"THIS DRAWING AND THE SPECIFICATIONS CONTAINED HEREIN ARE CONFIDENTIAL AND PROPRIETARY. THEY ARE THE PROPERTY OF DIGITAL EQUIPMENT CORPORATION AND SHALL NOT BE REPRODUCED OR COPIED OR USED IN WHOLE OR IN PART AS THE BASIS FOR THE MANUFACTURE OR SALE OF ITEMS WITHOUT WRITTEN PERMISSION. THIS IS AN UNPUBLISHED WORK PROTECTED UNDER THE FEDERAL COPYRIGHT LAWS."

THIS DRAWING AND THE SPECIFICATIONS CONTAINED HEREIN ARE CONFIDENTIAL AND PROPRIETARY. THEY ARE THE PROPERTY OF DIGITAL EQUIPMENT CORPORATION AND SHALL NOT BE REPRODUCED OR COPIED OR USED IN WHOLE OR IN PART AS THE BASIS FOR THE MANUFACTURE OR SALE OF ITEMS WITHOUT WRITTEN PERMISSION. THIS IS AN UNPUBLISHED WORK PROTECTED UNDER THE FEDERAL COPYRIGHT LAWS.

LEGEND		
PART NO.	VARIATION	PART REV
70-16741-00	LOWER CHASSIS ASSEMBLY (120, 50HZ)	VI
70-16741-01	LOWER CHASSIS ASSEMBLY (240V, 50HZ)	VI

- NOTES:
1. WORKMANSHIP TO COMPLY WITH DEC STD 116.
 2. PART TO BE PACKAGED TO PREVENT DAMAGE IN HANDLING AND SHIPPING PER VENDOR SPEC.
 3. TORQUE SCREWS (ITEM 2) TO 3.0 ±0.5 LBS.
 4. BLUE WIRE AND WHITE WIRE MAY BE REVERSED.
 5. APPLY ITEM 13 WITH MINIMUM SETTING ON TIE-WRAP GUN.



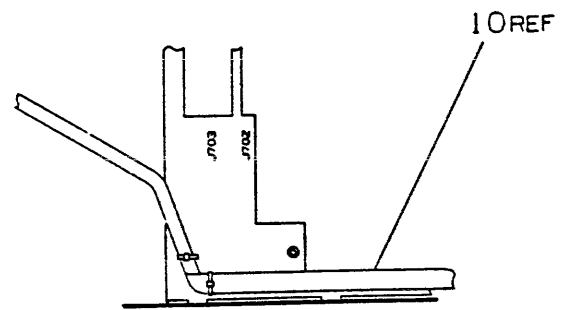
TOLERANCES	
INCHES	ANGLES
.XX ±.1	±0° 30'
.XXX ±.02	
.XXXX ±.005	
SURFACE QUALITY	
MICROINCHES	

CAUTION: OFF-SHEET PARTS LIST EXISTS. SEE K-PL-7016741-0-DBP (204861).
 TOR DOC: K-AD-7016741-0-DBU
 MAG MEDIA FILE NAME: 7016741-0-DBU
 DATA BASE 1/1, PLOT AT .50

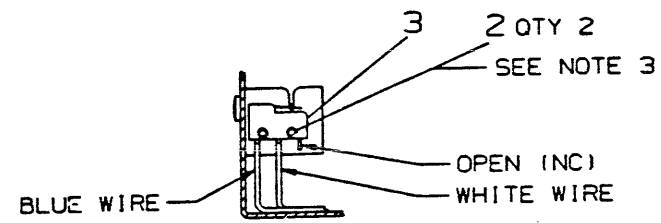
REVISION HISTORY	
DATE	ECO NUMBER
43	7019062-CX015
44	K.O. 10 JUN 86
45	J. READ
46	J. READ
47	J. READ
48	J. READ
49	J. READ
50	J. READ

THIRD ANGLE PROJECTION		DRN	DATE	TITLE
		M. TUSLER	22AUG79	digital LOWER CHASSIS ASSEMBLY
DO NOT SCALE DRAWING		W. MAJOR	4SEP79	
REMOVE BURRS AND BREAK SHARP CORNERS		J. NORCBERG	21SEP79	DOCUMENT NUMBER
MATERIAL SEE PARTS LIST		B. MONTERO	20SEP79	
FINISH		B. BASSETT	20SEP79	SIZE CODE NUMBER REV K AD 7016741-0-DBU V
NEXT HIGHER ASSEMBLY		D-AD-7018446-0-0	SCALE NONE SHEET 1 OF 2	

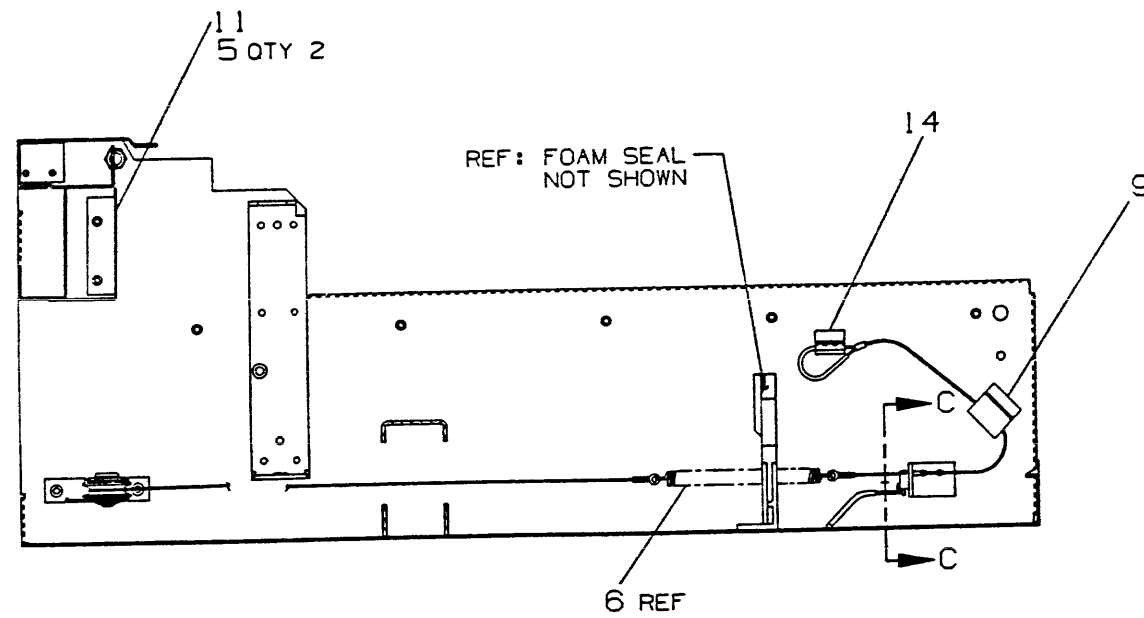
THIS DRAWING AND THE SPECIFICATIONS CONTAINED HEREIN ARE CONFIDENTIAL AND PROPRIETARY. THEY ARE THE PROPERTY OF DIGITAL EQUIPMENT CORPORATION AND SHALL NOT BE REPRODUCED OR COPIED OR USED IN WHOLE OR IN PART AS THE BASIS FOR THE MANUFACTURE OR SALE OF ITEMS WITHOUT WRITTEN PERMISSION. THIS IS AN UNPUBLISHED WORK PROTECTED UNDER THE FEDERAL COPYRIGHT LAWS.



SECTION B-B
FROM SHEET 1



SECTION C-C
SEE NOTE 4



SECTION A-A
FROM SHEET 1

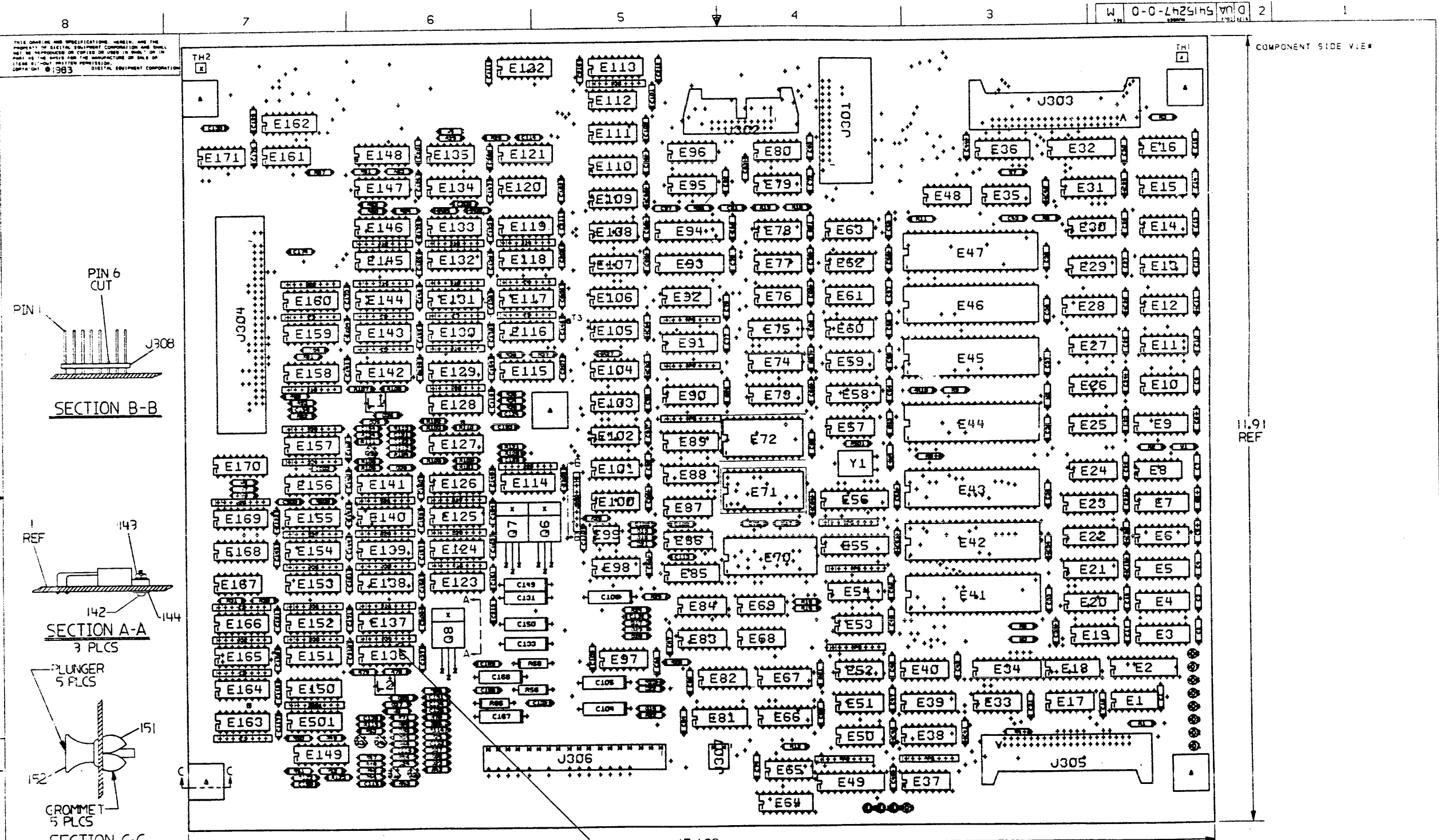
TITLE		LOWER CHASSIS ASSEMBLY		SIZE CODE	K AD	NUMBER	7016741-0-DBU	REV	V
MAG MEDIA FILE NAME:		7016741-0-DBUV		SCALE:	NONE	SHEET 2 OF 2		PLOT AT .50	

PARTS LIST

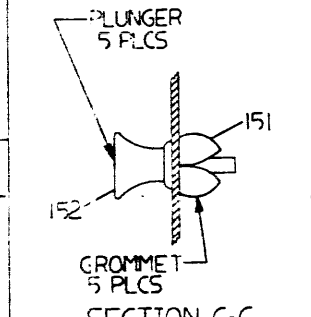
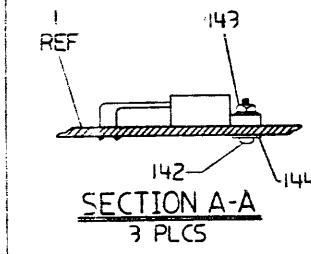
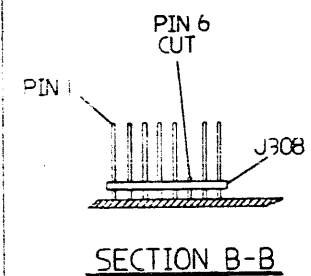
LINE ITEM	TOP DOCUMENT	PART NUMBER	MIN REV	DESCRIPTION	00 V1	01 V1
1	K-IA-7021171-0-DBU	70-21171-01		CHASSIS SUB ASSEMBLY	1	1
2		90-00042-15 A		SCREW,CAP ALLEN 2-56	2	2
3		12-22845-01 A		SW.SUBMINI,SPDT,LEVER ACTUATOR 0.1	1	1
4	K-IA-7021571-0-DBU	70-21571-01		HDA BOTTOM BAFFLE ASSEMBLY	1	1
5		90-09984-00 B		SCREW,SEMS PAN PHIL 5-32	2	2
6	K-IA-7021592-0-DBU	70-21592-01		CABLE SPRING ASSEMBLY	1	1
7		90-09748-00		CLIP,"U", .50 LG X .34 HIGH X .132	2	2
8	D-IA-7429936-0-0	74-29936-02 A		GASKET,EMI SEALING,14.8"	1	1
9		90-09636-00		CLAMP,CABLE ADH MNT	1	1
10	K-IA-7021469-0-DBU	70-21469-01		SERVO PRE-AMP CABLE ASSEMBLY	1	1
11	K-IA-7021169-0-DBU	70-21169-01		MOTOR BAFFLE ASSEMBLY	1	1
12	D-IA-7021452-0-0	70-21452-01		BELT TENSION SWITCH HARNESS	1	1
13		90-07031-00 B		TIE,CABLE BUNDL.DIA 0- 3/4"=101	12	12
14		90-09771-04 A		CLAMP,CABLE,U CLIP,ADH.BACK 5/16	1	1
15	D-AD-7021173-0-0	70-21173-01		MOTOR/BRAKE ASSEMBLY (60HZ)	1	-
16	D-AD-7021173-0-0	70-21173-02		MOTOR/BRAKE ASSEMBLY (50HZ)	-	1
17		12-12635-06 A		BELT,WOVEN,ENDLESS,.500WX34.96LG	1	-
18		12-12635-07 A		BELT,WOVEN,ENDLESS,.500WX36.07LG	-	1
19	K-MD-7429709-0-DBU	74-29709-01 A		ROD,MOTOR PIVOT	1	1

REVISION HISTORY			KPL MATRIX FORMAT SECTION A OF A		DRN: R. TUSLER	DIGITAL				
ENG	ECO NUMBER	REV	SECTION/VARIATION INDEX		DATE: 14-AUG-79	TITLE PARTS LIST				
R.W. JR	7019062-CX015	V	[A]	00,01	CHK'D: R. THELLEN	LOWER CHASSIS ASSEMBLY				
1 Jul 86	<i>John Reed 18 July 86</i>		[B]		DATE: 14-AUG-79					
			[C]		DES.ENG: A. CLARK	DOCUMENT NUMBER				
			[D]		DATE: 14-AUG-79	SIZE	CODE	NUMBER	REV	
			[E]		RESP.ENG.: W. MONTERO	K	PL	7016741-0-DBP	V	
			[F]		DATE: 14-AUG-79					
			[G]		MFG.ENG: W. EHRMANN	RELEASE DATE: 24-JUN-86				
			[H]		DATE: 16-JAN-80	RELEASE STATUS: RELEASED				
			[I]							
			[J]							
BASIC PART NUMBER:			ASSEMBLY NUMBER:		TOP DOCUMENT NUMBER:		FILE NAME:		EDIT #	
7016741			K-AD-7016741-0-DBU		K-AD-7016741-0-DBU		Z0486V.PLS		3	

"THIS DRAWING AND THE SPECIFICATIONS CONTAINED HEREIN ARE CONFIDENTIAL AND PROPRIETARY. THEY ARE THE PROPERTY OF DIGITAL EQUIPMENT CORPORATION AND SHALL NOT BE REPRODUCED OR COPIED OR USED IN WHOLE OR IN PART AS THE BASIS FOR THE MANUFACTURE OR SALE OF ITEMS WITHOUT WRITTEN PERMISSION. THIS IS AN UNPUBLISHED WORK PROTECTED UNDER THE FEDERAL COPYRIGHT LAWS."



THIS DRAWING AND SPECIFICATIONS HEREIN ARE THE PROPERTY OF DIGITAL EQUIPMENT CORPORATION AND SHALL NOT BE REPRODUCED OR COPIED IN WHOLE OR IN PART FOR THE DESIGN AND THE MANUFACTURE OF SUCH OF ITEMS WITHOUT WRITTEN PERMISSION.
 DATE: 01/1983 DIGITAL EQUIPMENT CORPORATION



NOTES: 1. UNUSED ARE: Z14, T3.
 2. SPARES ARE: E24, E52, E60, E61, E148, C1, R2

STEP	↑ Y AXIS	STEP	TIMES
REPEAT	→ X AXIS	STEP	TIMES

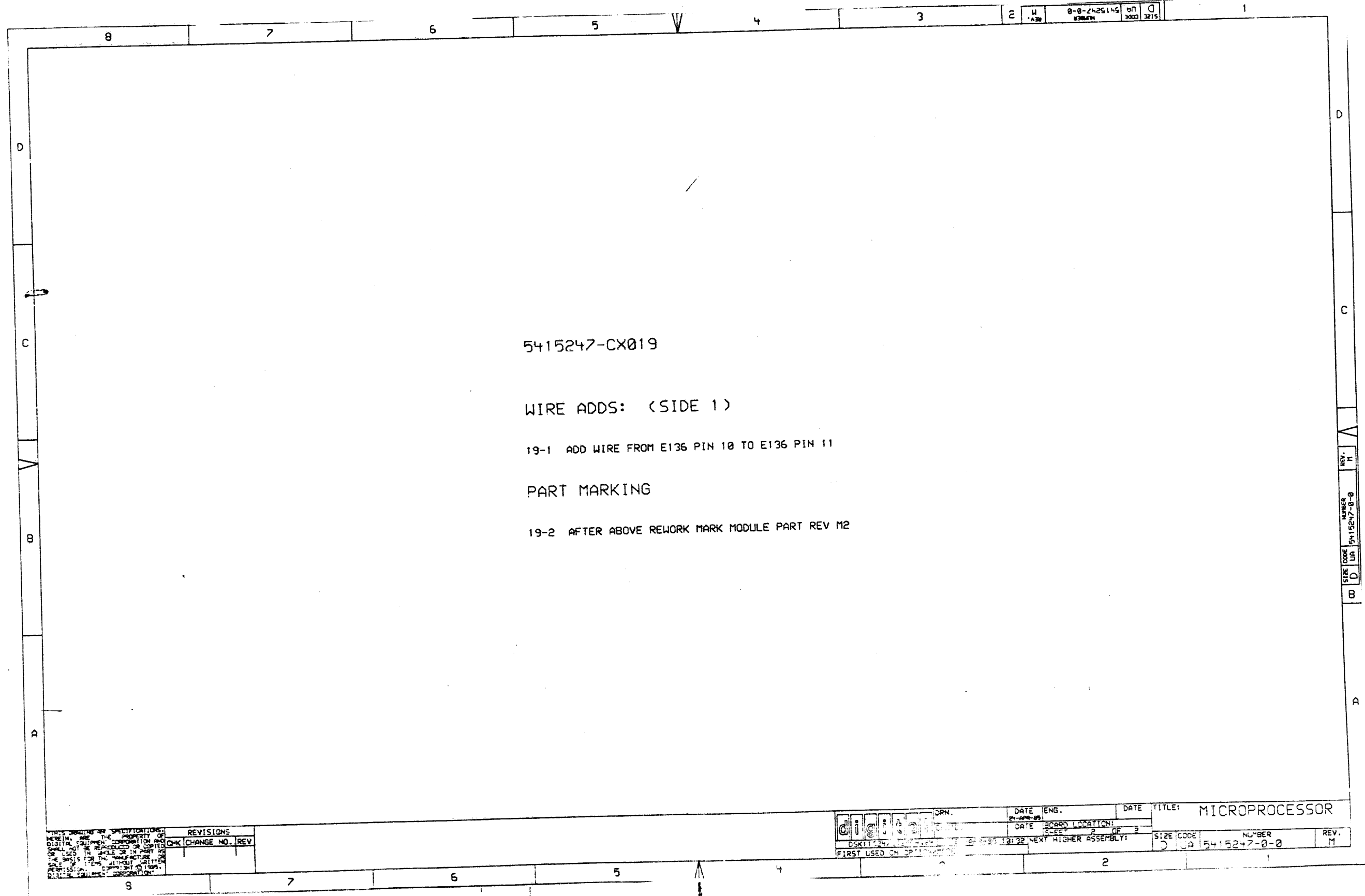
CH	NO	REV	BY	DATE
H	5415247-		J. HAPPELL	
J	5415247-		S. MCARDON	
K	5415247-		S. MCARDON	
L	5415247-		S. MCARDON	
M	5415247-		S. MCARDON	

19-1	15.688 REF
------	------------

ETCH REV. C1-02

SIGNATURES	DATE	digital
DRN. 92 Revise	SEP	
CHK'D.		TITLE
MECH. ENG.		MICROPROCESSOR
PROJ. ENG.		SIZE CODE
PROD. ENGR.		NUMBER
SCALE 1.5/1		9 UA 5415247-0-01M
SHT. 1 OF 2		REV
NEXT HIGHER ASSY. B-00-5415247-0-0		1 MS#290072C

DUA 5415247-0-0 M



5415247-CX019

WIRE ADDS: (SIDE 1)

19-1 ADD WIRE FROM E136 PIN 10 TO E136 PIN 11

PART MARKING

19-2 AFTER ABOVE REWORK MARK MODULE PART REV M2

REVISIONS	
CHK	CHANGE NO. REV

DATE	ENG.	DATE	TITLE: MICROPROCESSOR
DATE	BOARD LOCATION:		
DSK1124			SIZE CODE
FIRST USED ON			NUMBER
			5415247-0-0
			REV. M

AUTOMATED BY PRTLST.3P(44)

P A R T S L I S T

LINE	ITEM	TOP DOCUMENT	PART NUMBER	MIN REV	DESCRIPTION	QTY PER VARIATION		REFERENCE DESIGNATOR
						00	01	
1	1	B-DD-5015246-0	5015246-00		CR DRILL AND ETCH CUT BRD.	1	1	
2	2		1000076-00		39 MFD 10V 10% S.TANT	1	1	C106
3	3		1001610-00		.01 MFD 50V 180-20% Z5U CER	169	169	C2-C42,C44-C61,C64-C74,C76-C80, C82-C96,C98-C103,C109-C113, C115-C126,C129,C130,C132,C134, C137-C148,C151,C152,C154-C166, C169-C173,C175,C180,C183,C189, C190,C200-C213,C215
4	4		1004813-00		10 MFD 20V 10% S.TANT	2	2	C194,C195
5	5		1010978-40		.22 MFD 50V 10% CER	1	1	C182
6	6		1012784-00		.047 MFD 50V +80-20% CER	1	1	C191
7	7		1013466-09		1000.0 MMF 50V 10% X7R CER	4	4	C174,C81,C97,C43
8	8		1013466-18		330.0 MMF 50V 5% CER	1	1	C139
9	9		1013466-19		470.0 MMF 50V 5% CER	1	1	C75
10	10		1013466-23		22.0 MMF 50V 5% CER	1	1	C500
11	11		1013466-27		820.0 MMF 50V 5% CR CER	1	1	C114
12	12		1013466-28		1000.0 MMF 50V 5% CER	2	2	C181,C144
13	13		1013466-29		1500.0 MMF 50V 5% CER	1	1	C136
14	14		1016555-00		22 MFD 50V +50-10% AL EL	3	3	C150,C133,C167
15	15		1017472-00		10 MFD 35V +75-10% AL EL	3	3	C131,C149,C168
16	16		1100114-00		PIV= 25 IO=135 MA	1	1	D15,D20
17	17		1105871-00		VZ= 5.15 1X 250 MW	1	1	D25
18	18		1112689-00		LED .8MCD@16MA VF=5V	11	11	D1-D12
19	19		1113003-00		PIV= 55 IO=200 MA - 4NS 1N5282	4	4	D16-D21,D23,D24,D37,D39,D39
20	20		1116824-01		VARACTOR PIV= 30 IO=400.MW	4	4	D26,D27,D35,D46
21	21		1212204-12		PCB HEADER 02PIN(1X02).15600 90D	1	1	J307
22	22		1212204-14		PCB HEADER 18PIN(1X18).15600 90D	1	1	J306
23	23		1212518-03		PCB,HEADER 03POS(1X03).100CC STR	9	9	J303,TP1-TP8
24	24		1214413-00		RLY,REED, 5V COIL,3PST	1	1	E6H
25	25		1215006-02		*** THIS ITEM IS NOT USED ***	-	-	

REVISION HISTORY			BASIC PART NO: 5415247		
ENGR	ECO NUMBER	REV	SECTION A OF A	DRN:	T JORSTAD
			SECTION VARIATION INDEX	CHK'D:	NORM LANDRY
			[A] 00.01	DES.ENG:	JIM COFFEE
			[B]	RESP.ENG.:	JIM COFFEE
			[C]	MFG.ENG.:	BRUCE BARTON
			[D]	ASSEMBLY NUMBER:	E-UA-5415247-0-0
			[E]	TOP DOCUMENT NUMBER:	B-DD-5415247-0-0
			[F]	FILE NAME:	Z1760T.FLS
			[G]	RELEASE DATE:	09-AUG-85
			[H]	EDIT #	11

THIS DRAWING AND THE SPECIFICATIONS CONTAINED HEREIN ARE CONFIDENTIAL AND PROPRIETARY. THEY ARE THE PROPERTY OF DIGITAL EQUIPMENT CORPORATION AND SHALL NOT BE REPRODUCED OR COPIED OR USED IN WHOLE OR IN PART AS THE BASIS FOR THE MANUFACTURE OR SALE OF ITEMS WITHOUT WRITTEN PERMISSION. THIS IS AN UNPUBLISHED WORK PROTECTED UNDER THE FEDERAL COPYRIGHT LAWS.

AUTOMATED BY PRTLST.3P(44)

SHEET A2 OF A4

LINE ITEM	TOP DOCUMENT	PART NUMBER	MIN REV	DESCRIPTION	VARIATION REVISION LEVEL:	QTY PER VARIATION		REFERENCE DESIGNATOR
						00 M3	01 L3	
26	26	1215006-04		*** THIS ITEM IS NOT USED ***		-	-	XE71, XE72
27	27	1215006-06		SKT, IC 24PIN DIP TIN SOLD		2	2	
28	28	1215006-07		*** THIS ITEM IS NOT USED ***		-	-	XE44, XE41, XE42, XE43, XE47
29	29	1215006-08		SKT, IC 40PIN DIP TIN SOLD		-	5	J302
30	30	1216832-00		PCB, HEADER 20POS(2X10).100CC 90D		1	1	J301
31	31	1216832-01		PCB, HEADER 26POS(2X13).100CC 90D		1	1	J303, J305
32	32	1216832-02		PCB, HEADER 40POS(2X20).100CC 90D		2	2	J304
33	33	1216832-03		PCB, HEADER 50POS(2X25).100CC 90D		1	1	E50
34	34	1300205-03		R NETWORK 13-10K 5.0% 14PIN		1	1	R49-R53
35	35	1300202-00		47.0 .25 W 5.0% CF		5	5	R29, R42, R100-R104, R501
36	36	1300229-00		100.0 .25 W 5.0% CF		8	8	R56, R86
37	37	1300249-00		150.0 .50 W 5.0% CF		2	2	R33, R82
38	38	1300250-00		150.0 .25 W 5.0% CF		2	2	R22, R26, R62, R63
39	39	1300271-00		220.0 .25 W 5.0% CF		4	4	R3, R8, R20, R61, R64, R70
40	40	1300295-00		330.0 .25 W 5.0% CF		6	6	R10, R16, R17, R43
41	41	1300316-00		470.0 .25 W 5.0% CF		4	4	R1, R4, R7, R9, R11, R12, R15, R18, R25,
42	42	1300365-00		1.0 K .25 W 5.0% CF		17	17	R87, R80, R65, R81, R84, R85, R36, R37
								CONT
43	43	1300417-00		2.20 K .25 W 5.0% CF		2	2	R120, R122
44	44	1300432-00		3.0 K .25 W 5.0% CF		2	2	R121, R123
45	45	1300444-00		3.90 K .25 W 5.0% CF		1	1	R44
46	46	1300447-00		4.70 K .25 W 5.0% CF		1	1	R32
47	47	1300479-00		10.0 K .25 W 5.0% CF		2	2	R5, R27
48	48	1300496-00		15.0 K .25 W 5.0% CF		3	3	R23, R24, R28
49	49	1301422-00		7.50 K .25 W 5.0% CF		3	3	R6, R19, R21
50	50	1301477-00		82.0 .25 W 5.0% CF		4	4	R34, R35, R80, R83
51	51	1302177-00		47.0 K .25 W 5.0% CF		1	1	R71
52	52	1302411-00		511.0 .25 W 1.0% RN55D-F10		6	-	R105-R108, R78, R79
						-	4	R105-R108
								R500
53	53	1302645-00		1.10 K .25 W 1.0% RN55D-F10		1	1	R47, R48
54	54	1302871-00		1.21 K .25 W 1.0% RN55D-F10		2	2	R66
55	55	1302872-00		681.0 .25 W 1.0% RN55D-F1		1	1	R54, R55, R30, R31
56	56	1302956-00		196.0 .25 W 1.0% RN55D-F10		4	4	R109-R110
57	57	1303045-00		3.16 K .25 W 1.0% RN55D-F10		2	2	R115
58	58	1303226-00		68.10 .25 W 1.0% RN55D-F10		1	1	R114
59	59	1304863-00		316.0 .25 W 1.0% RN55D-F10		1	1	R124
60	60	1305122-00		51.10 .25 W 1.0% RN55D-F10		1	1	R78, R79
61	61	1305126-00		619.0 .25 W 1.0% RN55D-F10		0	2	R68
62	62	1320440-01		47.0 1.0 W 5.0% WW		1	1	R45, R46
63	63	1311653-00		2.15 K .25 W 1.0% RN55D-F10		2	2	R113
64	64	1312480-00		1.54 K .25 W 1.0% RN55D-F10		1	1	R112
65	65	1313476-00		51.10 K .25 W 1.0% RN55D-F10		1	1	R69
66	66	1313584-00		158.0 .25 W 1.0% RN55D-F10		1	1	R111
67	67	1313844-00		221.0 K .25 W 1.0% RN55D-F10		1	1	R59
68	68	1314042-00		102.0 .25 W 1.0% RN55D-F10		1	1	Z1-Z13, Z15-Z36, Z501
69	69	1316254-00		R NETWORK 7-470 2.0% 8PIN		36	36	Q1
70	70	1509524-00		2N 3904 NPN 310MW SI 40 40 M		1	1	Q2
71	71	1509525-00		2N 3906 PNP 310MW SI 40100 Y		1	1	

D I G I T A L	TITLE	SECTION A OF A	SIZE	CODE	DOCUMENT NUMBER	REV
	MICROPROCESSOR		K	PL	5415247-0-DBP	T

AUTOMATED BY PRTLST.3P(44)

PARTS LIST

SHEET A3 OF A4

LINE	ITEM	TOP DOCUMENT	PART NUMBER	MIN REV	DESCRIPTION	QTY PER VARIATION		REFERENCE DESIGNATOR
						M3	L3	
72	72		1519472-01		2N 4209 PNP 300MW 15V@50MA	3	3	Q3,Q4,Q9
73	73		1517998-00		3127 NPN 425MW ARRAY 16PIN	2	2	E127,E149
74	74		1619014-01		DELAY= 20NS,10TAPS	1	1	E167
75	75		1619636-01		.16UH VARIABLE 6-1/2TURNS	2	2	L1,L2
76	76		1812396-01		XTAL 5.0689 MHZ	1	1	Y1
77	77		1910230-00		74121 ONE SHOT	1	1	E98
76	78		1910322-00	DEC	1488L DRIVER,LINE,QUAD,EI	1	1	E86
79	79		1910323-00	DEC	1489L RECEIVER,LINE,QUAD,	1	1	E87
80	80		1910406-00		75451 DRIVER,PERIPH,DUAL,	1	1	E99
81	81		1910535-00		74S05 INVERTER GATE-HEX 1	2	2	E25,E95
82	82		1910544-B0		74S74 BURNED-IN FF-D DUAL	5	5	E27,E65,E77,E82,E120
83	83		1911195-00		7497 MULTIPLIER,6BIT BINA	1	1	E81
84	84		1911399-00		10102 NOR GATE,QUAD 2IN	1	1	E169
85	85		1911401-00		10104 AND GATE,QUAD 2IN	2	2	E125,E131
86	86		1911402-00		10105 OR/NOR GATE,2-3-2	5	5	E129,E145,E164,E165,E170
87	87		1911403-00		10106 NOR GATE,4-3-3	1	1	E124
88	88		1911404-00		10107 XOR/NOR GATE,3-2IN	1	1	E155
89	89		1911406-00		10110 OR GATE,DUAL 3IN	1	1	E137
90	90		1911414-00		10124 TTL TO ECL TRNSLTR	3	3	E133,E134,E147
91	91		1911415-00		10125 ECL TO TTL TRNSLTR	2	2	E113,E119
92	92		1911416-00		10131 FF, DUAL D MSTR/SLAV	15	15	E114,E118,E126,E128,E130,E141, E152-E154,E156,E159,E163,E166, CONT E150,E501 CONT E146,E168
93	93		1911419-00		10164 8 LINE MUX	2	2	E132,E133
94	94		1911420-00		10174 DUAL 4 TO 1 MUX	2	2	E117,E123,E139,E144
95	95		1911501-00		10141 SHIFT REG,4BIT,UNIVS	4	4	E157
96	96		1911507-00		10176 FF-D HEX	1	1	E110
97	97		1912388-00		74S02 NOR GATE-QUAD 2IN,PO	1	1	E96,E104,E109,E161
98	98		1912389-00		74S08 AND GATE-QUAD 2IN,PO	4	4	E162
99	99		1912696-00		LS194A SHIFT REG.,4BIT BI-D	1	1	Q7
100	100		1912792-00	DEC	7915 VOLT REG,FIX -15V	1	1	E14,E17,E33,E63,E76,E83,E101, CONT E103,E112,E135
101	101		1912799-B0		LS00 BURNED-IN NAND GATE-	10	10	E53,E57
102	102		1912803-00		LS04 INVERTER GATE,HEX	2	2	E8,E11,E40,E69
103	103		1912805-00		LS08 AND GATE-QUAD 2IN,PO	4	4	E78,E84
104	104		1912808-00		LS11 AND GATE-TRIPLE 3IN	2	2	E107,E108
105	105		1912815-B0		LS30 BURNED-IN NAND-GATE-	2	2	E35,E37,E85,E102,E105,E106
106	106		1912816-00		LS32 OR GATE-QUAD 2IN,POS	6	6	E12,E13,E27,E62,E80,E92,E100
107	107		1912824-00		LS74 FF-D DUAL,EDGE TRIGG	7	7	E121
108	108		1912837-00		LS123 ONE SHOT-DUAL,RETRIG	1	1	E28,E31,E54,E67,E75,E89-E91
109	109		1912842-00		LS138 DECODER-THREE INPUT,	8	8	E7,E36
110	110		1912847-00		LS157 MUX 1 OF 2(QUAD)	2	2	E3-E5,E20-E23
111	111		1912849-00		LS161 COUNTER,SYNCHR,4BIT	7	7	E9,E64
112	112		1912853-00		LS175 FF-D QUAD	2	2	E66
113	113		1912864-00		LS279 LATCH,QUAD-S-R	1	1	E136,E142
114	114		1913220-00		10216 RECEIVER, TRIPLE LIN	2	2	E1,E15,E16,E19,E48,E51,E59,E97, CONT E111,E30,E79,E171
115	115		1913414-B0		LS14 BURNED-IN INVERTER G	12	12	

D	I	G	I	T	A	L	TITLE	SECTION A OF A	SIZE	CODE	DOCUMENT NUMBER	REV
							MICROPROCESSOR		K	PL	5415247-0-DBP	T

AUTOMATED BY PRTLST.3P(44)

LINE ITEM TOP DOCUMENT

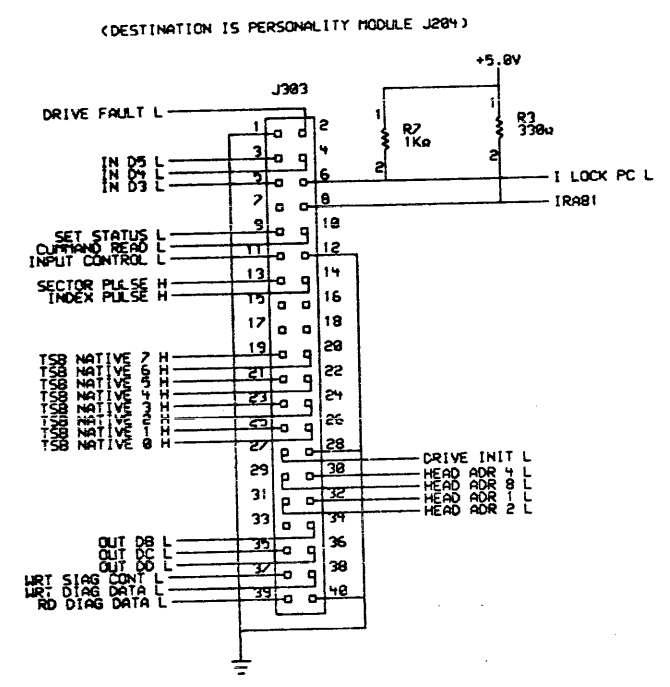
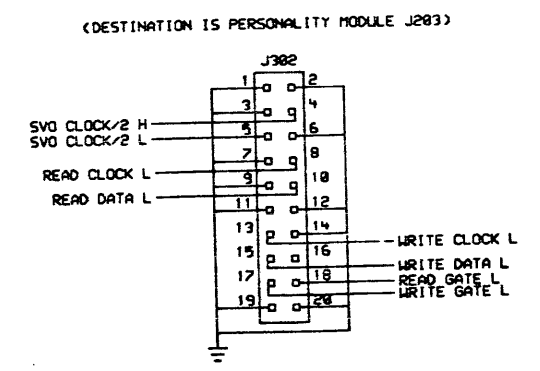
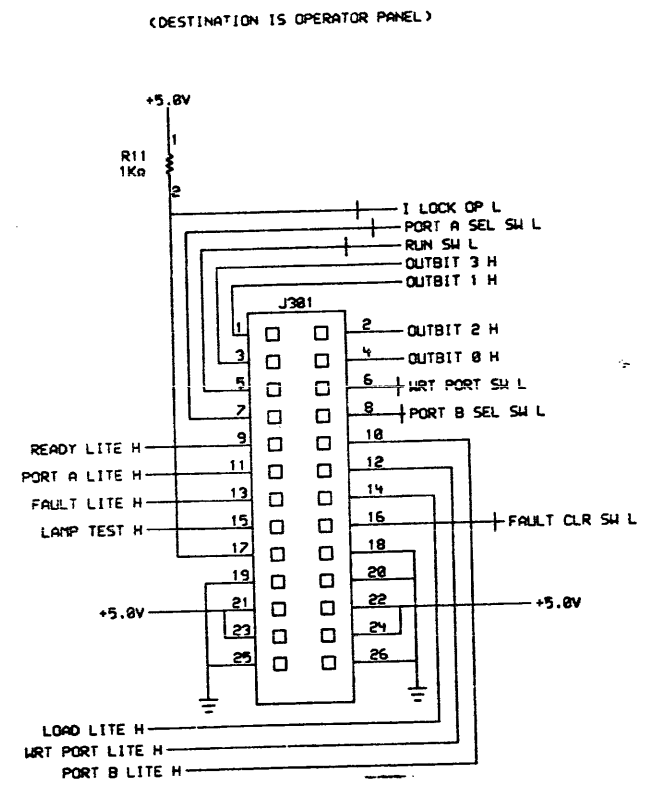
PARTS LIST

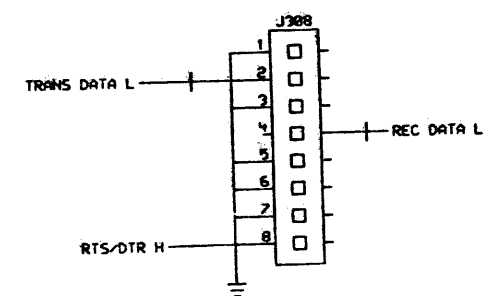
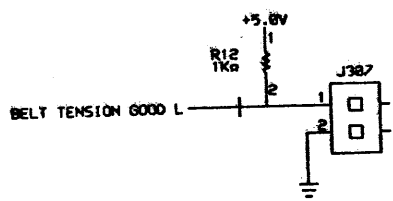
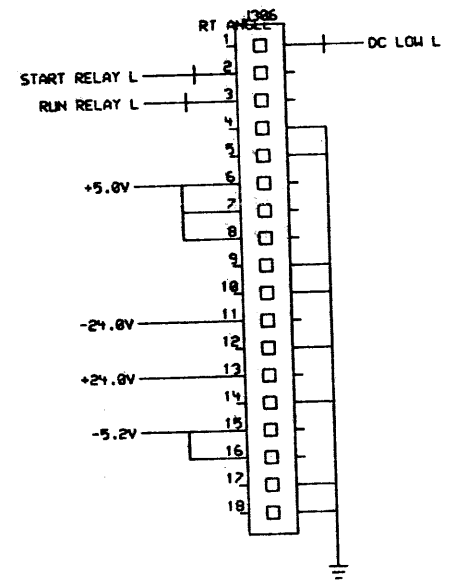
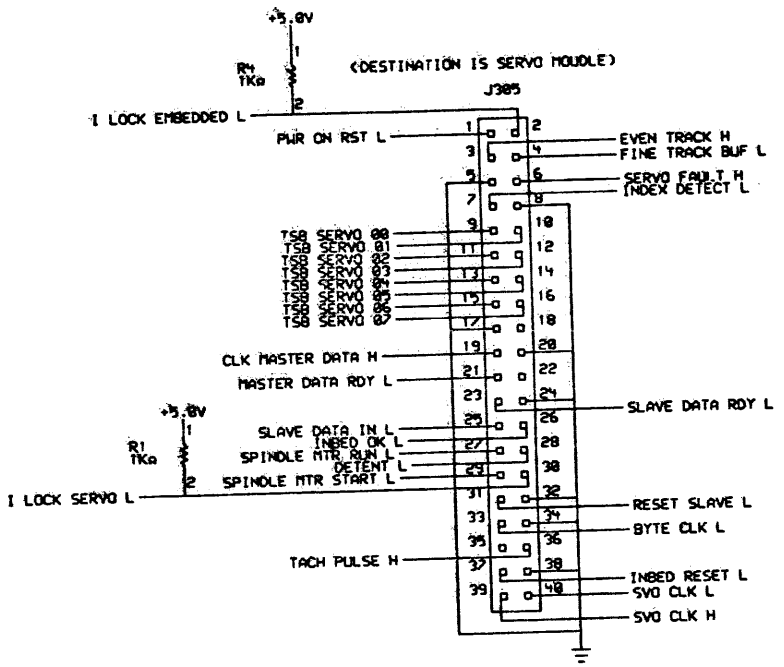
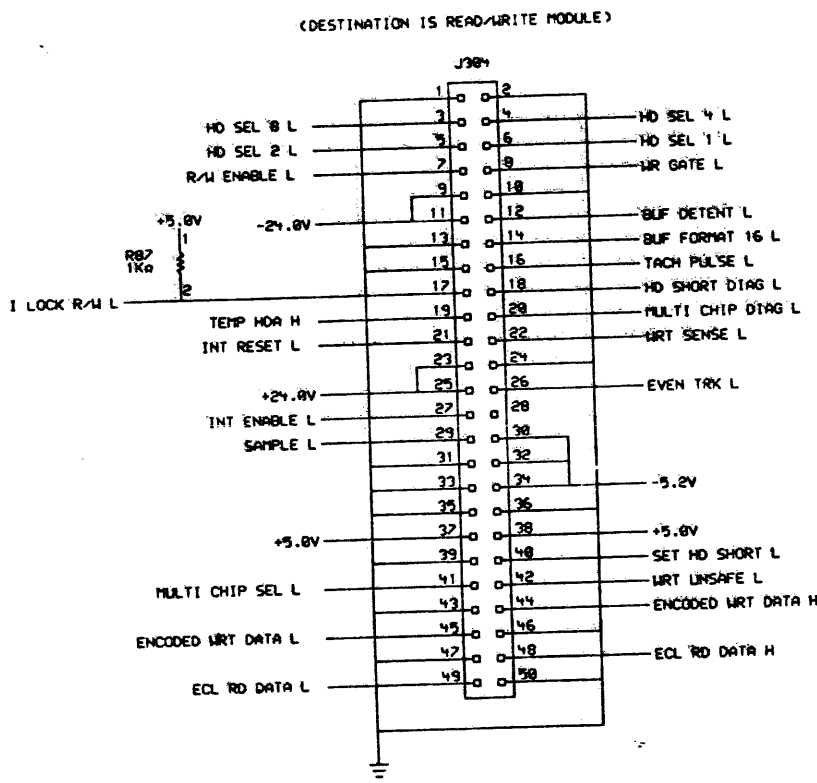
LINE ITEM	TOP DOCUMENT	PART NUMBER	MIN REV	DESCRIPTION	QTY PER VARIATION		REFERENCE DESIGNATOR
					00 M3	01 L3	
116	116	1914451-00		LS393 COUNTER, BINARY, 4BIT	2	2	E10, E26
117	117	1914473-02		7815A VOLT REG, FIX +15V	1	1	D6
118	118	1915193-00		LS244 DRIVER, LINE, OCTAL, TR	2	2	E49, E55
119	119	1915218-00		LS245 TRANSCEIVER, BUS, OCTA	2	2	E32, E34
120	120	1915219-00		LS373 FF-D OCTAL-TRANSPARE	4	4	E2, E56, E93, E94
121	121	1916551-00		7905.2VOLT REG, FIX -5.2V	1	1	D8
122	122	1916574-00		10114 RECEIVER, LINE, TRIPLE	2	2	E115, E158
123	123	1918535-00		10135 FF, DUAL MSTR/SLAVE	5	5	E116, E110, E143, E151, E160
124	124	2113107-01	P	3251A PUSART COMM. INTERFA	1	1	E70
125	125	2114963-00		UP, 8-BIT NMOS	1	1	E44
126	126	2114964-00		RAM 2048 MOSJ-STATIC	2	2	E45, E46
127	127	23040E3-00	A	E3-03	1	1	E71
128	128	23041E3-00	A	E3-03	1	1	E72
129	129	23082B9-00	A	B9-01, B9-02	ROM	1	E41
130	130	23083B9-00	A	B9-01, B9-02	ROM	1	E42
131	131	23088B9-00		B9-01, B9-02	ROM	1	E43
132	132	23087B9-00		B9-01, B9-02	ROM	1	E47
133	133	23330A1-00		A1-08	1	1	E18
134	134	23331A1-00		A1-08	1	1	E38
135	135	23332A1-00		A1-08	1	1	E39
136	136	23333A1-00		A1-08	1	1	E58
137	137	23334A1-00		A1-08	1	1	E74
138	138	23335A1-00		A1-08	1	1	E73
139	139	23336A1-00		A1-08	1	1	E88
140	140	23337A1-00		A1-08	1	1	E122
141	141	23624A2-00		A2-05	1	1	E6
142	142	9006010-01		SCRFW, MACH PAN PHIL 4-	3	3	
143	143	9006557-00		NUT, HEX EXT TOOTH LCKWSHR 4-40	3	3	
144	144	9008172-00		WASHER, FLAT SST	3	3	
145	145	9009185-00		JUMPER, WIRE, INSULATED, BLACK B	9	9	W1-W6, W7-W9
146	146	9009217-00		*** THIS ITEM IS NOT USED ***	-	-	
147	147	9105740-55		WIRE(WRAP) 30AWG KYNAR UL14	A/R	-	
148	148	9107267-11		*** THIS ITEM IS NOT USED ***	-	-	
149	149	1922105-01	A	*** THIS ITEM IS NOT USED ***	-	-	
150	150	5417489-01		MICROPROCESSOR DAUGHTER BOARD	5	5	
151	151	9009966-00		GROMMET, SNAP-IN POLYCARBONAT	5	5	
152	152	9009963-00		PLUNGER, 1/4 DIA	5	5	

153 NOTE: 1. USE B9-01 OR B9-02, WHICHEVER IS EASIER TO OBTAIN

D I G I T A L	TITLE MICROPROCESSOR	SECTION A OF A	SIZE K	CODE PL	DOCUMENT NUMBER 5415247-0-DRP	REV T
---------------	-------------------------	----------------	-----------	------------	----------------------------------	----------

NOTE: UNLESS OTHERWISE SPECIFIED:
 ALL RESISTORS ARE 1/4W, 5%.
 ALL CAPACITORS ARE 50V, +80%,-20%.



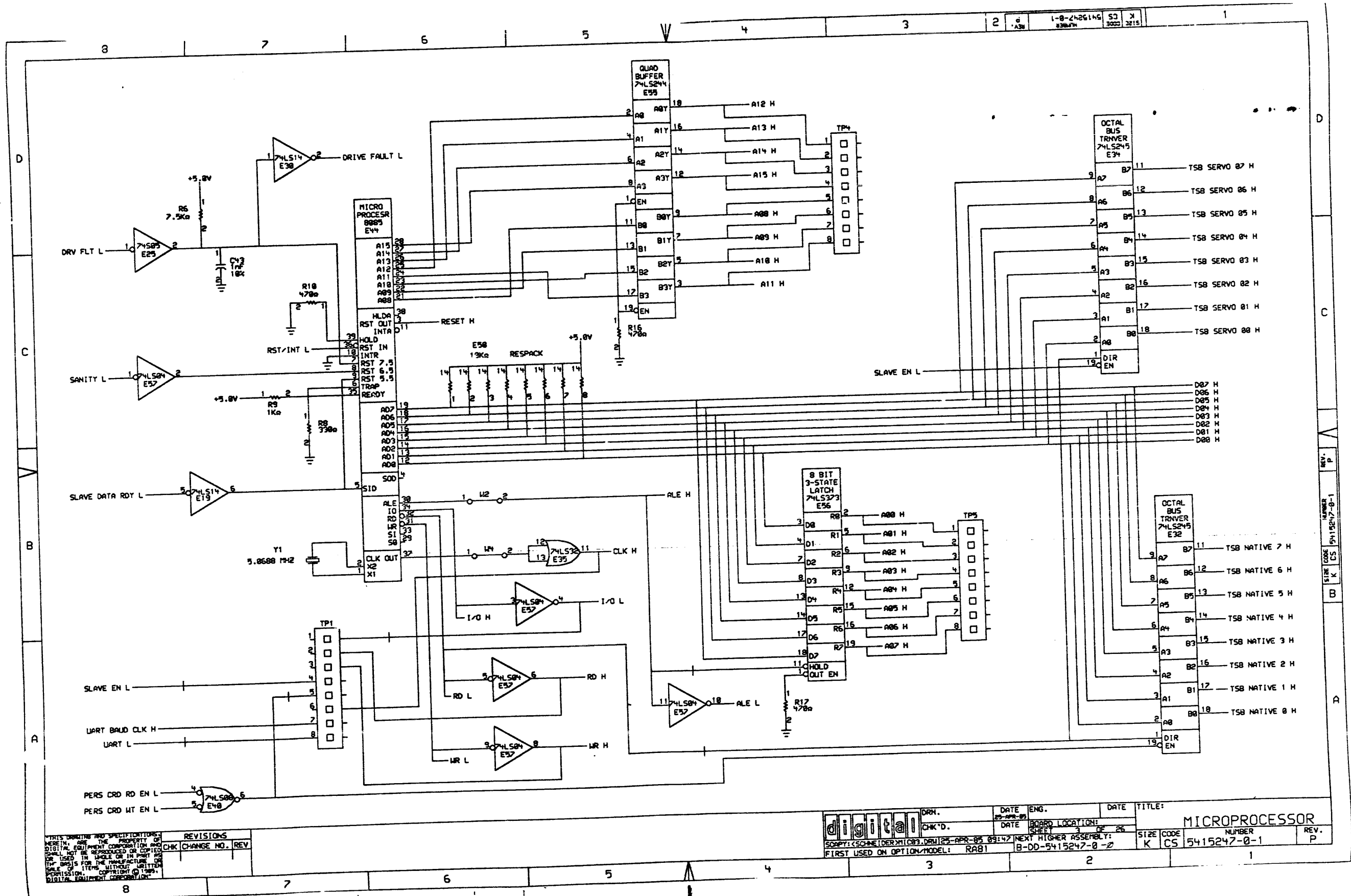


THIS DRAWING AND SPECIFICATIONS ARE THE PROPERTY OF DIGITAL EQUIPMENT CORPORATION AND SHALL NOT BE REPRODUCED OR COPIED IN ANY MANNER OR USED IN WHOLE OR IN PART AS THE BASIS FOR THE MANUFACTURE OR SALE OF ITEMS WITHOUT WRITTEN PERMISSION. COPYRIGHT © 1981, DIGITAL EQUIPMENT CORPORATION.

REV.	NO.	DATE	BY	CHK	CHANGE NO.	REV.

DRN. DATE ENG. DATE TITLE: MICROPROCESSOR
 DATE BOARD LOCATION: SHEET 2 OF 26
 SIZE CODE NUMBER REV. K CS 5415247-0-1 P
 FIRST USED ON OPTION/USE RAB1 B-DD-5415247-0-0

REV. P
 NUMBER 5415247-0-1
 SIZE CODE CS
 K

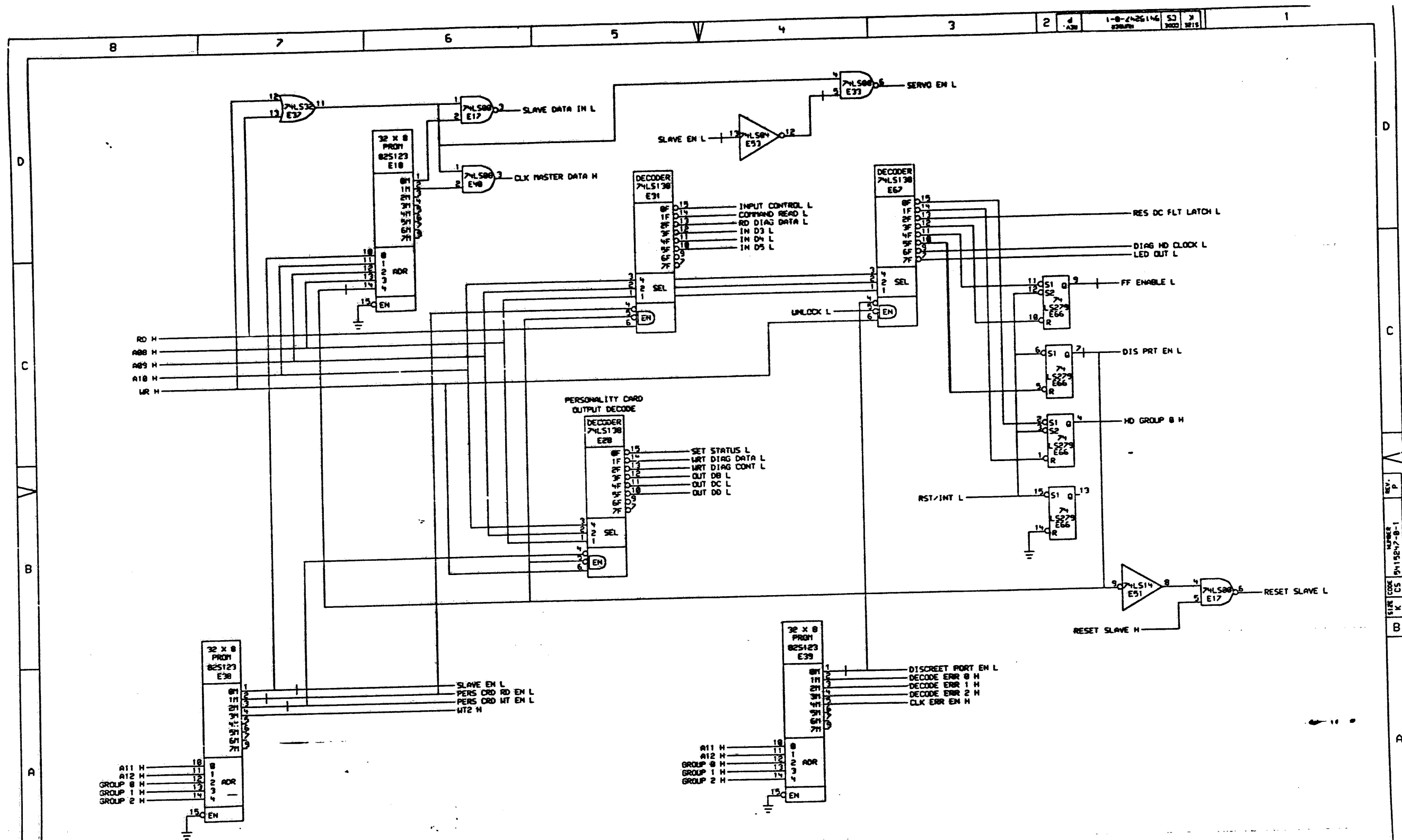


THIS DRAWING AND SPECIFICATIONS HEREIN ARE THE PROPERTY OF DIGITAL EQUIPMENT CORPORATION AND SHALL NOT BE REPRODUCED OR COPIED OR USED IN WHOLE OR IN PART AS THE BASIS FOR THE MANUFACTURE OR SALE OF ITEMS WITHOUT WRITTEN PERMISSION. COPYRIGHT © 1989, DIGITAL EQUIPMENT CORPORATION.

REV.	CHG.	CHANGE NO.	REV.

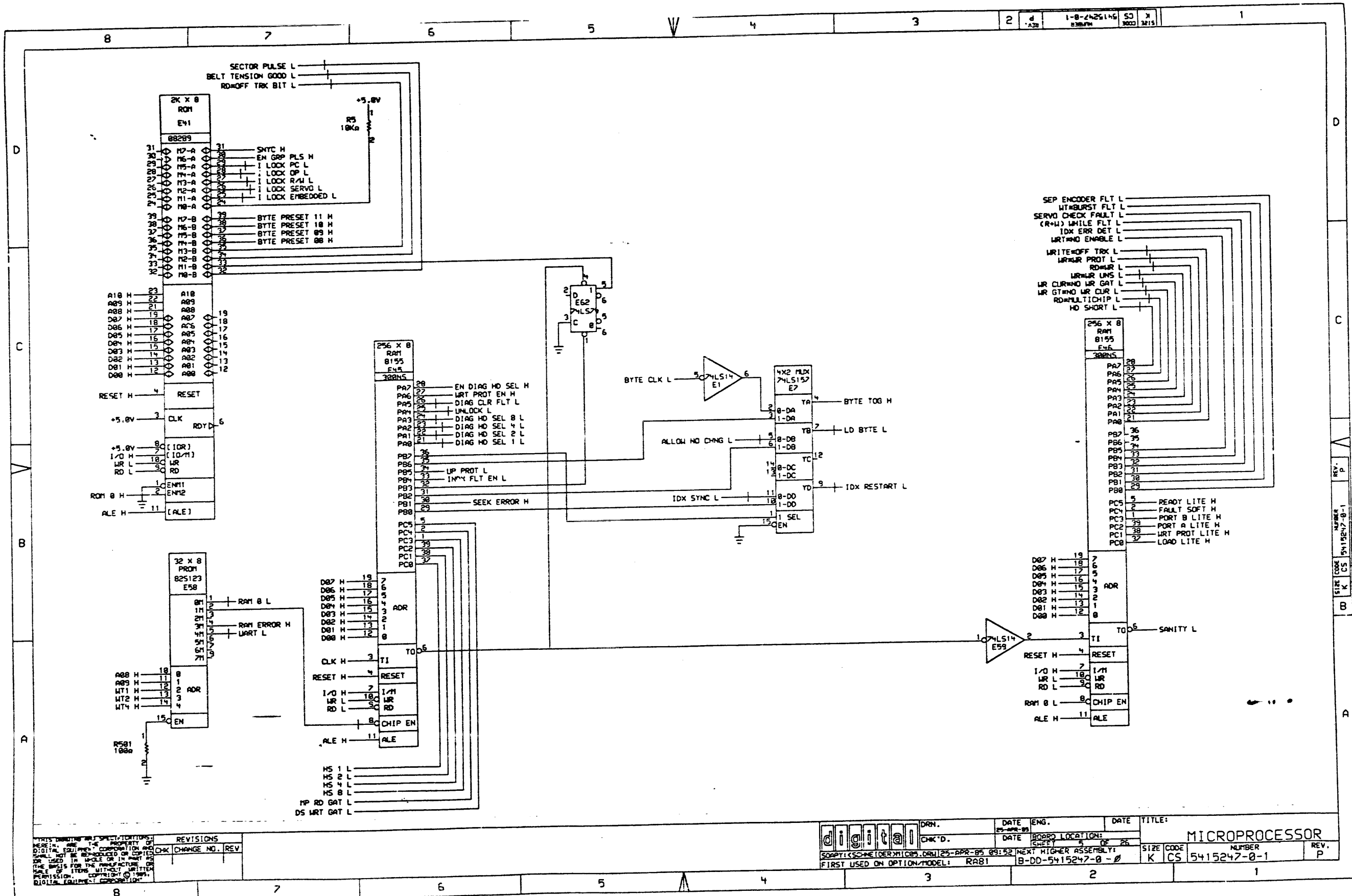
	DRN.	DATE	ENG.	DATE	TITLE:
	CHK'D.	DATE	BOARD LOCATION:	SHEET	OF 26
SCOPY: (SOME) DRN1103, DRN125, APR-89, 09:47 NEXT HIGHER ASSEMBLY:		SIZE	CODE	NUMBER	REV.
FIRST USED ON OPTION/MODEL: RAB1		K	CS	5415247-0-1	P

REV. P
15415247-0-1



<small>THIS DRAWING AND SPECIFICATIONS ARE THE PROPERTY OF DIGITAL EQUIPMENT CORPORATION AND SHALL NOT BE REPRODUCED OR COPIED OR USED IN WHOLE OR IN PART OR FOR THE MANUFACTURE OR SALE OF ITEMS WITHOUT WRITTEN PERMISSION. COPYRIGHT © 1985, DIGITAL EQUIPMENT CORPORATION.</small>		REVISIONS CHK CHANGE NO. REV	DATE 25-APR-85	ENG. B9148	DATE 25-APR-85	TITLE MICROPROCESSOR
<small>THIS DRAWING AND SPECIFICATIONS ARE THE PROPERTY OF DIGITAL EQUIPMENT CORPORATION AND SHALL NOT BE REPRODUCED OR COPIED OR USED IN WHOLE OR IN PART OR FOR THE MANUFACTURE OR SALE OF ITEMS WITHOUT WRITTEN PERMISSION. COPYRIGHT © 1985, DIGITAL EQUIPMENT CORPORATION.</small>		1 2 3 4	1 2 3 4	1 2 3 4	1 2 3 4	1 2 3 4
<small>THIS DRAWING AND SPECIFICATIONS ARE THE PROPERTY OF DIGITAL EQUIPMENT CORPORATION AND SHALL NOT BE REPRODUCED OR COPIED OR USED IN WHOLE OR IN PART OR FOR THE MANUFACTURE OR SALE OF ITEMS WITHOUT WRITTEN PERMISSION. COPYRIGHT © 1985, DIGITAL EQUIPMENT CORPORATION.</small>		1 2 3 4	1 2 3 4	1 2 3 4	1 2 3 4	1 2 3 4

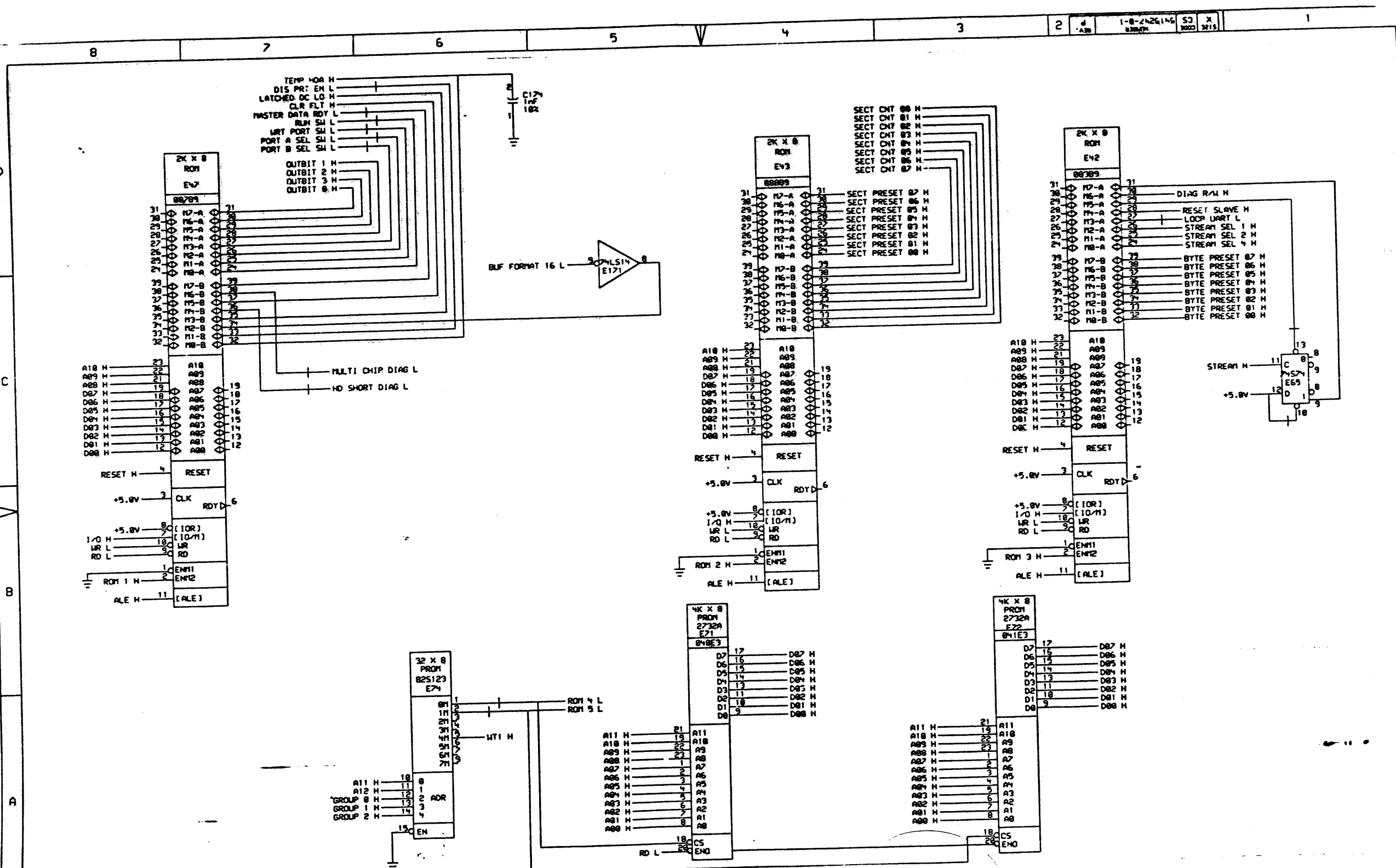
DIGITAL
 COPY: (CONSIDER) 100-APR-85 B9148 NEXT HIGHER ASSEMBLY:
 FIRST USED ON OPTION NO.: RAB1 B-DD-5415247-0-2
 SIZE CODE NUMBER REV.
 K CS 5415247-0-1 P



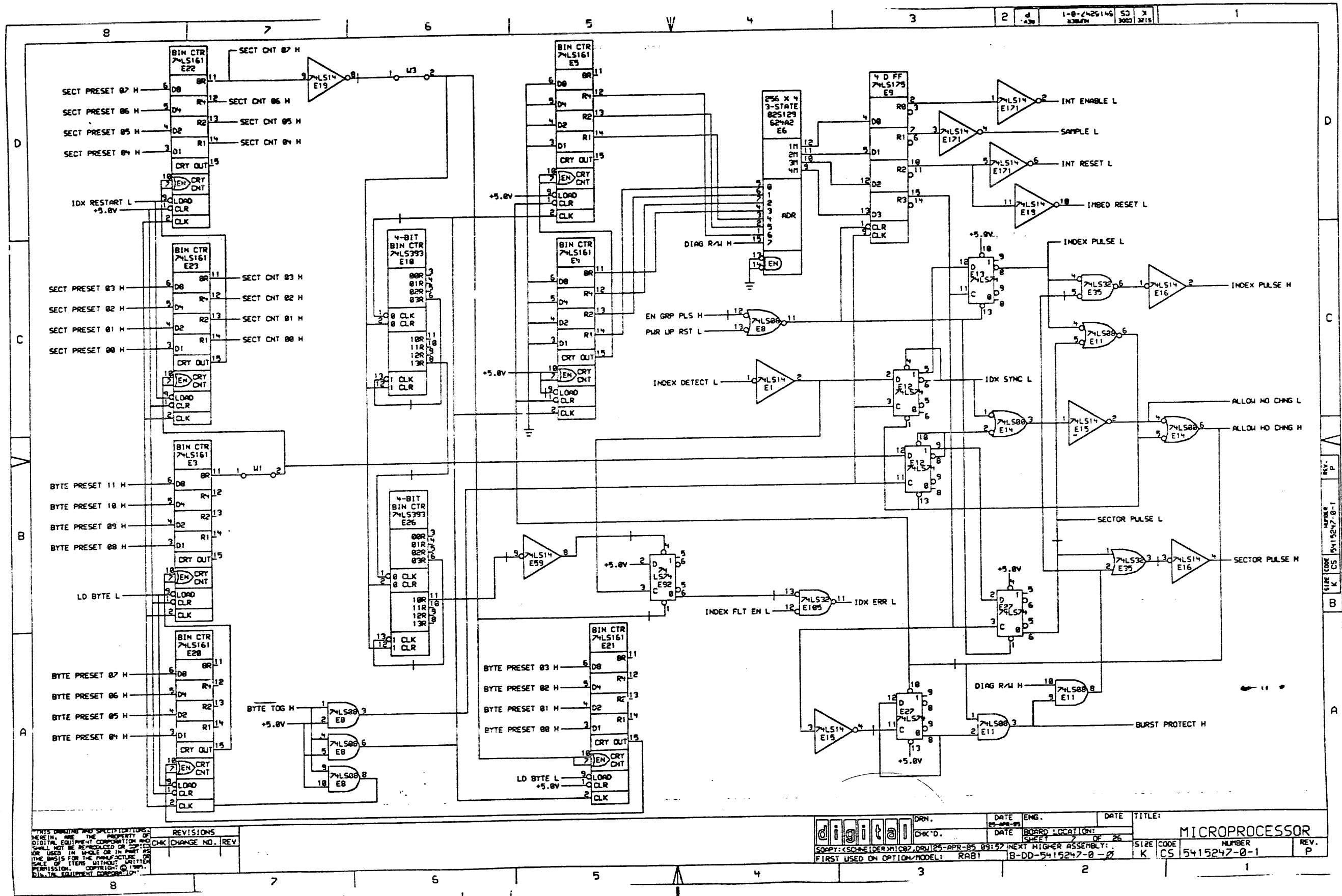
THIS DRAWING AND SPECIFICATIONS ARE THE PROPERTY OF DIGITAL EQUIPMENT CORPORATION AND SHALL NOT BE REPRODUCED OR COPIED OR USED IN WHOLE OR IN PART AS THE BASIS FOR THE MANUFACTURE OR SALE OF ITEMS WITHOUT WRITTEN PERMISSION. COPYRIGHT © 1984, DIGITAL EQUIPMENT CORPORATION.

REV.	NO.	DATE	DESCRIPTION
1	1	05-APR-85	09:52 NEXT HIGHER ASSEMBLY

DRN.	DATE	ENG.	DATE	TITLE:
CHK'D.	DATE	DRN.	DATE	MICROPROCESSOR
BOARD LOCATION: SHEET 5 OF 26 SIZE CODE: K CS NUMBER: 5415247-0-1 REV.: P				FIRST USED ON OPTION/MODEL: RAB1 8-DD-5415247-0-0



THIS DRAWING AND SPECIFICATIONS ARE THE PROPERTY OF DIGITAL EQUIPMENT CORPORATION AND SHALL NOT BE REPRODUCED OR COPIED IN WHOLE OR IN PART WITHOUT THE PERMISSION OF DIGITAL EQUIPMENT CORPORATION.		REVISIONS CHK CHANGE NO. REV	DRW. DATE ENG. DATE TITLE: MICROPROCESSOR
BOARD LOCATION: SHEET 6 OF 26		SIZE CODE NUMBER REV. K CS 5415247-0-1 P	NEXT HIGHER ASSEMBLY: B-DD-5415247-0-Z
FIRST USED ON OPTION/CODE: RAB1			



REV.	DATE	ENG.	DATE	TITLE:
1	07-08-85	CS	07-08-85	MICROPROCESSOR

CHK	CHANGE NO.	REV

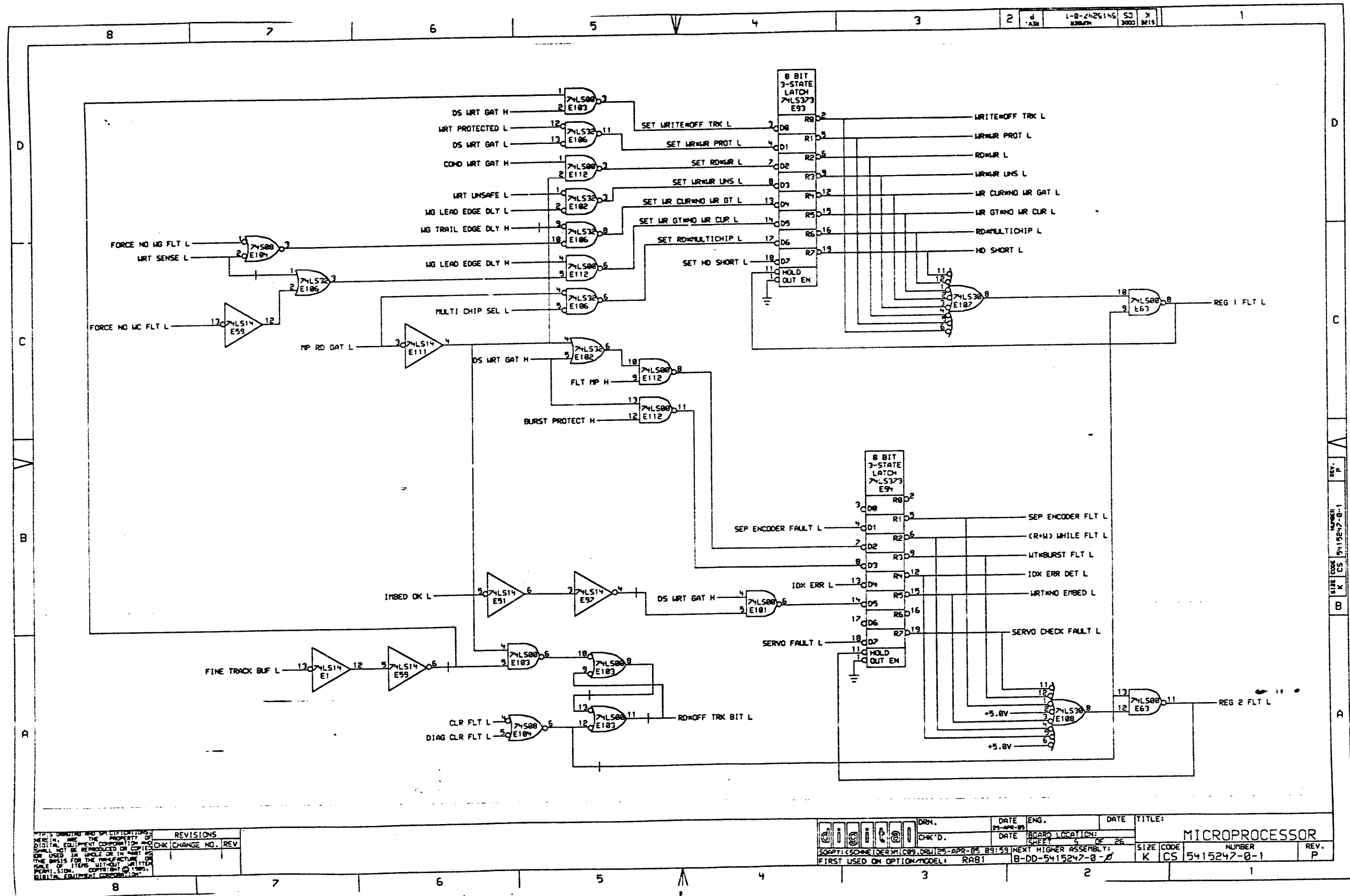
DATE	ENG.	DATE	TITLE:
07-08-85	CS	07-08-85	MICROPROCESSOR

DATE	ENG.	DATE	TITLE:
07-08-85	CS	07-08-85	MICROPROCESSOR

REV. P
 5415247-0-1
 CS
 K

THIS DRAWING AND SPECIFICATIONS HEREIN ARE THE PROPERTY OF DIGITAL EQUIPMENT CORPORATION AND SHALL NOT BE REPRODUCED OR USED IN WHOLE OR IN PART AS THE BASIS FOR THE MANUFACTURE OR SALE OF ITEMS WITHOUT WRITTEN PERMISSION. COPYRIGHT © 1985, DIGITAL EQUIPMENT CORPORATION.

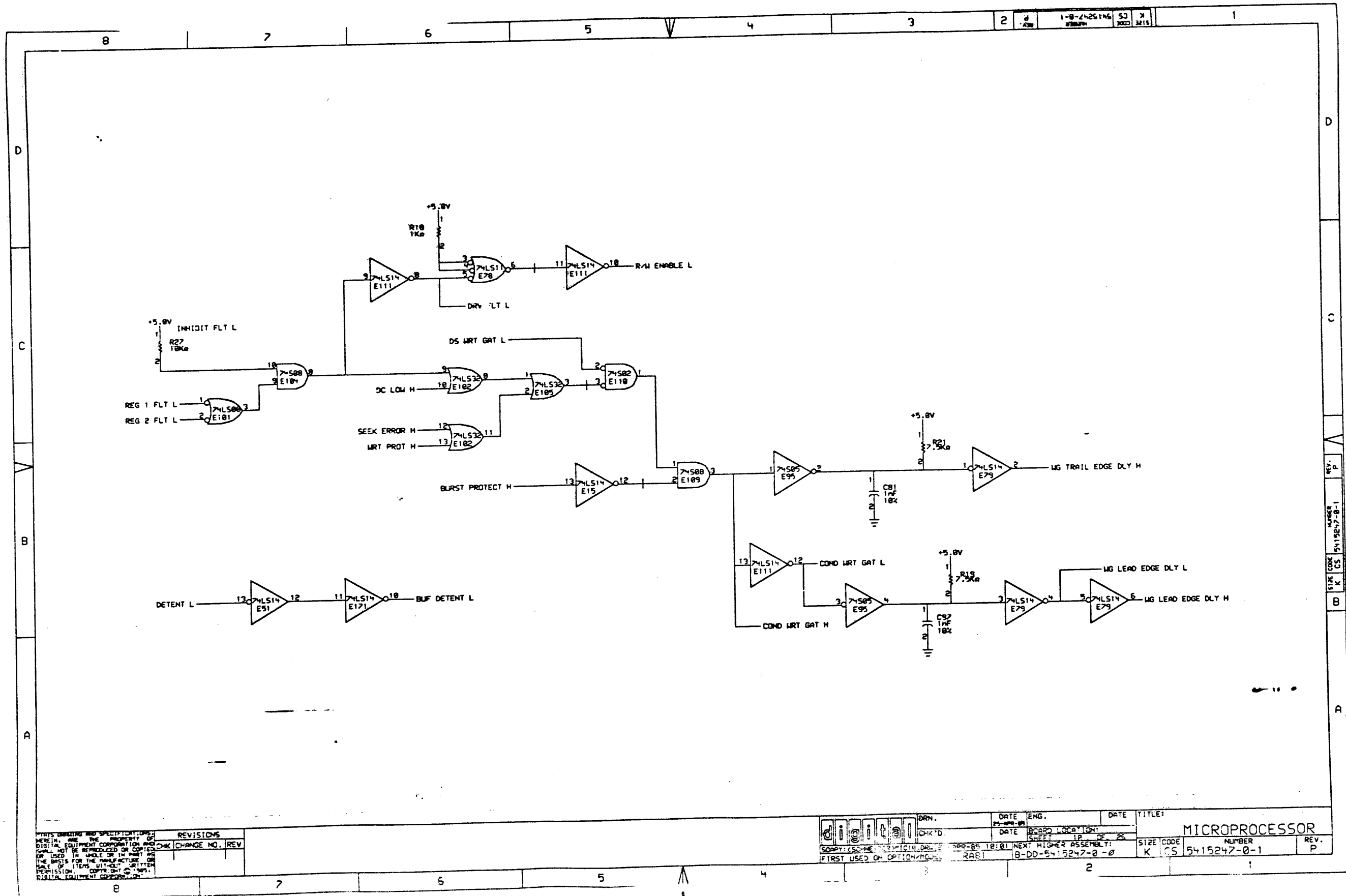
digital DERN. DATE 07-08-85 ENG. DATE 07-08-85 TITLE: MICROPROCESSOR
 CHK'D. DATE 07-08-85 BOARD LOCATION: SHEET 2 OF 26
 COPY: <SCHEM (DER) MLCB, DRU125-APR-85 89:57 NEXT HIGHER ASSEMBLY: >
 FIRST USED ON OPTION/MODEL: RAB1 18-DO-5415247-0-0 SIZE CODE NUMBER REV.
 K CS 5415247-0-1 P



THIS DRAWING AND SPECIFICATIONS HEREIN ARE THE PROPERTY OF DIGITAL EQUIPMENT CORPORATION AND SHALL NOT BE REPRODUCED OR COPIED OR USED IN WHOLE OR IN PART AS THE BASIS FOR THE MANUFACTURE OF ANY OF ITEMS WITHOUT WRITTEN PERMISSION. COPYRIGHT © 1984 DIGITAL EQUIPMENT CORPORATION.

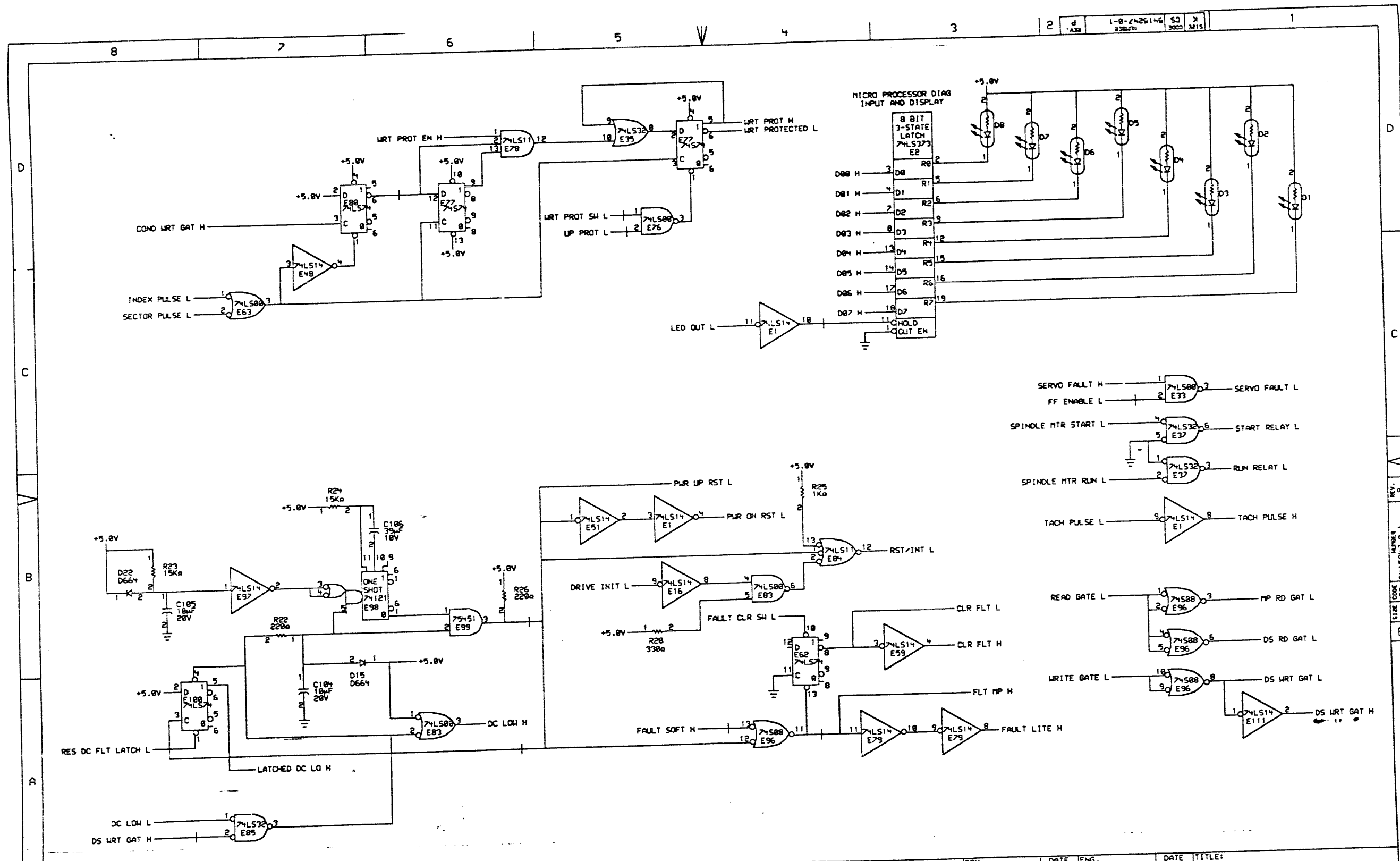
REV.	CHG	CHANGE NO.	REV.

DRN.	DATE	ENG.	DATE	TITLE:
CHK'D.	23-APR-89			MICROPROCESSOR
SOFT: C:\SOURCE\DRM\IC9.DRAW	25-APR-89	89:59	NEXT HIGHER ASSEMBLY:	SIZE CODE
FIRST USED ON OPTION MODEL: RAB1	B-DD-5415247-0-1			NUMBER
				REV.
				P



REVISIONS		
CHK	CHANGE NO.	REV

digital ORN. CHK'D DATE: APR 81 CORR: CS-NE FIRST USED ON OPTION BOARD: RAB1	DATE: APR 81 BOARD LOCATION: SHEET 1P OF 26	DATE: APR 81 NEXT HIGHER ASSEMBLY: B-DD-5415247-0-0	TITLE: MICROPROCESSOR
	SIZE CODE: KCS	NUMBER: 5415247-0-1	REV.: P

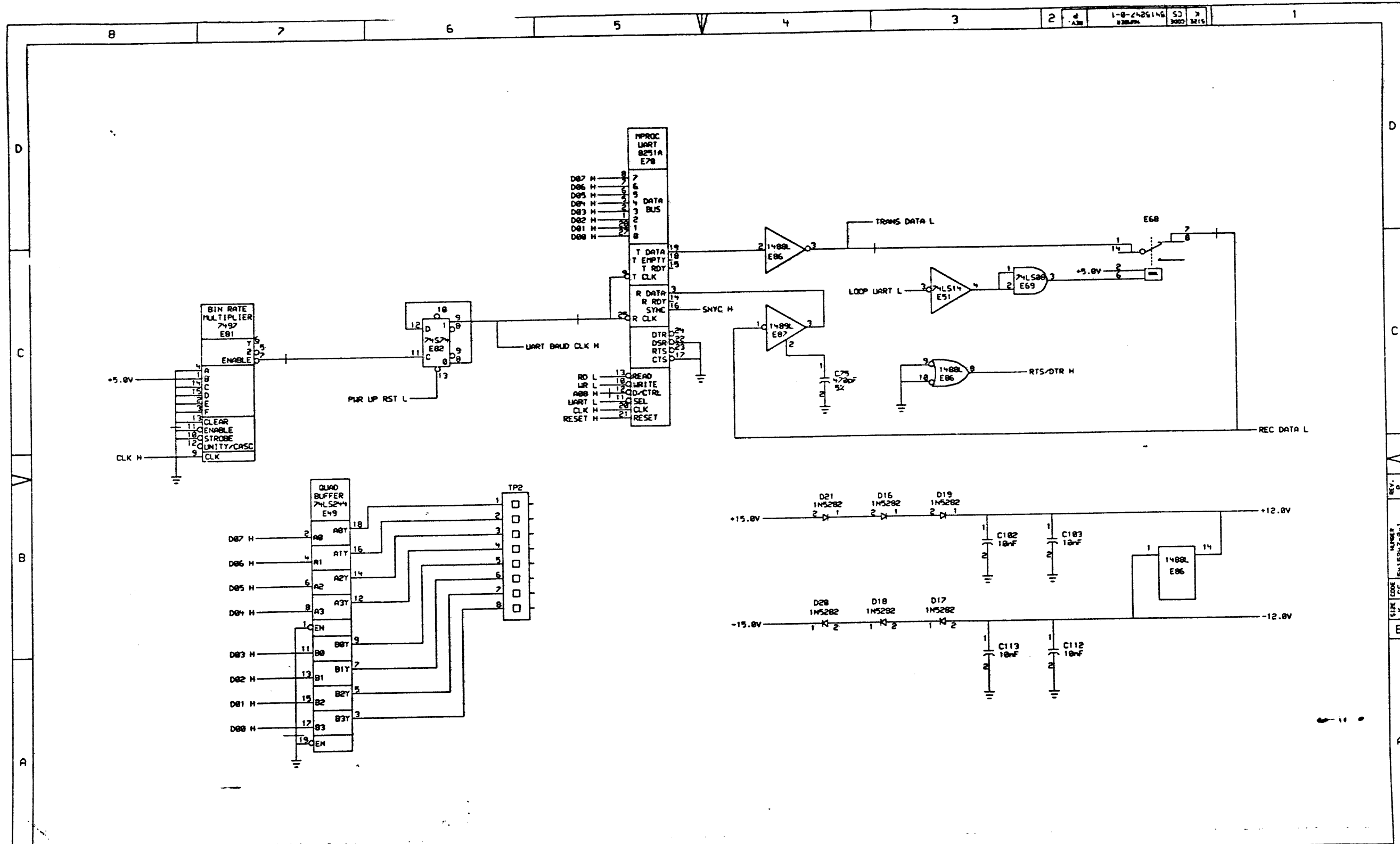


REV. NO.	DATE	DESCRIPTION
1		

REV. NO.	DATE	DESCRIPTION
1		

DRN.	DATE	ENG.	DATE	TITLE:
CHK'D.	DATE	SCARD LOCATION:	SHEET	1
FIRST USED ON OPTION/MODEL:				RAB1
NEXT HIGHER ASSEMBLY:				B-DD-5415247-0-0
SIZE	CODE	NUMBER	REV.	
K	CS	5415247-0-1	P	

REV. P
 5415247-0-1
 K CS 5415247-0-1

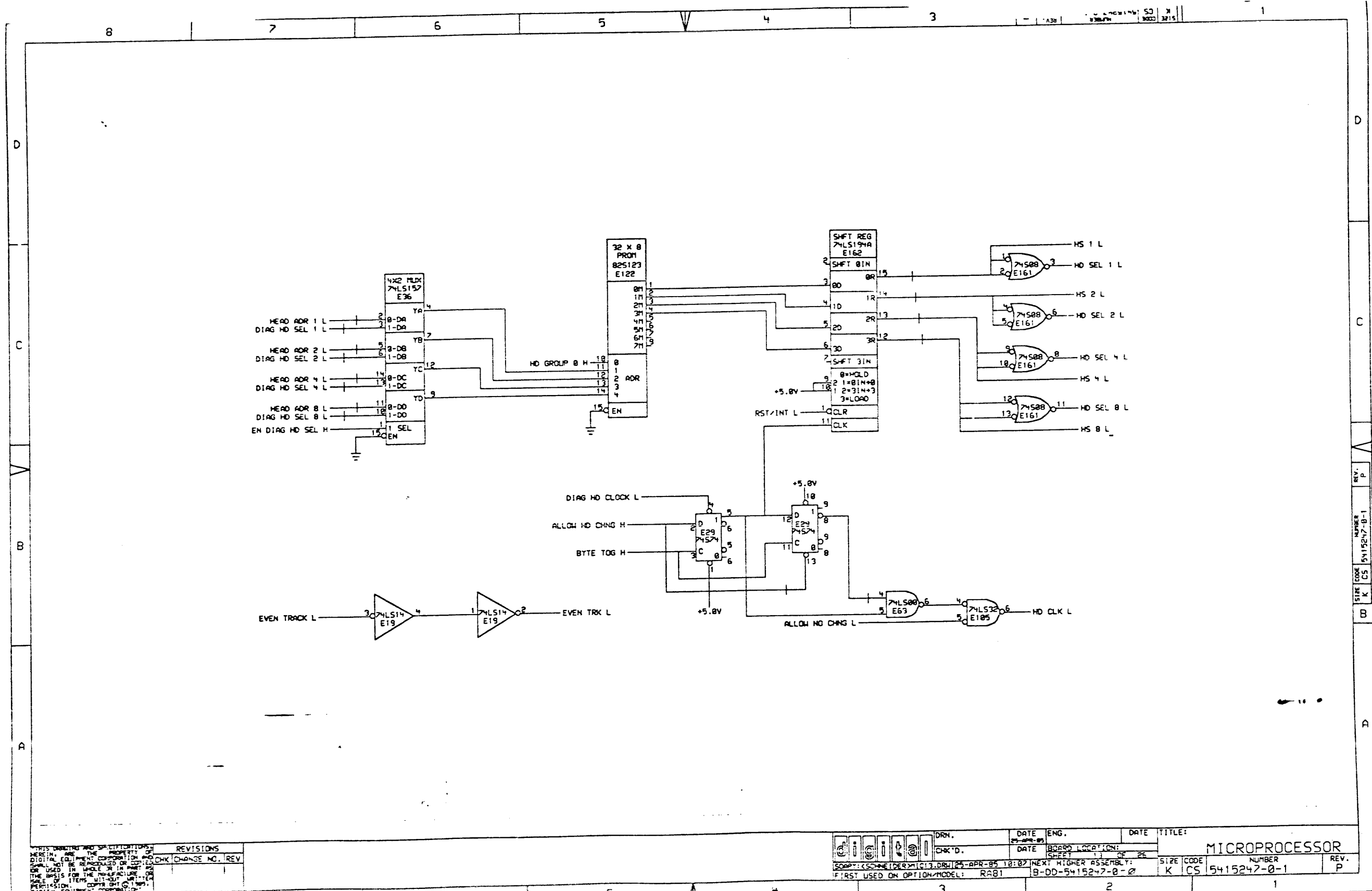


THIS DRAWING AND SPECIFICATIONS HEREIN ARE THE PROPERTY OF DIGITAL EQUIPMENT CORPORATION AND SHALL NOT BE REPRODUCED OR COPIED IN ANY MANNER OR USED IN WHOLE OR IN PART AS THE BASIS FOR THE MANUFACTURE OR SALE OF ITEMS WITHOUT WRITTEN PERMISSION. COPYRIGHT © 1984, DIGITAL EQUIPMENT CORPORATION.

REVISIONS		
CHK	CHANGE NO.	REV

DATE	ENG.	DATE	TITLE:
05-APR-85			MICROPROCESSOR
DATE	DESIGN LOCATION:	SHEET	12 OF 26
08-APR-85			
SIZE	CODE	NUMBER	REV.
K	CS	5415247-0-1	P

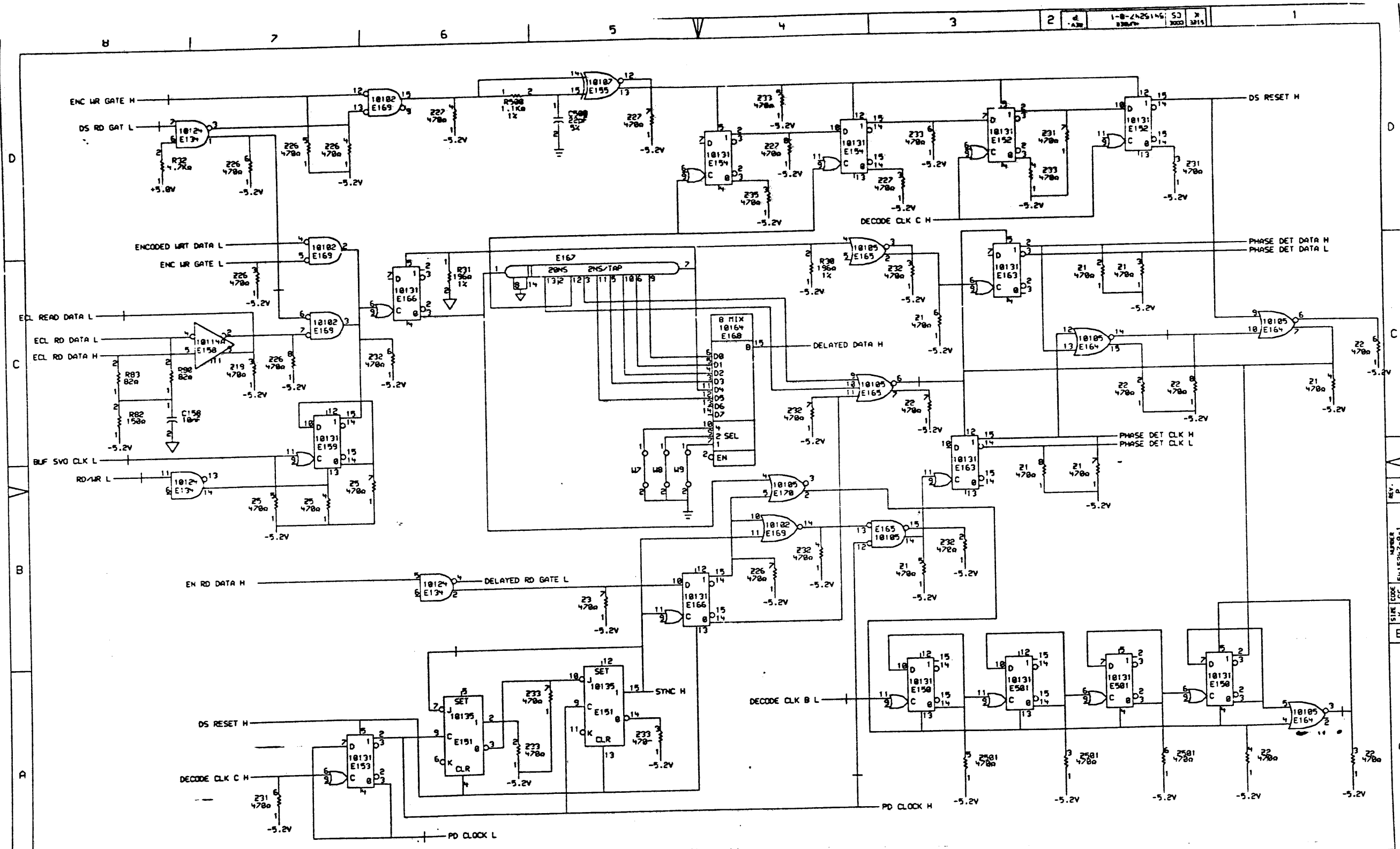
REV. P
 SIZE CODE NUMBER
 K CS 5415247-0-1
 B



NOTES: DRAWING AND SPECIFICATIONS HEREIN ARE THE PROPERTY OF DIGITAL EQUIPMENT CORPORATION AND SHALL NOT BE REPRODUCED OR COPIED OR USED IN WHOLE OR IN PART AS THE BASIS FOR THE MANUFACTURE OR SALE OF ITEMS WITHOUT WRITTEN PERMISSION. COPY RIGHT © 1981, DIGITAL EQUIPMENT CORPORATION.

REVISIONS	
CHK	CHANGE NO. REV

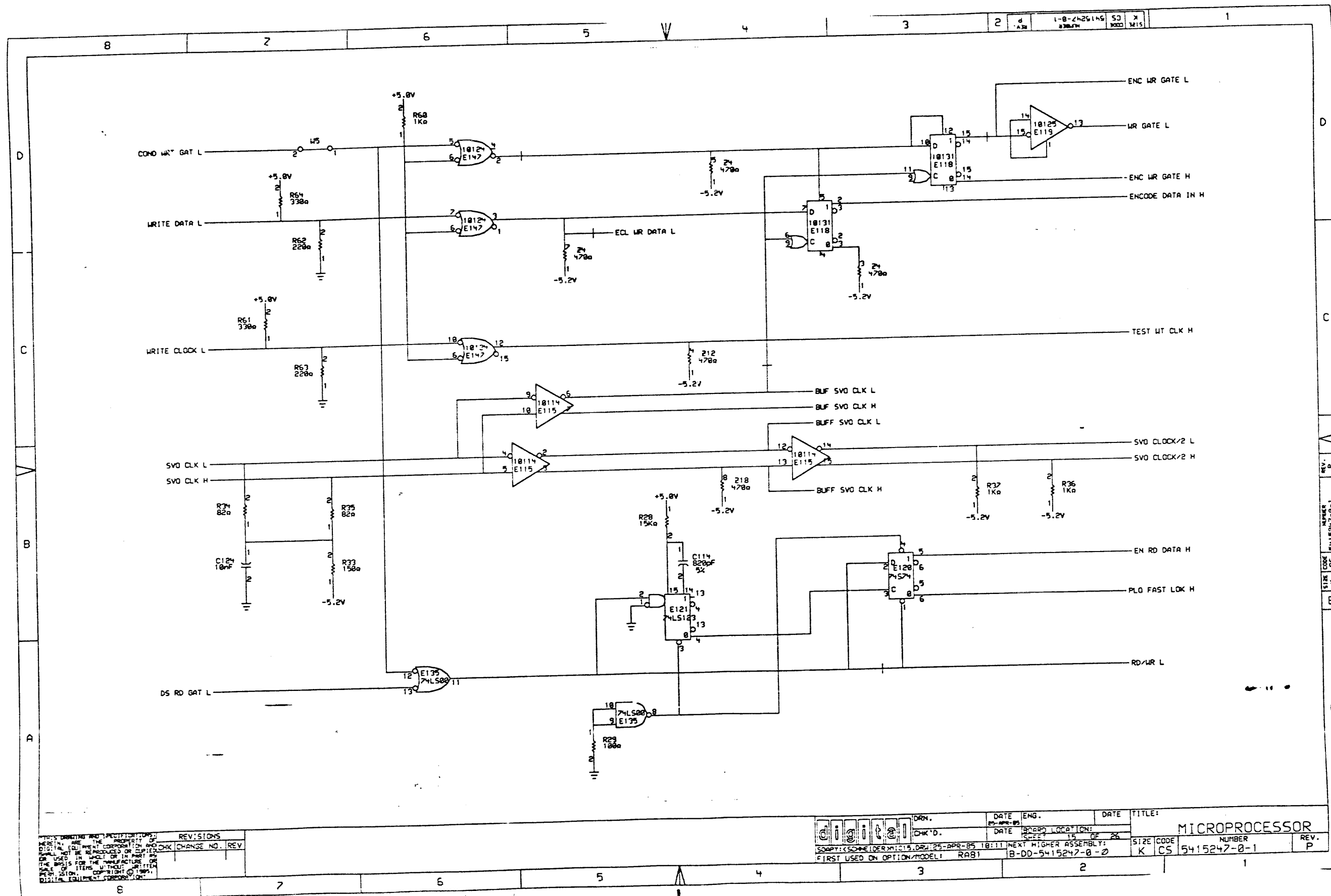
DRN.	DATE	ENG.	DATE	TITLE:
CHK'D.	DATE	BOARD LOCATION:	SHEET 11 OF 26	MICROPROCESSOR
SCOP: (SCHNEIDER) C13.DRW 125-APR-85 10:07	NEXT HIGHER ASSEMBLY:	SIZE	CODE	NUMBER
FIRST USED ON OPTION/MODEL: RAB1	B-DD-5415247-0-0	K	CS	5415247-0-1
				REV. P



THIS DRAWING AND SPECIFICATIONS ARE THE PROPERTY OF DIGITAL EQUIPMENT CORPORATION AND SHALL NOT BE REPRODUCED OR COPIED OR USED IN WHOLE OR IN PART AS THE BASIS FOR THE MANUFACTURE OR SALE OF ITEMS WITHOUT WRITTEN PERMISSION. COMPANY: DIGITAL EQUIPMENT CORPORATION.

REV.	CHG. NO.	REV.

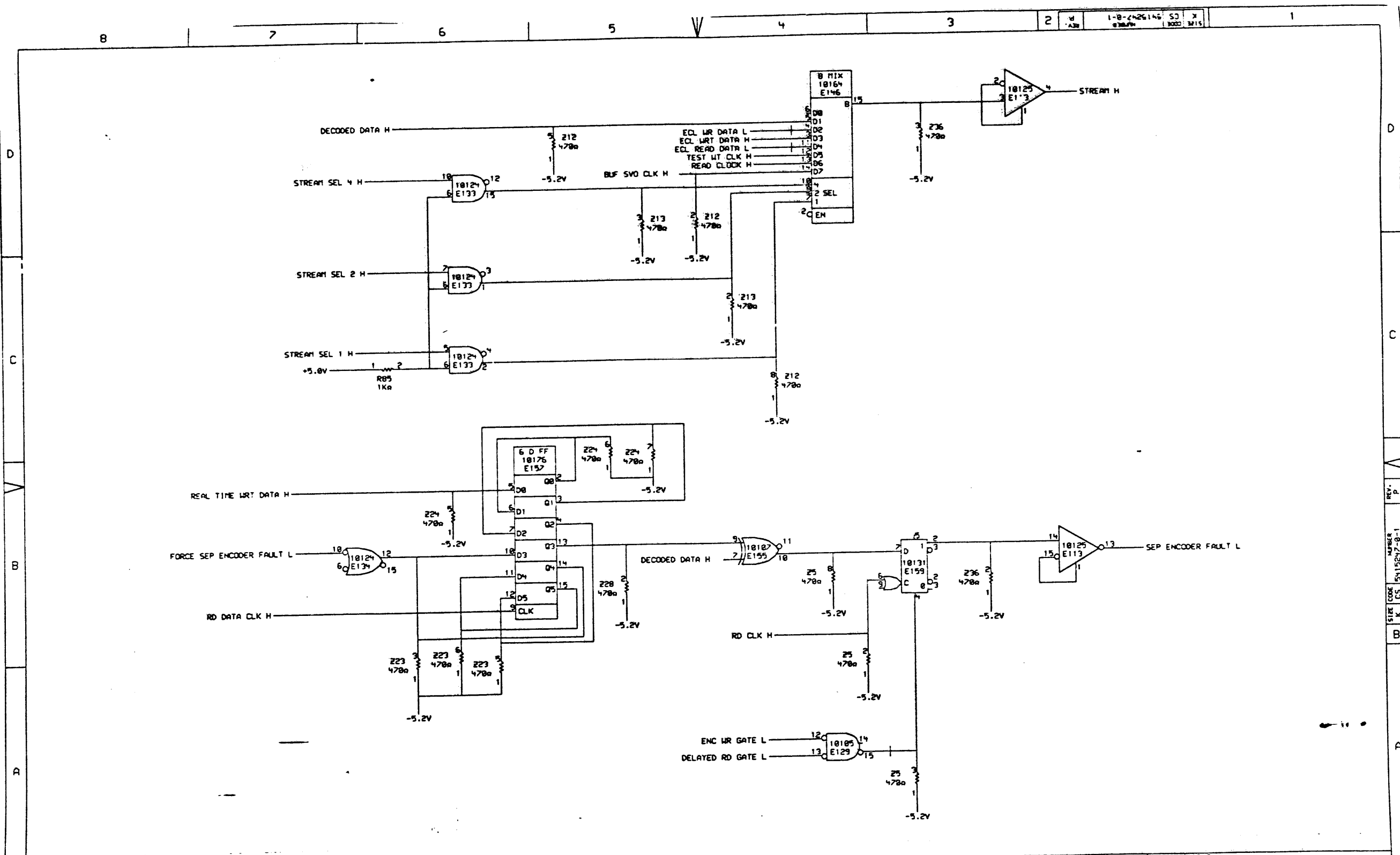
DRN. 18105	DATE 05-APR-85	ENG. RAB1	DATE 05-APR-85	TITLE: MICROPROCESSOR
CHK'D.	DATE	BOARD LOCATION:	SIZE CODE K CS	NUMBER 5415247-0-1
ISOPT. CODE: 18105	DRW: 25-APR-85	18:09	NEXT HIGHER ASSEMBLY: B-DD-5415247-0-2	REV. P
FIRST USED ON OPTION MODEL: RAB1				



THIS DRAWING AND SPECIFICATIONS ARE THE PROPERTY OF DIGITAL EQUIPMENT CORPORATION AND CHECK CHANGE NO. REV. SHALL NOT BE REPRODUCED OR COPIED IN WHOLE OR IN PART OR USED FOR THE MANUFACTURE OR SALE OF ITEMS WITHOUT WRITTEN PERMISSION. COPYRIGHT © 1984, DIGITAL EQUIPMENT CORPORATION.

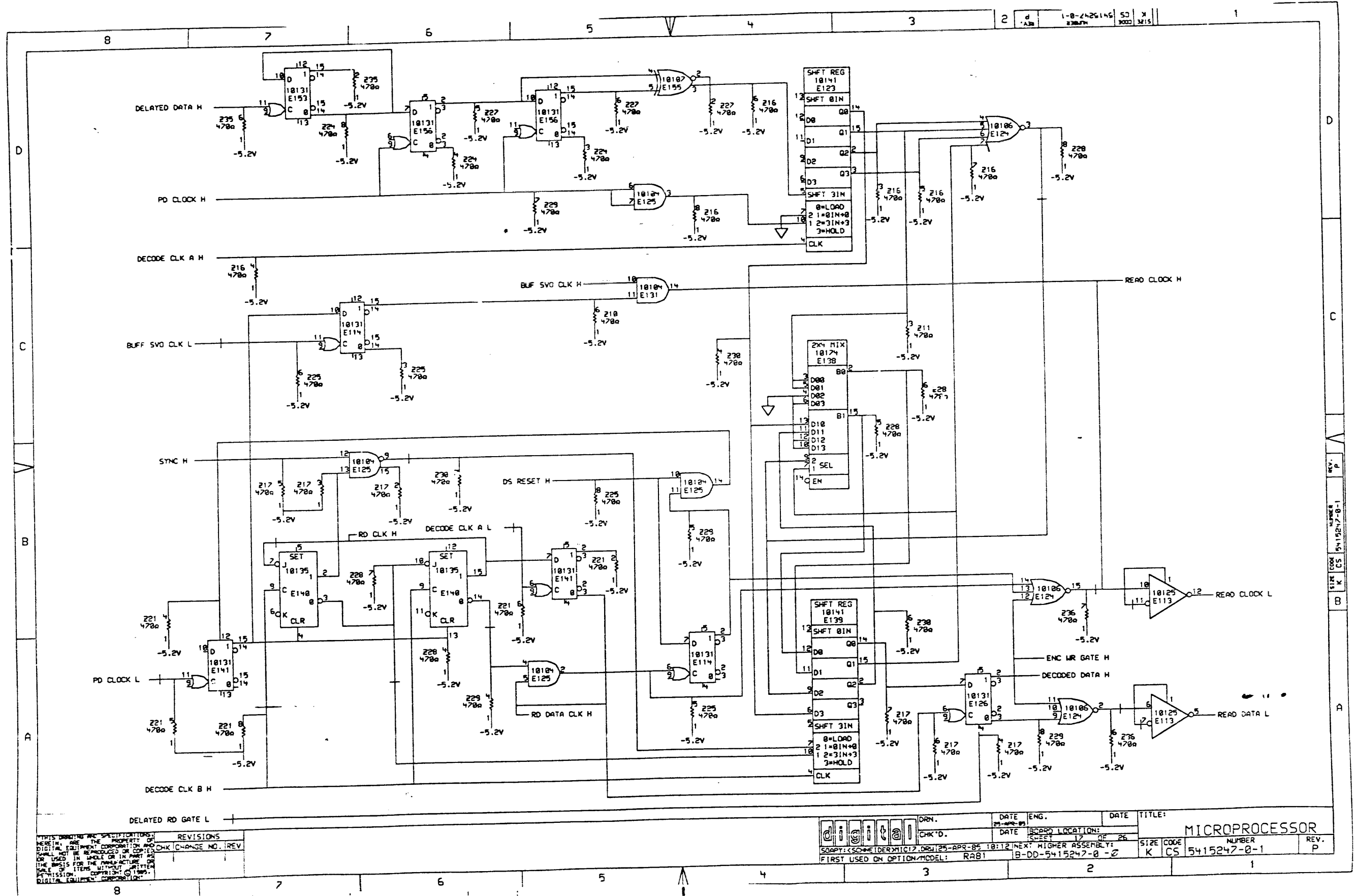
REV. NO.	DESCRIPTION

DATE: 05-APR-85	DATE: 05-APR-85	DATE: 05-APR-85	TITLE: MICROPROCESSOR
DRN.:	ENG.:	DATE: 05-APR-85	DATE: 05-APR-85
CHK'D.:	DATE: 05-APR-85	DATE: 05-APR-85	DATE: 05-APR-85
SHEET 15 OF 26			SIZE: K CS
FIRST USED ON OPTION/MODEL: RAB1			NUMBER: 5415247-0-1
NEXT HIGHER ASSEMBLY: 18-DD-5415247-0-0			REV. P



PARTS LIST AND SPECIFICATIONS HEREIN ARE THE PROPERTY OF DIGITAL EQUIPMENT CORPORATION AND SHALL NOT BE REPRODUCED OR COPIED OR USED IN WHOLE OR IN PART AS THE BASIS FOR THE MANUFACTURE OR SALE OF ITEMS WITHOUT WRITTEN PERMISSION. COPYRIGHT © 1989, DIGITAL EQUIPMENT CORPORATION.		REVISIONS CHK CHANGE NO. REV	DATE 05-08-89	ENG. RAB1	DATE 05-18-82	TITLE: MICROPROCESSOR
FIRST USED ON OPTION/MODEL: RAB1		BOARD LOCATION: SHEET 16 OF 26	SIZE CODE: K CS	NUMBER: 5415247-0-1	REV.: P	

REV. P
 NUMBER 5415247-0-1
 SIZE CODE K CS
 B

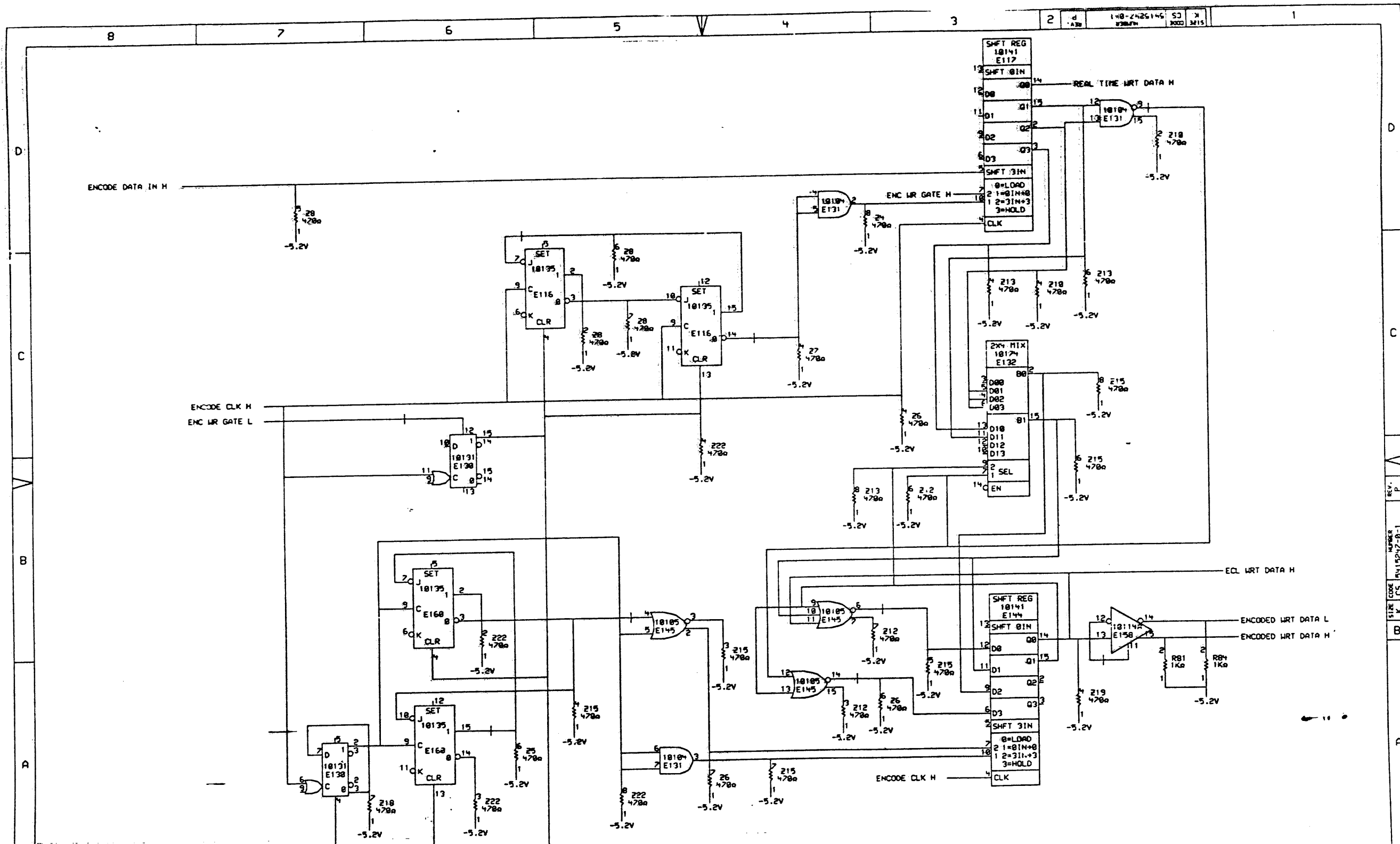


THIS DRAWING AND SPECIFICATIONS ARE THE PROPERTY OF DIGITAL EQUIPMENT CORPORATION AND SHALL NOT BE REPRODUCED OR COPIED OR USED IN WHOLE OR IN PART AS THE BASIS FOR THE MANUFACTURE OR SALE OF ITEMS WITHOUT WRITTEN PERMISSION. COPYRIGHT © 1980, DIGITAL EQUIPMENT CORPORATION.

REV.	CHG.	NO.	REV.

DRN.	DATE	ENG.	DATE	TITLE:
CHK'D.	DATE	BOARD LOCATION:	SHEET	MICROPROCESSOR
SOAPT:CSOINIDERXIC12.084125-APR-85 10:12 INEX: HIGHER ASSEMBLY:	17	26	26	
FIRST USED ON OPTION/MODEL: RAB1	18-DD-5415247-0-2			

SIZE CODE	NUMBER	REV.
K CS	5415247-0-1	P

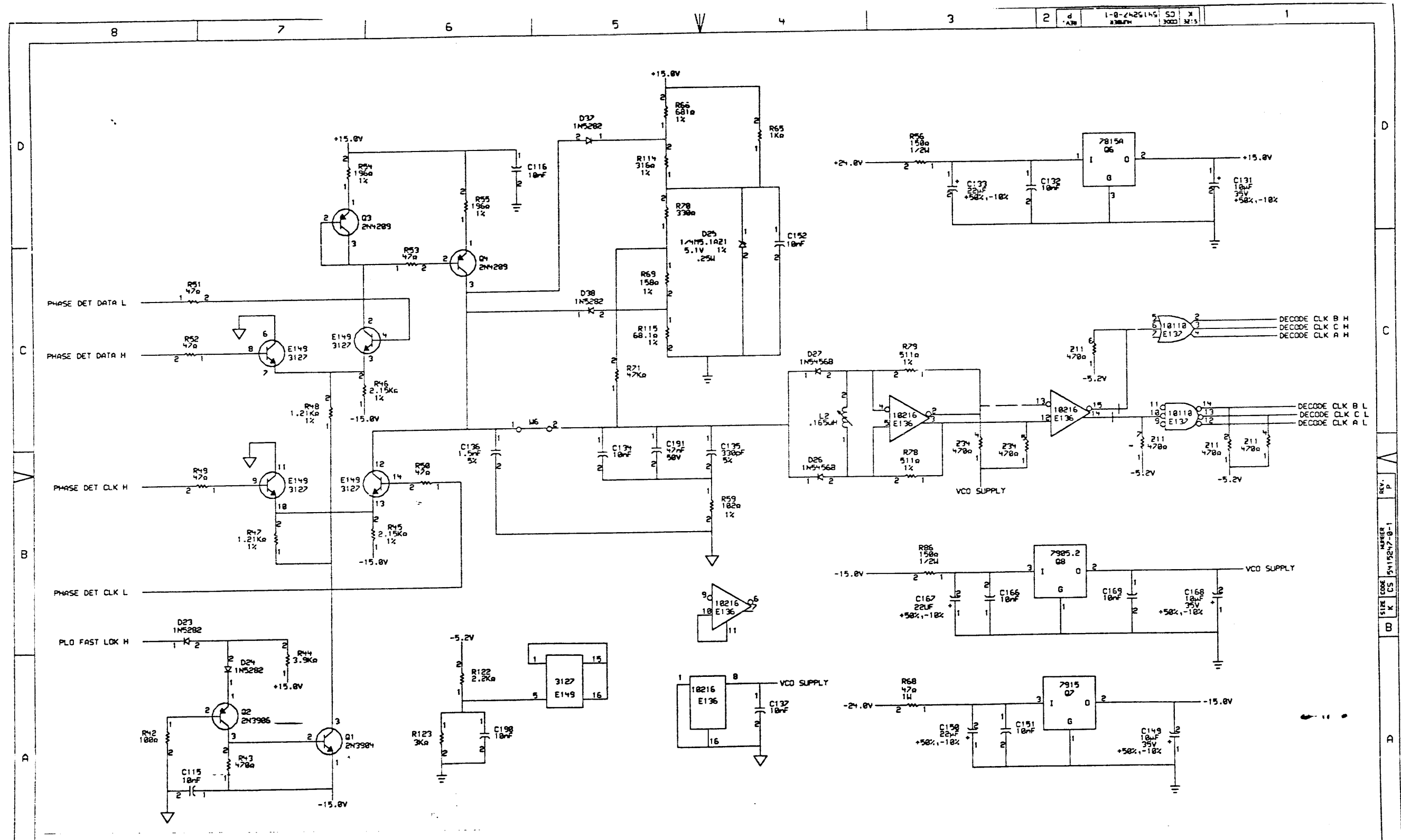


THIS DRAWING AND SPECIFICATIONS ARE THE PROPERTY OF DIGITAL EQUIPMENT CORPORATION AND SHALL NOT BE REPRODUCED OR COPIED OR USED IN WHOLE OR IN PART AS THE BASIS FOR THE MANUFACTURE OR SALE OF ITEMS WITHOUT WRITTEN PERMISSION. COPYRIGHT © 1981, DIGITAL EQUIPMENT CORPORATION.

REV. NO.	CHANGE NO.	REV.

DRN.	DATE	ENG.	DATE	TITLE:
				MICROPROCESSOR
CHK'D.	DATE	BOARD LOCATION:	SHEET	REV.
COPY: (5) - ME, (2) - SERVICIA, (1) - DEPT. CORR-85 18113 NEXT HIGHER ASSEMBLY:				SIZE
FIRST USED ON OPTIM CODE: RAB1				CODE
				NUMBER
				REV.
				P

REV. P
 NUMBER 5415247-0-1
 SIZE CODE CS
 K
 D

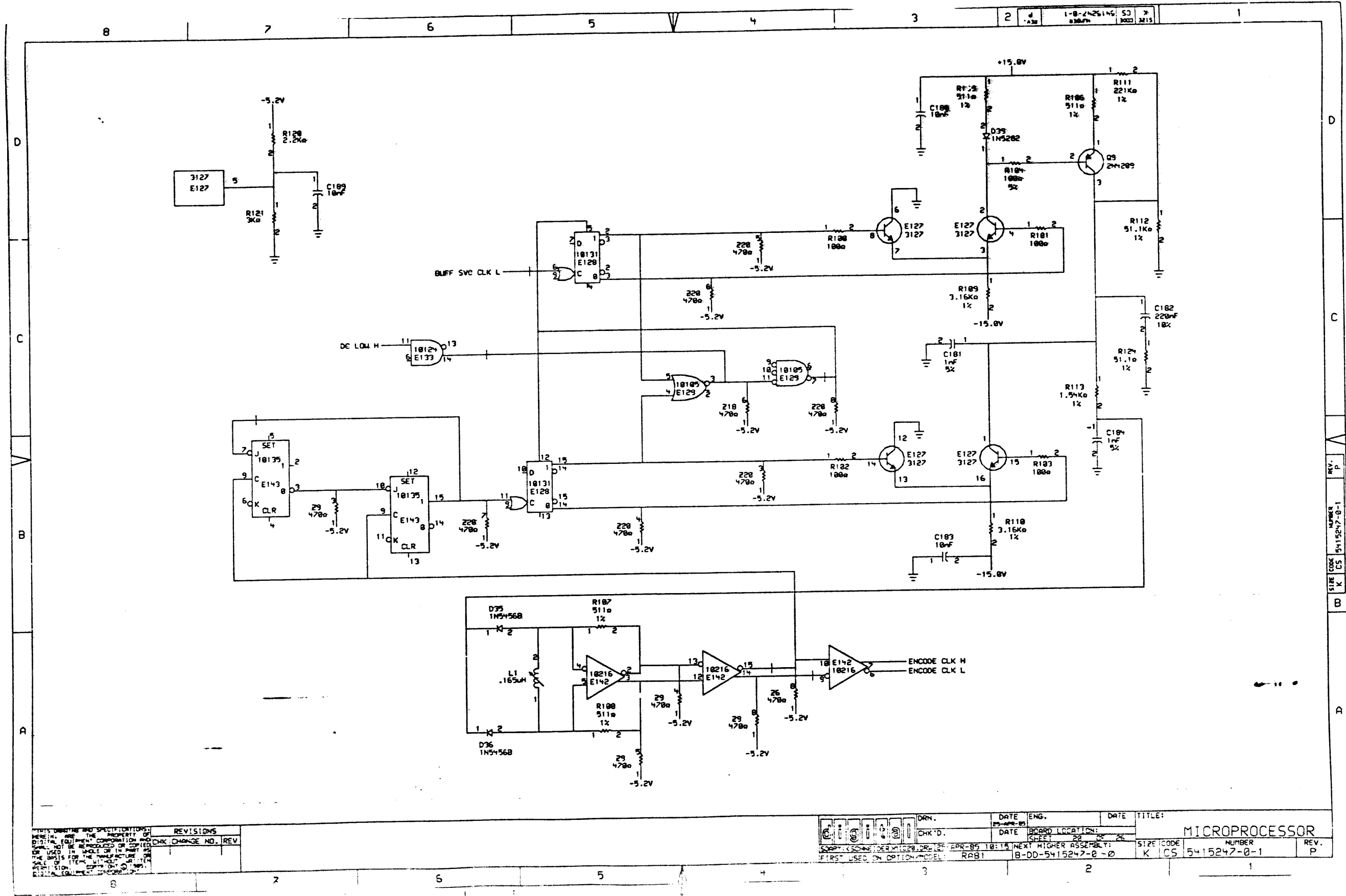


THIS DRAWING AND SPECIFICATIONS ARE THE PROPERTY OF DIGITAL EQUIPMENT CORPORATION AND SHALL NOT BE REPRODUCED OR COPIED IN WHOLE OR IN PART FOR ANY PURPOSES WITHOUT THE WRITTEN PERMISSION OF DIGITAL EQUIPMENT CORPORATION. COPYRIGHT © 1987.

CHK	CHANGE NO.	REV

REV.	DATE	ENG.	DATE	TITLE

	DRN. DATE 25-APR-85 ENG. LOCATION: 14 OF 26 NEXT HIGHER ASSEMBLY: B-00-5415247-0-2 FIRST USED ON OPTION/MODEL: RAB1	MICROPROCESSOR SIZE CODE NUMBER REV. K CS 5415247-0-1 P
--	---	---



REV.	CHG	NO.	REV.

DATE	ENG.	DATE	TITLE:
29-APR-85			MICROPROCESSOR
CHK'D.	BOARD LOCATION:	SIZE CODE	NUMBER
	SECT	K CS	5415247-0-1
FIRST USED IN OPTION MODEL:	RAB1	B-DD-5415247-0-0	REV. P

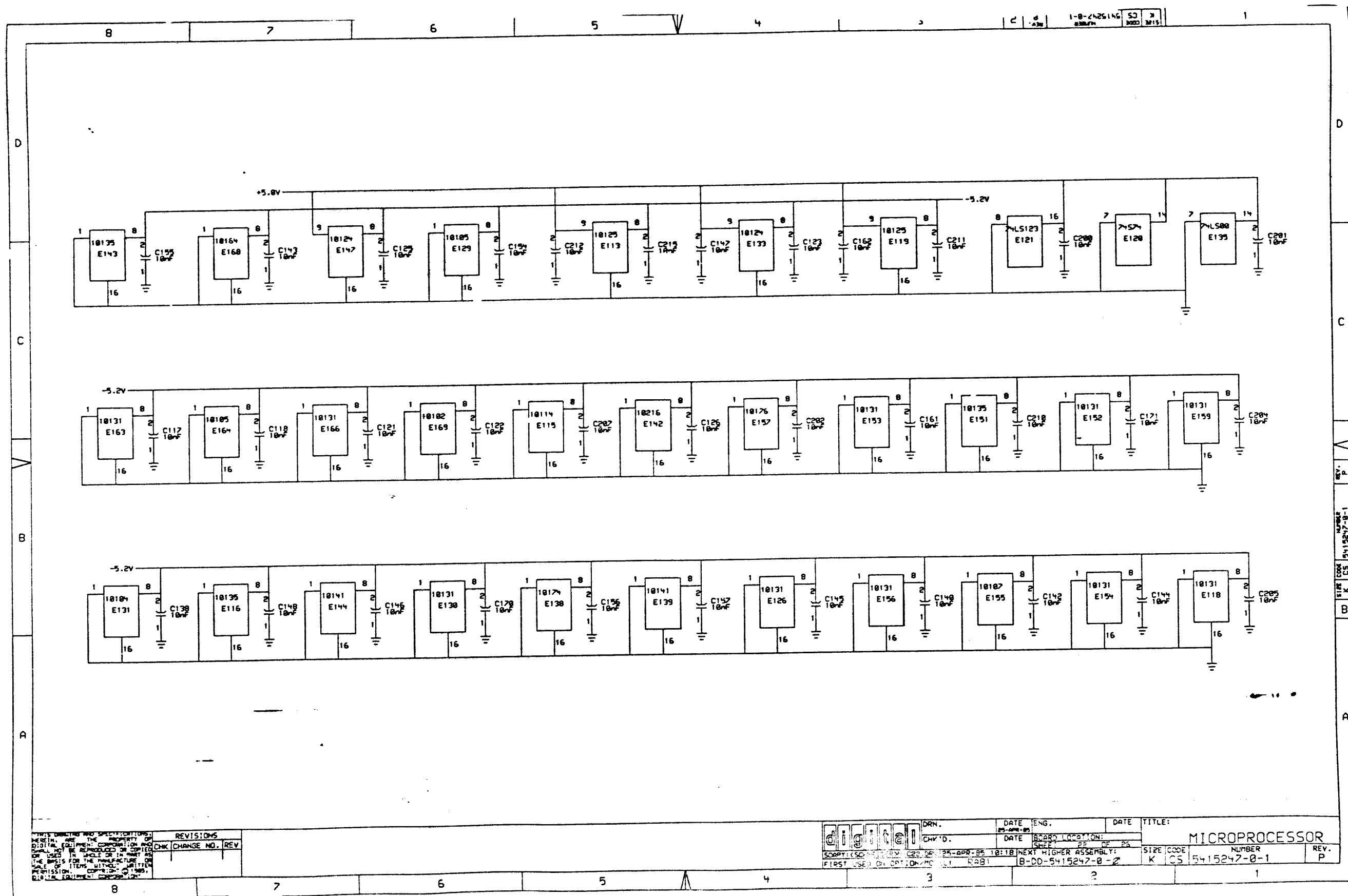


THIS DRAWING AND SPECIFICATIONS ARE THE PROPERTY OF DIGITAL EQUIPMENT CORPORATION AND SHALL NOT BE REPRODUCED OR COPIED OR USED IN WHOLE OR IN PART AS THE BASIS FOR THE MANUFACTURE OR SALE OF ITEMS WITHOUT WRITTEN PERMISSION. COPYRIGHT © 1984 DIGITAL EQUIPMENT CORPORATION.

REVISIONS		
CHK	CHANGE NO.	REV

	DRN.	DATE	ENG.	DATE	TITLE:
	CHK'D.	DATE	BOARD LOCATION:		MICROPROCESSOR
COPY: (SOURCE: DER) MIC1.DRW 25-APR-85 10:15 NEXT HIGHER ASSEMBLY:		SHEET 21 OF 26		SIZE	CODE
FIRST USED ON OPTION/MODEL: RAB1		B-DD-5415247-0-2		K	CS
				NUMBER	REV.
				5415247-0-1	P

SIZE CODE NUMBER REV. P
K CS 5415247-0-1

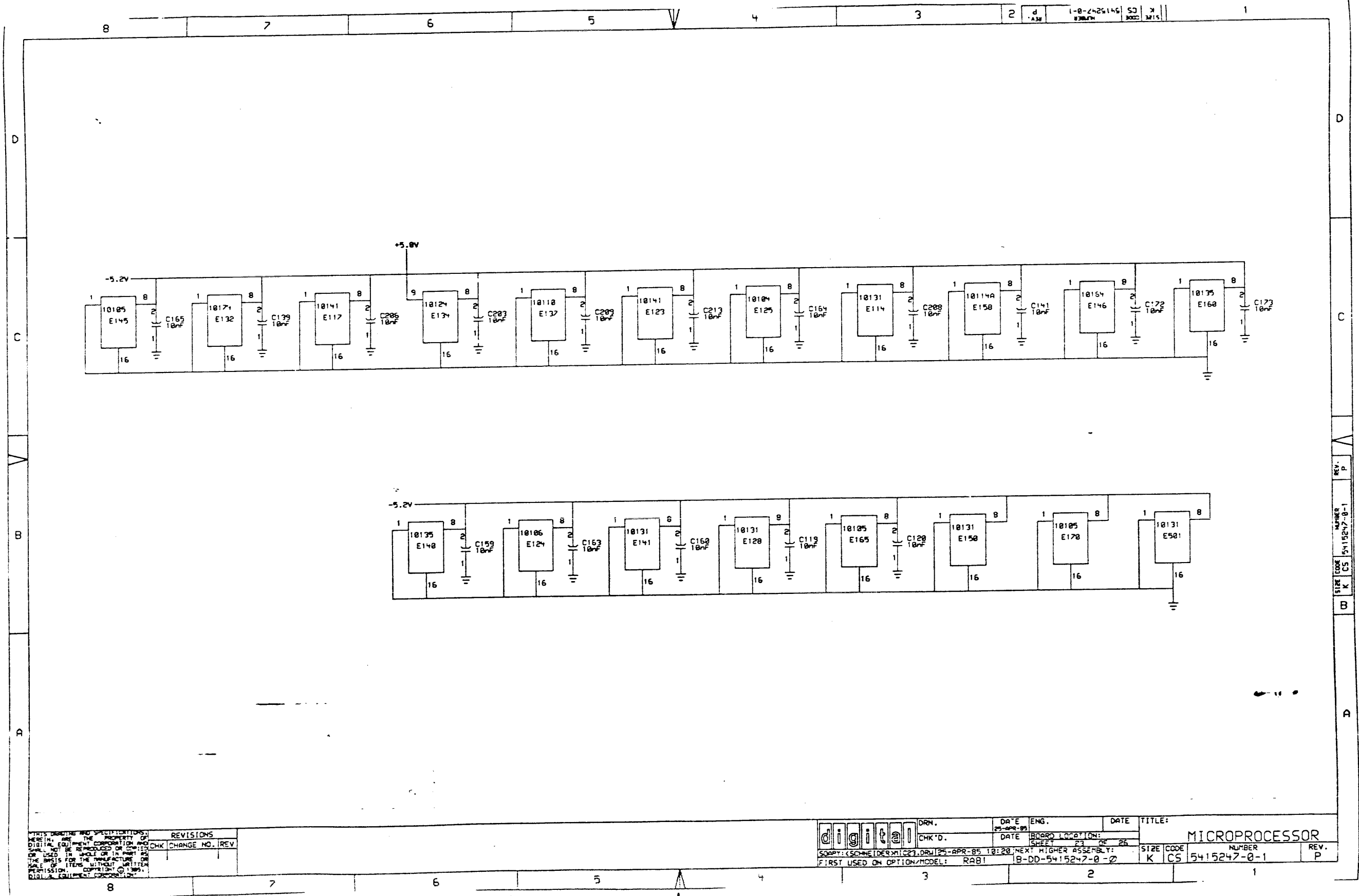


THIS DRAWING AND SPECIFICATIONS HEREIN ARE THE PROPERTY OF DIGITAL EQUIPMENT CORPORATION AND SHALL NOT BE REPRODUCED OR COPIED OR USED IN WHOLE OR IN PART AS THE BASIS FOR THE MANUFACTURE OR SALE OF ITEMS WITHOUT WRITTEN PERMISSION. COPYRIGHT © 1980, DIGITAL EQUIPMENT CORPORATION.

REVISIONS	
CHK	CHANGE NO. REV

	DRN.	DATE	ENG.	DATE	TITLE:
	CH'D.	DATE	BOARD LOCATION:	DATE	MICROPROCESSOR
SCOPY: (S) 25-APR-85 10:18 FIRST USED OR OPTION: RAB1	DATE: 25-APR-85 TIME: 10:18 NEXT HIGHER ASSEMBLY: B-DD-5415247-0-2	BOARD LOCATION: 25 SHEET: 25	SIZE CODE: K CS NUMBER: 5415247-0-1	REV.: P	

REV. P
 BOARD NUMBER 5415247-0-1
 SIZE CODE K CS



THIS DRAWING AND SPECIFICATIONS HERIN ARE THE PROPERTY OF DIGITAL EQUIPMENT CORPORATION AND SHALL NOT BE REPRODUCED OR COPIED IN WHOLE OR IN PART OR USED FOR THE MANUFACTURE OR SALE OF ITEMS WITHOUT WRITTEN PERMISSION. COPYRIGHT © 1985, DIGITAL EQUIPMENT CORPORATION.

REVISIONS		
CHK	CHANGE NO.	REV

	DRAWN	DATE	ENG.	DATE	TITLE
	CHK'D.	DATE	BOARD LOCATION:	SHEET	OF
SOA: (CS) M10E0X1221.DRW 125-APR-85 10:20 FIRST USED ON OPTION/MODEL: RAB1		NEXT HIGHER ASSEMBLY: B-DD-5415247-0-0		SIZE CODE K CS	NUMBER 5415247-0-1
					REV. P

REV. P
 BOARD NUMBER 5415247-0-1
 SIZE CODE K CS

Vertical location (A-D) Direction of line (Left, Right, Up, Down) or electrical (Input, Output, Both) or backplane pin (Pin)

KEY: 55-VH.D

Schematic Sheet Horizontal location (1-8)

(R+U) WHILE FLT L	5-D2,R	9-B2,L
+12.0V	12-B1,L	
+15.0V	12-B4,R	19-A7,D 19-D1,L 19-D5,D 19-D7,D 20-D2,D
+24.3V	2-B2,R	2-C7,R 19-D4,R
+5.0V	1-B7,L	1-B8,R 1-C1,D 1-C8,D 2-B5,D 2-C2,R
	2-C5,D 2-C6,L 2-C7,R 2-D4,D 2-D8,D 3-C5,D 3-C7,R 3-D7,D	
	5-B8,R 5-C8,R 5-D6,D 6-B3,R 6-B3,R 6-B4,R 6-B4,R 6-B8,R	
	6-B8,R 6-C1,R 7-A3,D 7-A5,R 7-A7,R 7-B2,D 7-B5,R 7-C3,D	
	7-C6,R 7-D5,R 7-D8,R 8-A4,R 8-A8,R 8-C6,D 9-A2,R 9-A2,R	
	10-B3,D 10-C3,D 10-C8,D 10-D6,D 11-A8,R 11-B4,D 11-B5,R 11-B6,D	
	11-B6,L 11-B7,R 11-B8,D 11-D3,D 11-D5,D 11-D6,D 11-D7,D	
	11-D7,R 12-C2,R 12-C8,R 13-B4,D 13-C4,R 14-D8,D 15-B5,D	
	15-C7,D 15-D6,D 15-D7,D 16-C7,R 21-B8,D 21-B8,D 21-C8,D 21-C8,D	
	21-D7,D 22-D7,R 23-C6,D	
-12.0V	12-B1,L	
-15.0V	12-B4,R	19-A2,L 19-A7,D 19-B4,R 19-B6,D 19-C7,D
	20-B3,D 20-C3,D	
-24.0V	2-C2,R	2-D7,R 19-A3,R
-5.2V	2-B2,R	2-C6,L 14-A1,D 14-A1,D 14-A2,D 14-A2,D
	14-A3,D 14-A5,D 14-A6,D 14-A7,D 14-B2,D 14-B3,D 14-B3,D 14-B4,D	
	14-B4,D 14-B5,D 14-B7,D 14-C1,D 14-C1,D 14-C2,D 14-C2,D 14-C3,D	
	14-C3,D 14-C3,D 14-C4,D 14-C4,D 14-C6,D 14-C7,D 14-C7,D 14-C7,D	
	14-C8,D 14-D2,D 14-D3,D 14-D3,D 14-D3,D 14-D4,D 14-D4,D 14-D4,D	
	14-D5,D 14-D6,D 14-D7,D 14-D7,D 15-B2,D 15-B3,D 15-B4,D 15-B7,D	
	15-C3,D 15-C4,D 15-C5,D 15-D4,D 16-A3,D 16-A4,D 16-A6,D 16-B3,D	
	16-B4,D 16-B5,D 16-B5,D 16-B6,D 16-C4,D 16-C4,D 16-C5,D 16-C5,D	
	16-D3,D 16-D5,D 17-A2,D 17-A2,D 17-A2,D 17-A3,D 17-A3,D 17-A3,D	
	17-A3,D 17-A4,D 17-A5,D 17-A6,D 17-A6,D 17-A7,D 17-A8,D 17-B3,D	
	17-B4,D 17-B5,D 17-B5,D 17-B6,D 17-B6,D 17-B6,D 17-B7,D 17-C3,D	
	17-C3,D 17-C4,D 17-C5,D 17-C6,D 17-C7,D 17-C7,D 17-D2,D 17-D3,D	
	17-D3,D 17-D3,D 17-D4,D 17-D4,D 17-D4,D 17-D5,D 17-D5,D 17-D5,D	
	17-D6,D 17-D6,D 17-D6,D 17-D7,D 17-D7,D 18-A2,D 18-A2,D 18-A3,D	
	18-A4,D 18-A4,D 18-A4,D 18-A4,D 18-A4,D 18-A5,D 18-A5,D 18-A5,D	
	18-A6,D 18-A6,D 18-A6,D 18-A7,D 18-B2,D 18-B3,D 18-B3,D 18-B4,D	
	18-B5,D 18-C2,D 18-C2,D 18-C3,D 18-C3,D 18-C4,D 18-C4,D 18-C5,D	
	18-C5,D 18-C5,D 18-D2,D 18-D7,D 19-B1,D 19-B2,D 19-B6,D 19-C2,D	
	20-A4,D 20-A4,D 20-A5,D 20-A5,D 20-B4,D 20-B4,D 20-B5,D 20-B6,D	
	20-B7,D 20-C4,D 20-C4,D 20-D7,D 22-B8,R 22-C8,R 22-D3,L	
	23-B6,R 23-C8,R	
A00 H	3-B3,L	6-A3,R 6-A5,R
A01 H	3-B3,L	6-A3,R 6-A5,R
A02 H	3-B3,L	6-A3,R 6-A5,R
A03 H	3-B3,L	6-A3,R 6-A5,R
A04 H	3-B3,L	6-A3,R 6-A5,R
A05 H	3-B3,L	6-A3,R 6-A5,R
A06 H	3-A3,L	6-A3,R 6-A5,R
A07 H	3-A3,L	6-A3,R 6-A5,R
A08 H	3-D4,L	4-C8,R 5-A8,R 5-C8,R 6-A3,R 6-A5,R
	6-C3,R 6-C4,R 6-C8,R 8-C2,R 8-C4,R 5-C8,R 6-A3,R 6-A5,R	
A09 H	3-C4,L	4-C8,R 5-A8,R 5-C8,R 6-A3,R 6-A5,R
	6-C3,R 6-C4,R 6-C8,R 8-C2,R 8-C4,R 8-C5,R 8-C7,R	
A10 H	3-C4,L	4-C8,R 5-C8,R 6-A3,R 6-A5,R 6-C3,R
	6-C4,R 6-C8,R 8-B2,R 8-C2,R 8-C4,R 8-C5,R 8-C7,R	
A11 H	4-A4,R	4-A8,R 6-A3,R 6-A5,R 6-A6,R 8-A4,R
	8-C8,R	

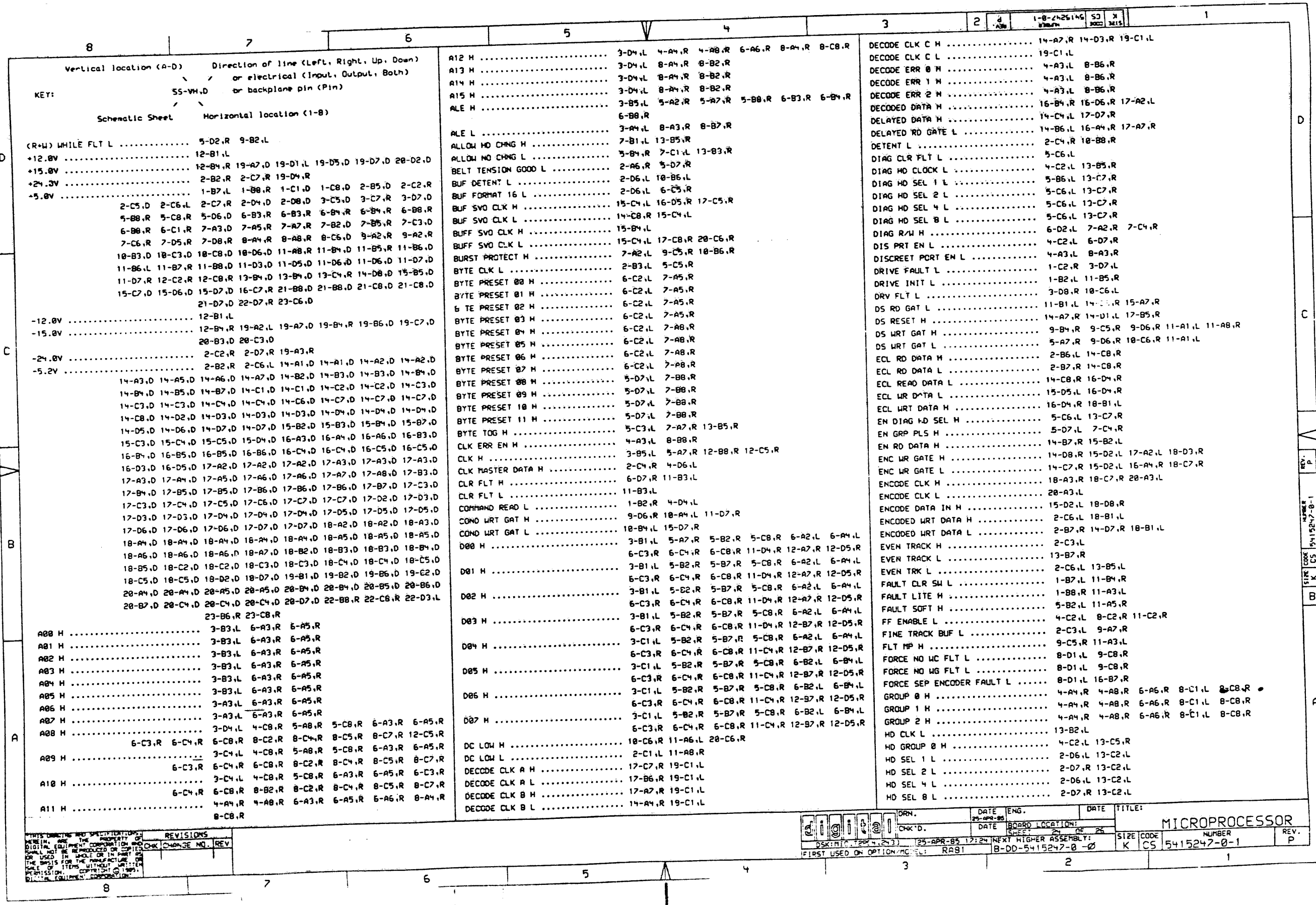
A12 H	3-D4,L	4-A4,R 4-A8,R 6-A6,R 8-A4,R 8-C8,R
A13 H	3-D4,L	8-A4,R 8-B2,R
A14 H	3-D4,L	8-A4,R 8-B2,R
A15 H	3-D4,L	8-A4,R 8-B2,R
ALE H	3-B5,L	5-A2,R 5-A7,R 5-B8,R 6-B3,R 6-B4,R
	6-B8,R	
ALE L	3-A4,L	8-A3,R 8-B7,R
ALLOW MD CHNG H	7-B1,L	13-B5,R
ALLOW MD CHNG L	5-B4,R	7-C1,L 13-B3,R
BELT TENSION GOOD L	2-A6,R	5-D7,R
BUF DETENT L	2-D6,L	10-B6,L
BUF FORMAT 16 L	2-D6,L	6-C5,R
BUF SVO CLK H	15-C4,L	16-D5,R 17-C5,R
BUF SVO CLK L	14-C8,R	15-C4,L
BUFF SVO CLK H	15-B4,L	
BUFF SVO CLK L	15-C4,L	17-C8,R 20-C6,R
BURST PROTECT H	7-A2,L	9-C5,R 10-B6,R
BYTE CLK L	2-B3,L	5-C5,R
BYTE PRESET 00 H	6-C2,L	7-A5,R
BYTE PRESET 01 H	6-C2,L	7-A5,R
BYTE PRESET 02 H	6-C2,L	7-A5,R
BYTE PRESET 03 H	6-C2,L	7-A5,R
BYTE PRESET 04 H	6-C2,L	7-A8,R
BYTE PRESET 05 H	6-C2,L	7-A8,R
BYTE PRESET 06 H	6-C2,L	7-A8,R
BYTE PRESET 07 H	6-C2,L	7-A8,R
BYTE PRESET 08 H	5-D7,L	7-B8,R
BYTE PRESET 09 H	5-D7,L	7-B8,R
BYTE PRESET 10 H	5-D7,L	7-B8,R
BYTE PRESET 11 H	5-D7,L	7-B8,R
BYTE TOG H	5-C3,L	7-A7,R 13-B5,R
CLK ERR EN H	4-A3,L	8-B8,R
CLK H	3-B5,L	5-A7,R 12-B8,R 12-C5,R
CLK MASTER DATA H	2-C4,R	4-D6,L
CLR FLT H	6-D7,R	11-B3,L
CLR FLT L	11-B3,L	
COMMAND READ L	1-B2,R	4-D4,L
COND WRT GAT H	9-D6,R	10-A4,L 11-D7,R
COND WRT GAT L	10-B4,L	15-D7,R
D00 H	3-B1,L	5-A7,R 5-B2,R 5-C8,R 6-A2,L 6-A4,L
	6-C3,R 6-C4,R 6-C8,R 11-D4,R 12-A7,R 12-D5,R	
D01 H	3-B1,L	5-B2,R 5-B7,R 5-C8,R 6-A2,L 6-A4,L
	6-C3,R 6-C4,R 6-C8,R 11-D4,R 12-A7,R 12-D5,R	
D02 H	3-B1,L	5-C2,R 5-B7,R 5-C8,R 6-A2,L 6-A4,L
	6-C3,R 6-C4,R 6-C8,R 11-D4,R 12-A7,R 12-D5,R	
D03 H	3-B1,L	5-B2,R 5-B7,R 5-C8,R 6-A2,L 6-A4,L
	6-C3,R 6-C4,R 6-C8,R 11-D4,R 12-B7,R 12-D5,R	
D04 H	3-C1,L	5-B2,R 5-B7,R 5-C8,R 6-A2,L 6-A4,L
	6-C3,R 6-C4,R 6-C8,R 11-C4,R 12-B7,R 12-D5,R	
D05 H	3-C1,L	5-B2,R 5-B7,R 5-C8,R 6-B2,L 6-B4,L
	6-C3,R 6-C4,R 6-C8,R 11-C4,R 12-B7,R 12-D5,R	
D06 H	3-C1,L	5-B2,R 5-B7,R 5-C8,R 6-B2,L 6-B4,L
	6-C3,R 6-C4,R 6-C8,R 11-C4,R 12-B7,R 12-D5,R	
D07 H	3-C1,L	5-B2,R 5-B7,R 5-C8,R 6-B2,L 6-B4,L
	6-C3,R 6-C4,R 6-C8,R 11-C4,R 12-B7,R 12-D5,R	
DC LOW H	10-C6,R	11-A6,L 20-C6,R
DC LOW L	2-C1,L	11-A8,R
DECODE CLK A H	17-C7,R	19-C1,L
DECODE CLK A L	17-B6,R	19-C1,L
DECODE CLK B H	17-A7,R	19-C1,L
DECODE CLK B L	14-A4,R	19-C1,L

DECODE CLK C H	14-A7,R	14-D3,R 19-C1,L
DECODE CLK C L	19-C1,L	
DECODE ERR 0 H	4-A3,L	8-B6,R
DECODE ERR 1 H	4-A3,L	8-B6,R
DECODE ERR 2 H	4-A3,L	8-B6,R
DECODED DATA H	16-B4,R	16-D6,R 17-A2,L
DELAYED DATA H	14-C4,L	17-D7,R
DELAYED RD GATE L	14-B6,L	16-A4,R 17-A7,R
DETENT L	2-C4,R	10-B8,R
DIAG CLR FLT L	5-C6,L	
DIAG MD CLOCK L	4-C2,L	13-B5,R
DIAG MD SEL 1 L	5-B6,L	13-C7,R
DIAG MD SEL 2 L	5-C6,L	13-C7,R
DIAG MD SEL 4 L	5-C6,L	13-C7,R
DIAG MD SEL 8 L	5-C6,L	13-C7,R
DIAG R/W H	6-D2,L	7-A2,R 7-C4,R
DIS PRT EN L	4-C2,L	6-D7,R
DISCREET PCRT EN L	4-A3,L	8-A3,R
DRIVE FAULT L	1-C2,R	3-D7,L
DRIVE INIT L	1-B2,L	11-B5,R
DRV FLT L	3-D8,R	10-C6,L
DS RD GAT L	11-B1,L	14-C1,R 15-A7,R
DS RESET H	14-A7,R	14-D1,L 17-B5,R
DS WRT GAT H	9-B4,R	9-C5,R 9-D6,R 11-A1,L 11-A8,R
DS WRT GAT L	5-A7,R	9-D6,R 10-C6,R 11-A1,L
ECL RD DATA H	2-B6,L	14-C8,R
ECL RD DATA L	2-B7,R	14-C8,R
ECL READ DATA L	14-C8,R	16-D4,R
ECL WR DATA L	15-D5,L	16-D4,R
ECL WRT DATA H	16-D4,R	18-B1,L
EN DIAG MD SEL H	5-C6,L	13-C7,R
EN GRP PLS H	5-D7,L	7-C4,R
EN RD DATA H	14-B7,R	15-B2,L
ENC WR GATE H	14-D8,R	15-D2,L 17-A2,L 18-D3,R
ENC WR GATE L	14-C7,R	15-D2,L 16-A4,R 18-C7,R
ENCODE CLK H	18-A3,R	18-C7,R 20-A3,L
ENCODE CLK L	20-A3,L	
ENCODE DATA IN H	15-D2,L	18-D8,R
ENCODED DATA H	2-C6,L	18-B1,L
ENCODED WRT DATA L	2-B7,R	14-D7,R 18-B1,L
EVEN TRACK H	2-C3,L	
EVEN TRACK L	13-B7,R	
EVEN TRK L	2-C6,L	13-B5,L
FAULT CLR SW L	1-B7,L	11-B4,R
FAULT LITE H	1-B8,R	11-A3,L
FAULT SOFT H	5-B2,L	11-A5,R
FF ENABLE L	4-C2,L	8-C2,R 11-C2,R
FINE TRACK BUF L	2-C3,L	9-A7,R
FLT MP H	9-C5,R	11-A3,L
FORCE NO WC FLT L	8-D1,L	9-C8,R
FORCE NO WG FLT L	8-D1,L	9-C8,R
FORCE SEP ENCODER FAULT L	8-D1,L	16-B7,R
GROUP 0 H	4-A4,R	4-A8,R 6-A6,R 8-C1,L 8-C8,R
GROUP 1 H	4-A4,R	4-A8,R 6-A6,R 8-C1,L 8-C8,R
GROUP 2 H	4-A4,R	4-A8,R 6-A6,R 8-C1,L 8-C8,R
HD CLK L	13-B2,L	
HD GROUP 0 H	4-C2,L	13-C5,R
HD SEL 1 L	2-D6,L	13-C2,L
HD SEL 2 L	2-D7,R	13-C2,L
HD SEL 4 L	2-D6,L	13-C2,L
HD SEL 8 L	2-D7,R	13-C2,L

THIS DRAWING AND SPECIFICATIONS ARE THE PROPERTY OF DIGITAL EQUIPMENT CORPORATION AND SHALL NOT BE REPRODUCED OR COPIED OR USED IN WHOLE OR IN PART AS THE BASIS FOR THE MANUFACTURE OR SALE OF ITEMS WITHOUT WRITTEN PERMISSION. COPYRIGHT © 1981, DIGITAL EQUIPMENT CORPORATION.

REVISIONS		
CHK	CHANGE NO.	REV

ORIN.	DATE	ENG.	DATE	TITLE:
CHK'D.	DATE	BOARD LOCATION:	ISSUE:	MICROPROCESSOR
SKETCH	25-APR-85 17:24	NEXT HIGHER ASSEMBLY:	SIZE CODE	NUMBER
FIRST USED ON OPTION MODEL:	RAB1	B-DD-5415247-0-0	K CS	5415247-0-1
			REV.	P



8		7		6		5		4		3		2		1	
HD SHORT DIAG L	2-C6,L	6-C7,L	HD SHORT L	5-C2,R	9-C3,L	PHASE DET DATA H	14-C1,L	PHASE DET DATA L	14-C1,L	SECT PRESET 05 H	6-D4,L	7-D8,R	SECT PRESET 06 H	6-D4,L	7-D8,R
HEAD ADR 1 L	1-B2,L	13-C7,R	HEAD ADR 2 L	1-B2,L	13-C7,R	PLO FAST LOK H	15-B2,L	PORT A LITE H	1-B8,R 5-B2,L	SECT PRESET 07 H	6-D4,L	7-D8,R	SECTOR PULSE H	1-B2,R	7-B1,L
HEAD ADR 4 L	1-B2,L	13-C7,R	HEAD ADR 8 L	1-B2,L	13-C7,R	PORT A SEL SW L	1-C7,L 6-D7,R	PORT B LITE H	1-A8,R 5-B2,L	SECTOR PULSE L	5-D7,R	7-B2,L 11-C8,R	SEEK ERROR H	5-B6,L	10-C6,R
HS 1 L	5-A7,R	13-C2,L	HS 2 L	5-A7,R	13-C2,L	PORT B SEL SW L	1-B7,L 6-D7,R	PWR ON RST L	2-C4,R 11-B4,L	SEP ENCODER FAULT L	9-B4,R	16-B2,L	SEP ENCODER FLT L	5-D2,R	9-B2,L
HS 4 L	5-A7,R	13-C2,L	HS 8 L	5-A7,R	13-B2,L	PWR UP RST L	7-C4,R 8-A8,R 11-B5,L 12-C6,R	R/W ENABLE L	2-D7,R 10-C5,L	SERVO CHECK FAULT L	5-D2,R	9-A2,L	SERVO EN L	4-D3,L	
I LOCK EMBEDDED L	2-D4,R	5-D7,L	I LOCK OP L	1-C7,L	5-D7,L	RAM 0 L	5-A2,R 5-B7,L	RAM ERROR H	5-B7,L 8-B8,R	SERVO FAULT H	2-C3,L	11-C2,R	SERVO FAULT L	9-A4,R	11-C1,L
I LOCK PC L	1-C1,L	5-D7,L	I LOCK R/W L	2-C8,R	5-D7,L	RD CLK H	16-B4,R 17-B7,L	RD DATA CLK H	16-B7,R 17-A5,L	SET HD SHORT L	2-C6,L	9-C4,R	SET STATUS L	1-C2,R	4-C5,L
I LOCK SERVO L	2-C5,R	5-D7,L	I/O H	3-B6,L 5-A2,R 6-B8,R	5-A7,R 5-B8,R 6-B3,R 6-B4,R	RD DIAG DATA L	1-B2,R 4-D4,L	RD H	3-A5,L 4-C8,R	SLAVE DATA IN L	2-C4,R	4-D6,L	SLAVE DATA RDY L	2-C3,L	3-B8,R
I/O L	3-B5,L 8-B2,R	5-A7,R 5-B8,R 6-B3,R 6-B4,R	RD L	6-B4,R 6-B8,R 12-C5,R	5-A7,R 5-B8,R 6-A5,R 6-B3,R	RD OFF TRK BIT L	5-C2,R 9-C3,L	RD#4UR L	5-C2,R 9-D3,L	SLAVE EN L	3-A8,R 3-C3,R 4-A6,L 4-D4,R	SNYC H	5-D7,L	12-C5,L	
IDX ERR DET L	5-C2,R	9-B2,L	RD#4UR L	14-B8,R 15-A2,L	5-A7,R 5-B8,R 6-A5,R 6-B3,R	RD#4UR L	14-B8,R 15-A2,L	READ CLOCK H	16-D4,R 17-C2,L	SPINDLE MTR RUN L	2-C4,R	11-B2,R	SPINDLE MTR START L	2-C4,R	11-C2,R
IDX ERR L	7-B3,L	9-B4,R	READ CLOCK L	1-B5,R 17-B1,L	5-A7,R 5-B8,R 6-A5,R 6-B3,R	READ DATA L	1-B5,R 17-A1,L	READ GATE L	1-A4,L 11-B2,R	START RELAY L	2-C2,R	11-C1,L	STREAM H	6-C1,R	16-D2,L
IDX RESTART L	5-B3,L	7-D8,R	READ DATA L	1-B5,R 17-A1,L	5-A7,R 5-B8,R 6-A5,R 6-B3,R	READY LITE H	1-B8,R 5-B2,L	REAL TIME WRT DATA H	16-B7,R 18-D2,L	STREAM SEL 1 H	6-D2,L	16-C7,R	STREAM SEL 2 H	6-D2,L	16-C6,R
IDX SYNC L	5-B4,R	7-C3,L	REC DATA L	2-A2,L 12-C1,L	5-A7,R 5-B8,R 6-A5,R 6-B3,R	REG 1 FLT L	9-C1,L 10-C8,R	REG 2 FLT L	9-A1,L 10-C8,R	STREAM SEL 4 H	6-D2,L	16-D6,R	SVO CLK H	2-B3,L	15-B7,R
IMBED OK L	9-B6,R	7-D2,L	REG 1 FLT L	9-C1,L 10-C8,R	5-A7,R 5-B8,R 6-A5,R 6-B3,R	REG 2 FLT L	9-A1,L 10-C8,R	RES DC FLT LATCH L	4-D2,L 11-A8,R	SVO CLK L	2-B3,L	15-B7,R	SVO CLK/2 H	1-B5,R	15-B2,L
IMBED RESET L	7-D2,L	2-B3,L	RES DC FLT LATCH L	4-D2,L 11-A8,R	5-A7,R 5-B8,R 6-A5,R 6-B3,R	RESET H	6-C8,R 12-C5,R	RESET SLAVE H	4-B2,R 6-D2,L	SVO CLK/2 L	1-B5,R	15-B2,L	SYNC H	14-A5,L	17-B8,R
IN D3 L	1-C2,R	4-D4,L	RESET H	6-C8,R 12-C5,R	5-A7,R 5-B8,R 6-A5,R 6-B3,R	RESET SLAVE L	2-B3,L 4-B1,L	ROM 0 H	5-B8,R 8-B3,L	TACH PULSE H	2-B4,R	11-B1,L	TACH PULSE L	2-C6,L	11-B2,R
IN D4 L	1-C2,R	4-D4,L	ROM 1 H	6-B8,R 8-B3,L	5-A7,R 5-B8,R 6-A5,R 6-B3,R	ROM 2 H	6-B4,R 8-B3,L	ROM 3 H	6-B3,R 8-A3,L	TEMP HDA H	2-C7,R	6-D7,R	TRANS DATA L	2-A3,R	12-D4,L
IN D5 L	1-C2,R	4-D4,L	ROM 4 L	5-A5,L 8-A3,R	5-A7,R 5-B8,R 6-A5,R 6-B3,R	ROM 5 L	6-A5,L 8-A3,R	RST/INT L	3-C7,R 4-B3,R 11-B3,L 13-C4,R	TSB NATIVE 0 H	1-B2,R	3-A1,L	TSB NATIVE 1 H	1-B2,R	3-A1,L
IMBED OK L	2-C4,R	2-B3,L	RST/INT L	3-C7,R 4-B3,R 11-B3,L 13-C4,R	5-A7,R 5-B8,R 6-A5,R 6-B3,R	RTS/DTR H	2-A3,R 12-C3,L	RUN RELAY L	2-C2,R 11-B1,L	TSB NATIVE 2 H	1-B2,R	3-A1,L	TSB NATIVE 3 H	1-B2,R	3-A1,L
IMBED RESET L	2-B3,L	2-C3,L 7-C4,R	RUN RELAY L	2-C2,R 11-B1,L	5-A7,R 5-B8,R 6-A5,R 6-B3,R	RUN SW L	1-B7,L 6-D7,R	SAMPLE L	2-C7,R 7-D2,L	TSB NATIVE 4 H	1-B2,R	3-A1,L	TSB NATIVE 5 H	1-B2,R	3-B1,L
INDEX DETECT L	2-C3,L 7-C4,R	7-B4,R	SAMPLE L	2-C7,R 7-D2,L	5-A7,R 5-B8,R 6-A5,R 6-B3,R	SANITY L	3-C8,R 5-A2,L	SECT CNT 00 H	6-D3,R 7-C7,L	TSB NATIVE 6 H	1-B2,R	3-B1,L	TSB NATIVE 7 H	1-B2,R	3-B1,L
INDEX FLT EN L	7-B4,R	1-B2,R 7-C1,L	SECT CNT 00 H	6-D3,R 7-C7,L	5-A7,R 5-B8,R 6-A5,R 6-B3,R	SECT CNT 01 H	6-D3,R 7-C7,L	SECT CNT 01 H	6-D3,R 7-C7,L	TSB NATIVE 00	2-C4,R		TSB SERV 00	2-C4,R	
INDEX PULSE H	1-B2,R 7-C1,L	7-C2,L 11-C8,R	SECT CNT 01 H	6-D3,R 7-C7,L	5-A7,R 5-B8,R 6-A5,R 6-B3,R	SECT CNT 02 H	6-D3,R 7-C7,L	SECT CNT 02 H	6-D3,R 7-C7,L	TSB SERV 01 H	2-C4,R		TSB SERV 01	2-C4,R	
INDEX PULSE L	7-C2,L 11-C8,R	5-B6,L	SECT CNT 02 H	6-D3,R 7-C7,L	5-A7,R 5-B8,R 6-A5,R 6-B3,R	SECT CNT 03 H	6-D3,R 7-C7,L	SECT CNT 03 H	6-D3,R 7-C7,L	TSB SERV 02	2-C4,R		TSB SERV 02 H	3-C1,L	
INDX FLT EN L	5-B6,L	1-B2,R 4-D4,L	SECT CNT 03 H	6-D3,R 7-C7,L	5-A7,R 5-B8,R 6-A5,R 6-B3,R	SECT CNT 04 H	6-D3,R 7-D7,L	SECT CNT 04 H	6-D3,R 7-D7,L	TSB SERV 03 H	2-C4,R		TSB SERV 03	2-C4,R	
INPUT CONTROL L	1-B2,R 4-D4,L	2-C7,R 7-D2,L	SECT CNT 04 H	6-D3,R 7-D7,L	5-A7,R 5-B8,R 6-A5,R 6-B3,R	SECT CNT 05 H	6-D3,R 7-D7,L	SECT CNT 05 H	6-D3,R 7-D7,L	TSB SERV 04	2-C4,R		TSB SERV 04 H	3-C1,L	
INT ENABLE L	2-C7,R 7-D2,L	2-C7,R 7-D2,L	SECT CNT 05 H	6-D3,R 7-D7,L	5-A7,R 5-B8,R 6-A5,R 6-B3,R	SECT CNT 06 H	6-D3,R 7-D7,L	SECT CNT 06 H	6-D3,R 7-D7,L	TSB SERV 05 H	2-C4,R		TSB SERV 05	2-C4,R	
INT RESET L	2-C7,R 7-D2,L	1-C1,L	SECT CNT 06 H	6-D3,R 7-D7,L	5-A7,R 5-B8,R 6-A5,R 6-B3,R	SECT CNT 07 H	6-D3,R 7-D7,L	SECT PRESET 00 H	6-D4,L 7-C8,R	TSB SERV 06	2-C4,R		TSB SERV 06 H	3-D1,L	
IRABI	1-C1,L	1-B8,R	SECT CNT 07 H	6-D3,R 7-D7,L	5-A7,R 5-B8,R 6-A5,R 6-B3,R	SECT PRESET 01 H	6-D4,L 7-C8,R	SECT PRESET 01 H	6-D4,L 7-C8,R	TSB SERV 07	2-C4,R		TSB SERV 07 H	3-D1,L	
LAMP TEST H	1-B8,R	6-D7,R 11-A7,L	SECT PRESET 01 H	6-D4,L 7-C8,R	5-A7,R 5-B8,R 6-A5,R 6-B3,R	SECT PRESET 02 H	6-D4,L 7-C8,R	SECT PRESET 02 H	6-D4,L 7-C8,R	UART BAUD CLK H	3-A8,R	12-C6,L	UART L	3-A8,R 5-B7,L 12-C5,R	
LATCHED DC LD H	6-D7,R 11-A7,L	5-C3,L 7-A5,R 7-B8,R	SECT PRESET 02 H	6-D4,L 7-C8,R	5-A7,R 5-B8,R 6-A5,R 6-B3,R	SECT PRESET 03 H	6-D4,L 7-C8,R	SECT PRESET 03 H	6-D4,L 7-C8,R						
LD BYTE L	5-C3,L 7-A5,R 7-B8,R	4-C2,L 11-C4,R	SECT PRESET 03 H	6-D4,L 7-C8,R	5-A7,R 5-B8,R 6-A5,R 6-B3,R	SECT PRESET 04 H	6-D4,L 7-D8,R	SECT PRESET 04 H	6-D4,L 7-D8,R						
LED OUT L	4-C2,L 11-C4,R	1-A8,R 5-B2,L													
LOAD LITE H	1-A8,R 5-B2,L	6-D2,L 12-C3,R													
LOOP UART L	6-D2,L 12-C3,R	2-C4,R 6-D7,R													
MASTER DATA RDY L	2-C4,R 6-D7,R	5-A7,R 9-C7,R 11-B1,L													
MP RD GAT L	5-A7,R 9-C7,R 11-B1,L	2-C6,L 6-C7,L													
MULTI CHIP DIAG L	2-C6,L 6-C7,L	2-C7,R 9-C6,R													
MULTI CHIP SEL L	2-C7,R 9-C6,R	1-B2,R 4-B5,L													
OUT D0 L	1-B2,R 4-B5,L	1-B2,R 4-B5,L													
OUT DC L	1-B2,R 4-B5,L	1-B7,L 5-D7,R													
OUT D0 L	1-B2,R 4-B5,L	1-B7,L 5-D7,R													
OUTBIT 0 H	1-B7,L 5-D7,R	1-B7,L 6-D7,R													
OUTBIT 1 H	1-B7,L 6-D7,R	1-B7,L 6-D7,R													
OUTBIT 2 H	1-B7,L 6-D7,R	14-A4,L 17-D7,R													
OUTBIT 3 H	1-B7,L 6-D7,R	14-A6,L 17-A8,R													
PD CLOCK H	14-A4,L 17-D7,R	3-A8,R 4-A6,L													
PD CLOCK L	14-A6,L 17-A8,R	3-A8,R 4-A6,L													
PERS CRD RD EN L	3-A8,R 4-A6,L	14-C2,L													
PERS CRD WT EN L	3-A8,R 4-A6,L	14-C2,L													
PHASE DET CLK H	14-C2,L	14-C2,L													
PHASE DET CLK L	14-C2,L														

THIS DRAWING AND SPECIFICATIONS ARE THE PROPERTY OF DIGITAL EQUIPMENT CORPORATION AND SHALL NOT BE REPRODUCED OR COPIED OR USED IN WHOLE OR IN PART OR THE BASIS FOR THE MANUFACTURE OR SALE OF ITEMS WITHOUT WRITTEN PERMISSION. COPYRIGHT © 1984-1985, DIGITAL EQUIPMENT CORPORATION.

REV.	NO.	DATE	DESCRIPTION
1	1	12-APR-85	ISSUE FOR ASSEMBLY

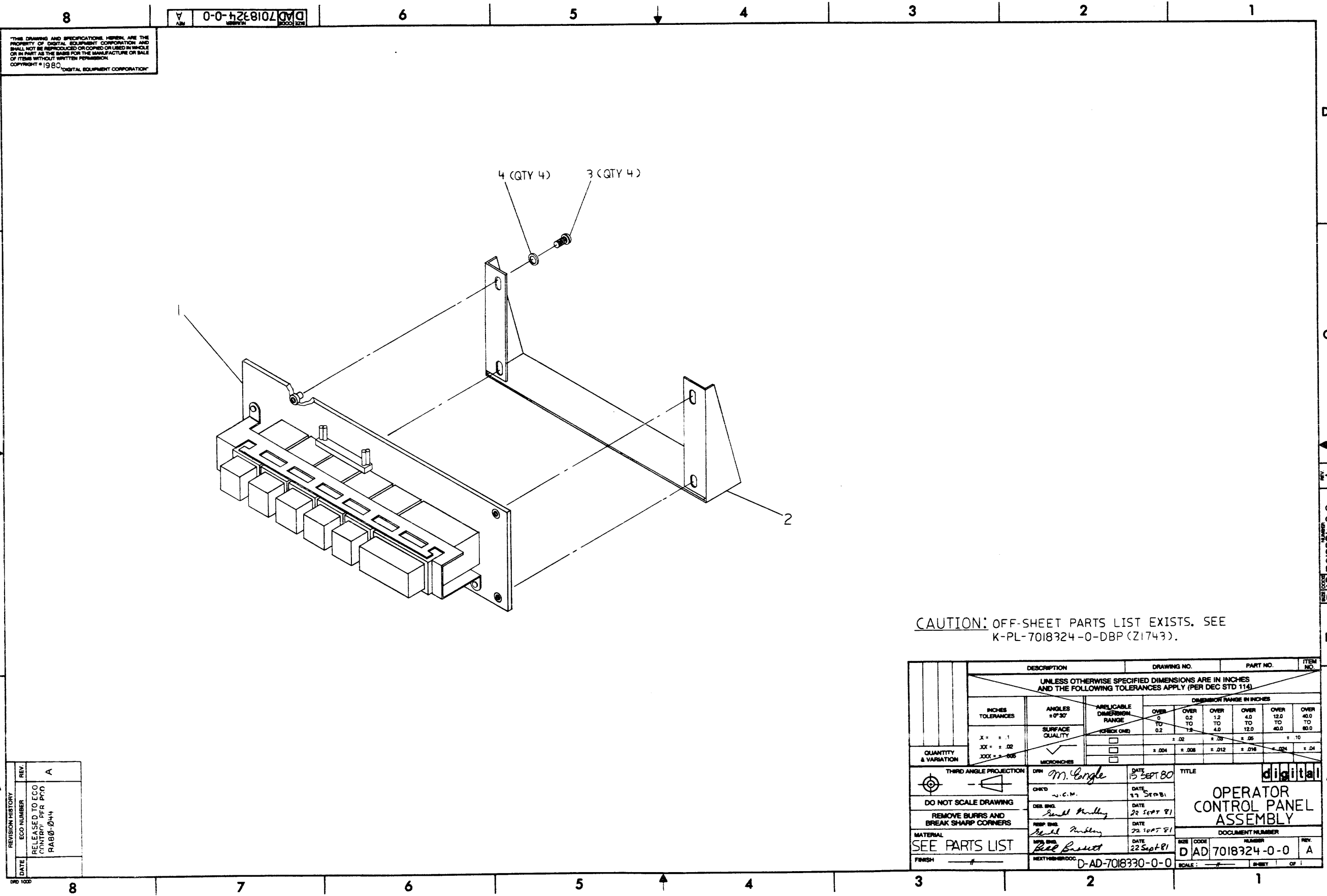
digital	DRN.	DATE	ENG.	DATE	TITLE:
	CHK'D.	DATE	BOARD LOCATION:	SHEET	MICROPROCESSOR
FIRST USED ON OPTION/MODEL:		NEXT HIGHER ASSEMBLY:		SIZE CODE	NUMBER
RAB1		B-DD-5415247-0-0		K CS	5415247-0-1
					REV. P

UNLOCK L	4-C4,R	5-C6,L
UP PROT L	5-B6,L	11-D5,R
WCO SUPPLY	19-A4,L	19-B1,L 19-B3,D
WG LEAD EDGE DLY H	9-C6,R	10-B2,L
WG LEAD EDGE DLY L	9-D6,R	10-B2,L
WG TRAIL EDGE DLY H	9-D6,R	10-B2,L
WR CURRNO WR GAT L	5-C2,R	9-D3,L
WR GATE L	2-D6,L	15-D2,L
WR GTMNO WR CUR L	5-C2,R	9-D3,L
WR H	3-A5,L	4-C8,R 8-C7,R
WR L	3-A6,L	5-A2,R 5-A7,R 5-B8,R 6-B3,R 6-B4,R
	6-B8,R	12-C5,R
WRWR PROT L	5-C2,R	9-D3,L
WRWR UNS L	5-C2,R	9-D3,L
WRITE CLOCK L	1-B4,L	15-C7,R
WRITE DATA L	1-B4,L	15-D7,R
WRITE GATE L	1-A4,L	11-A2,R
WRITE=OFF TRK L	5-C2,R	9-D3,L
WRT DIAG CONT L	4-B5,L	
WRT DIAG DATA L	1-B2,R	4-B5,L
WRT PORT LITE H	1-A8,R	
WRT PORT SW L	1-B7,L	6-D7,R
WRT PROT EN H	5-C6,L	11-D6,R
WRT PROT H	10-B6,R	11-D4,L
WRT PROT LITE H	5-B2,L	
WRT PROT SW L	11-D5,R	
WRT PROTECTED L	9-D6,R	11-D4,L
WRT SENSE L	2-C6,L	9-C8,R
WRT SIAG CONT L	1-B2,R	
WRT UNSAFE L	2-C6,L	9-D6,R
WRTMNO EMBED L	9-B2,L	
WRTMNO ENABLE L	5-C2,R	
WTBURST FLT L	5-D2,R	9-B2,L
WT1 H	5-A8,R	6-A6,L
WT2 H	4-A6,L	5-A8,R
WT4 H	5-A8,R	8-C7,L

THIS DRAWING AND SPECIFICATIONS
HEREIN ARE THE PROPERTY OF
DIGITAL EQUIPMENT CORPORATION AND
SHALL NOT BE REPRODUCED OR COPIED
OR USED IN WHOLE OR IN PART AS
THE BASIS FOR THE MANUFACTURE OR
SALE OF ITEMS WITHOUT WRITTEN
PERMISSION OF DIGITAL EQUIPMENT
CORPORATION.

REVISIONS	
CHK	CHANGE NO. REV

DRN.	DATE	ENG.	DATE	TITLE:
CHK'D.	DATE	APPROV. LOCATION:		
	25-APR-85 17:25	SIZE 26 OF 26		MICROPROCESSOR
	MODEL: RAB1	NEXT HIGHER ASSEMBLY:	SIZE CODE	NUMBER
		B-DD-5415242-0-2	K CS	5415242-0-1
			REV.	P



THIS DRAWING AND SPECIFICATIONS HEREIN ARE THE PROPERTY OF DIGITAL EQUIPMENT CORPORATION AND SHALL NOT BE REPRODUCED OR COPIED OR USED IN WHOLE OR IN PART AS THE BASIS FOR THE MANUFACTURE OR SALE OF ITEMS WITHOUT WRITTEN PERMISSION. COPYRIGHT © 1980 DIGITAL EQUIPMENT CORPORATION

AD 7018324-0-0

CAUTION: OFF-SHEET PARTS LIST EXISTS. SEE K-PL-7018324-0-DBP (Z1743).

DATE	ECO NUMBER	REV.
		A

RELEASED TO ECO
REVISIONS PER P10
RAB/044

DESCRIPTION	DRAWING NO.	PART NO.	ITEM NO.
UNLESS OTHERWISE SPECIFIED DIMENSIONS ARE IN INCHES AND THE FOLLOWING TOLERANCES APPLY (PER DEC STD 114)			
INCHES TOLERANCES	ANGLES ± 0°30'	DIMENSION RANGE IN INCHES	
X = ± .1	SURFACE QUALITY	OVER TO	OVER TO
XX = ± .02	✓	0 TO 0.2	0 TO 12.0
XXX = ± .005	MICRONCHES	0.2 TO 1.2	12.0 TO 40.0
		1.2 TO 4.0	40.0 TO 80.0
		4.0 TO 12.0	80.0 TO 120.0
		12.0 TO 40.0	120.0 TO 400.0
		40.0 TO 80.0	400.0 TO 800.0
QUANTITY & VARIATION		± .02	± .05
		± .004	± .008
		± .012	± .016
		± .024	± .04
THIRD ANGLE PROJECTION	DRN <i>m. Cagle</i>	DATE 15 SEPT 80	TITLE digital
DO NOT SCALE DRAWING	CHKD <i>w.c.m.</i>	DATE 17 SEPT 81	OPERATOR CONTROL PANEL ASSEMBLY
REMOVE BURRS AND BREAK SHARP CORNERS	DES. ENG. <i>Ronald Hurling</i>	DATE 22 SEPT 81	
SEE PARTS LIST	RESP. ENG. <i>Ronald Hurling</i>	DATE 22 SEPT 81	DOCUMENT NUMBER
FINISH	WPS. ENG. <i>Bill Bennett</i>	DATE 22 SEPT 81	D AD 7018324-0-0 A
	NEXT NUMBER DOC D-AD-7018330-0-0	SCALE	1 OF 1

AUTOMATED BY PRTLST.3P(44)

PARTS LIST

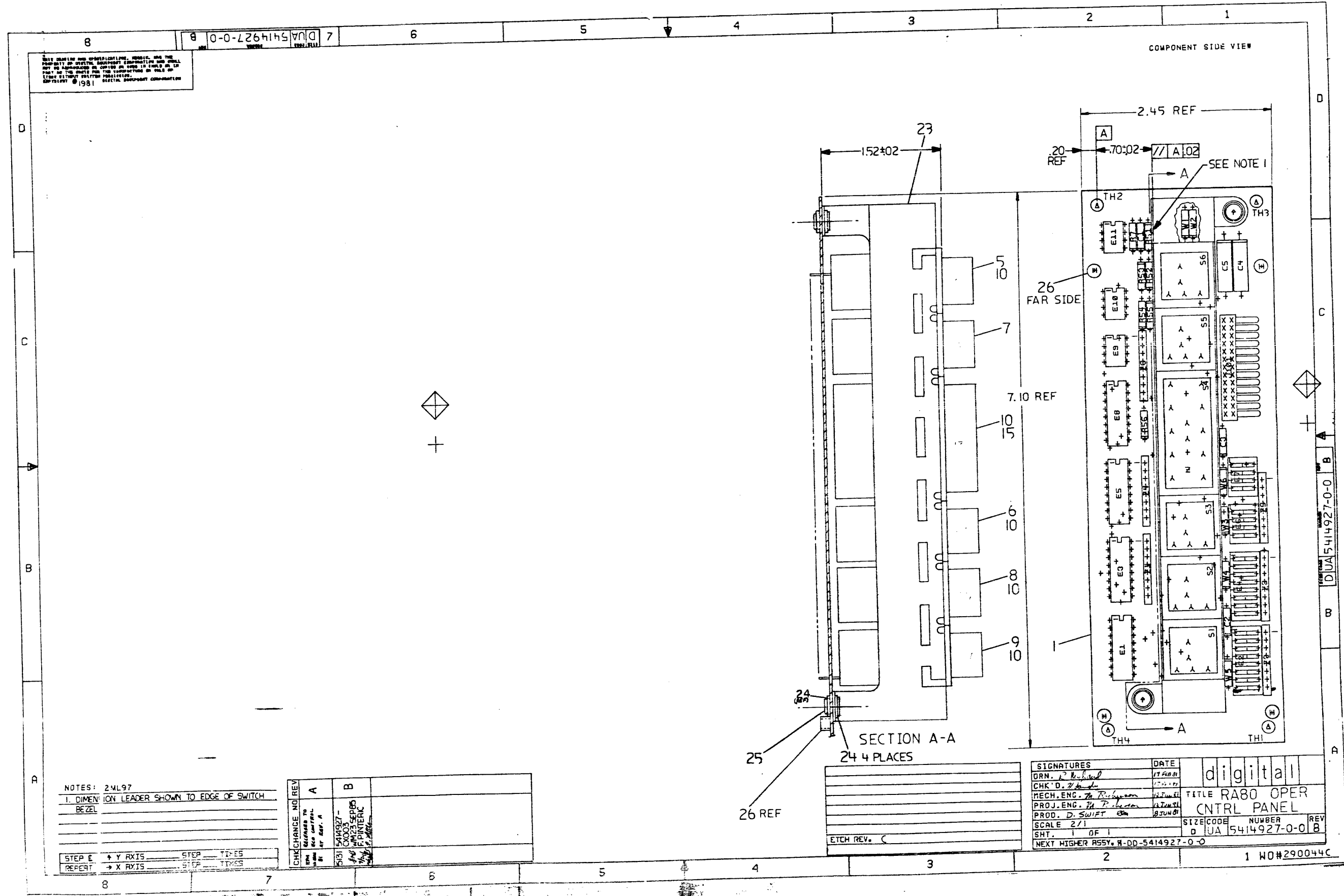
SHEET A1 OF A1

LINE ITEM	DOCUMENT NUMBER	PART NUMBER	DESCRIPTION	QUANTITY PER VARIATION
1		5414927-00	OPERATOR CONTROL PANEL	1
2	C-MD-7422814-0-0	7422814-00	BRKT, CONTROL PANEL	1
3		9009546-00	SCREW, PAN, PHIL, SEMS 4-40X .375L	4
4		9006655-00	WASHER, FLAT, .312 O.D. X .125 I	4

REVISION HISTORY			BASIC PART NO: 7018324	DRN: <i>D. Coffey</i>	DATE: 14 OCT 80	DIGITAL				
ENG	ECO NUMBER	REV	SECTION A OF A	CHK'D: <i>W. C. M.</i>	DATE: 22 SEP 81	TITLE		PARTS LIST		
	INITIAL	A	SECTION. VARIATION INDEX	<i>W. MAJOR</i>	DATE: 22 SEP 81	OPERATOR CONTROL PANEL ASSY				
			[A] 00	<i>G. Nordberg</i>	DATE: 22 SEP 81	DOCUMENT NUMBER				
			[B]	<i>G. Nordberg</i>	DATE: 22 SEP 81	SIZE	CODE	NUMBER	REV	
			[C]	<i>B. Bassett</i>	DATE: 22 SEP 81	K	PL	7018324-0-DBP	A	
			[D]	<i>B. Bassett</i>	DATE: 22 SEP 81	TOP DOCUMENT NUMBER:		FILE NAME:	EDIT #	
			[E]	<i>B. Bassett</i>	DATE: 22 SEP 81			Z1743A.PLS	6	
			[F]							

*THIS DRAWING AND SPECIFICATIONS HEREIN, ARE THE PROPERTY OF DIGITAL EQUIPMENT CORPORATION AND SHALL NOT BE REPRODUCED OR COPIED OR USED IN WHOLE OR IN PART AS THE BASIS FOR THE MANUFACTURE OR SALE OF ITEMS WITHOUT WRITTEN PERMISSION. COPYRIGHT (C) 1981, DIGITAL EQUIPMENT CORPORATION *

THIS DRAWING AND SPECIFICATIONS, HEREIN, AND THE
 POSSIBILITY OF OTHER EQUIPMENT ELECTRICAL AND MECH.
 PARTS BE MANUFACTURED OR USED IN PART OR IN
 FULL BY THE UNITED STATES GOVERNMENT OR BY
 OTHERS WITHOUT VIOLATION OF PATENTS.
 COPYRIGHT © 1981 DIGITAL EQUIPMENT CORPORATION



NOTES: 24L97
 1. DIMENSION LEADER SHOWN TO EDGE OF SWITCH
 BEZEL

STEP E	→ Y AXIS	STEP	T1-E5
REPEAT	→ X AXIS	STEP	TIMES

CHANGE NO	REV	A	B
5131	5414927-		
	COO3		
	23 SEP 85		
	F. PINTERIC		

ETCH REV.	C
-----------	---

SIGNATURES	DATE	digital
DRN. <i>P. Richard</i>	17 FEB 81	
CHK'D. <i>P. Richard</i>	17 FEB 81	
MECH. ENG. <i>P. Richardson</i>	17 FEB 81	TITLE RA80 OPER
PROJ. ENG. <i>P. Richardson</i>	17 FEB 81	CNTRL PANEL
PROD. D. SWIFT	03M	SIZE CODE NUMBER
SCALE 2/1		DUA 5414927-0-0 B
SHT. 1 OF 1		REV
NEXT HIGHER ASSY. H-DD-5414927-0-0		1 W0#290044C

DUA-5414927-0-0

AUTOMATED BY PRTLST.3P(44)

PARTS LIST

LINE ITEM TOP DOCUMENT

PART NUMBER

MIN REV

DESCRIPTION VARIATION REVISION LEVEL:

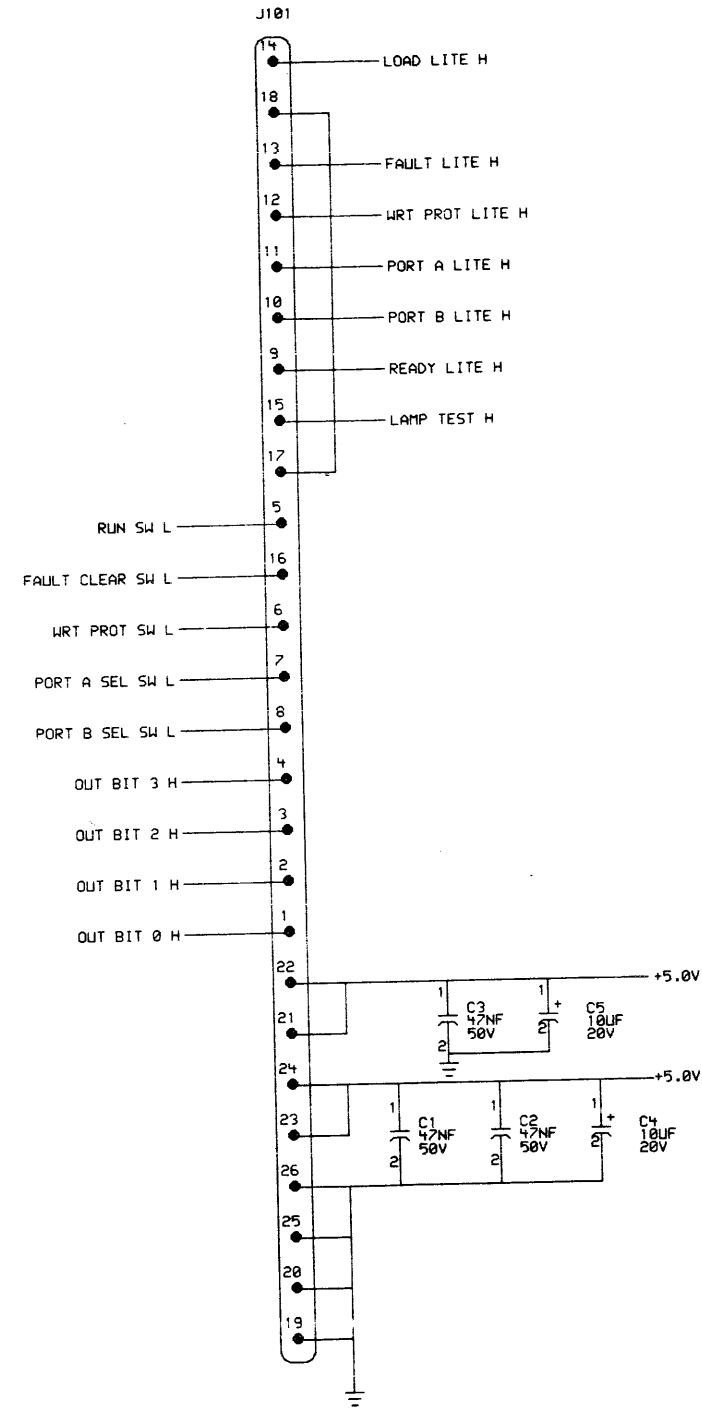
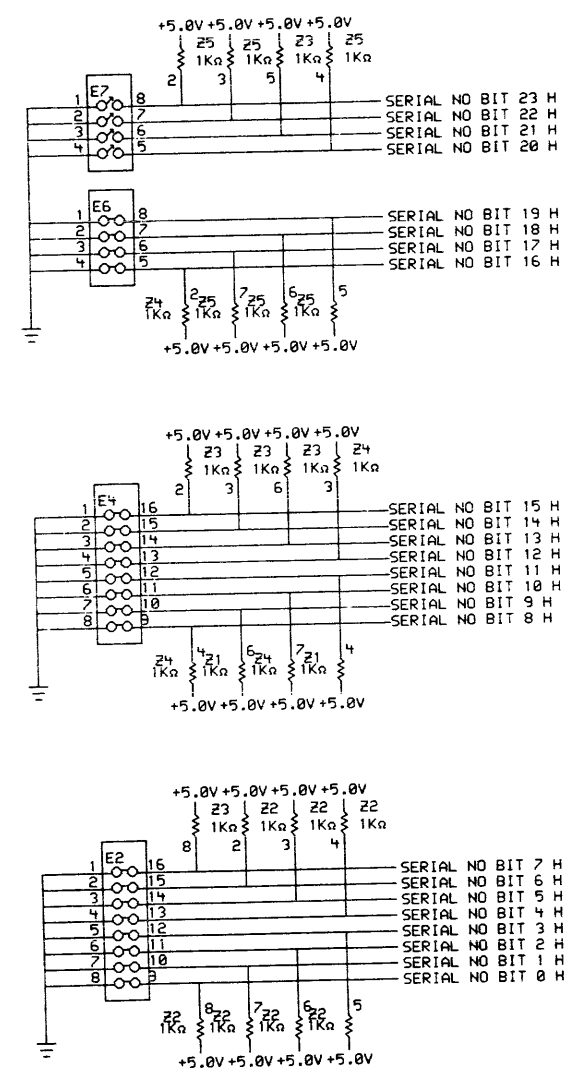
QTY PER VARIATION
00
B1

REFERENCE DESIGNATOR

1	1	D-MD-5014926-0-0	5014926-00		DRILL & ETCH BOARD	1	C4,C5
2	2		1004813-00		10 MFD 20V 10% S.TANT	2	C1,C2,C3
3	3		1012784-00		.047 MFD 50V +80-20% CER	3	E7
4	4		1211164-00		SW,DIP 4PDS/1PST 5VDC100MA F	1	X6
5	5		1212714-00		CAP,PB SW YELLO/BLK *RUN ST	1	X3
6	6		1212714-01		CAP,PB SW YELLO/BLK *WRITE	1	X5
7	7		1212714-02		CAP,PB SW RED/BLK *FAULT*	1	X2
8	8		1212714-03		CAP,PB SW WHITE/BLK *A*	1	X1
9	9		1212714-04		CAP,PB SW WHITE/BLK *B*	1	I1,I2,I3,I4,I6
10	10		1212716-00		LAMP,WEDGE,6.3V,.2A,.4MSP,T1-3/	5	S1,S2,S3,S6
11	11		1212717-01		SW,PB 1PDT ALT 2A	4	S5
12	12		1212717-12		SW,PB,LT 1PDT MOM	1	J101
13	13		1212965-03		PCB,HEADER 26PIN(2X13).100CC 90D	1	S4
14	14		1218198-00		SW,ENCODER 256 CODES 10M	1	X4
15	15		1218199-01		/REPLACED BY 12-18199-00	1	E2,E4
16	16		1218231-07		SHUNT,DIP 8PDS	2	E6
17	17		1218231-03		SHUNT,DIP 4PDS	1	R7
18	18		1300229-00		100.0 .25 W 5.0 % CF	1	R51,R52,R53,R54,R55,R56
19	19		1300365-00		1.0 K .25 W 5.0 % CF	6	Z1,Z2,Z3,Z4,Z5,Z6
20	20		1316254-02		R NETWORK 7-1.0K 2.0 % 8PIN	6	E1,E3,E5,E8
21	21		1912844-00		LS151 MUX 1 OF 8 & DATA	4	E9,E10,E11
22	22		1914432-00		75454 DRIVER,PERIPH,DUAL,	3	
23	23	D-MD-7425953-0-0	7425953-01		BRACKET,SWITCH RETAINER	1	
24	24		9006655-00		WASHER,FLAT SST	4	
25	25		9006732-00		EYELET,ROLLED 0.1210DX0.219	2	
26	26		9009113-01		STANDOFF,PC BOARD MOUNTED 4-40	4	
27	27		9009185-00		JUMPER, WIRE, INSULATED, BLACK B	6	W1,W2,W3,W4,W5,W6

REVISION HISTORY		BASIC PART NO: 5414927		DRN:	S. BOURBEAU	DATE: 19-JAN-81	D I G I T A L		
ENG:	ECD NUMBER	REV	SECTION A OF A	CHK'D:	R. MICHAUD	DATE: 19-JAN-81	TITLE PARTS LIST OPERATOR CONTROL PANEL		
	INITIAL	A	SECTION VARIATION INDEX	DES.ENG:	W. SERGEANT	DATE: 19-JAN-81	DOCUMENT NUMBER		
	GF 5414927-CX001	B	[A] 00				SIZE	CODE	NUMBER
	FP 5414927-CX003	C	[B]	RESP.ENG.:	M. RICHISSON	DATE: 19-JAN-81	K	PL	5414927-0-DBP
			[C]	MFG.ENG.:	D. SWIFT	DATE: 19-JAN-81	RELEASE DATE: 24-SEP-85		
			[D]	ASSEMBLY NUMBER:		TOP DOCUMENT NUMBER:	FILE NAME:		EDIT #
			[E]	D-UA-5414927-0-0		K-DD-5414927-0-0	Z1541C.PLS		12
			[F]						
			[G]						
			[H]						
			[I]						
			[J]						
			[K]						
			[L]						
			[M]						
			[N]						

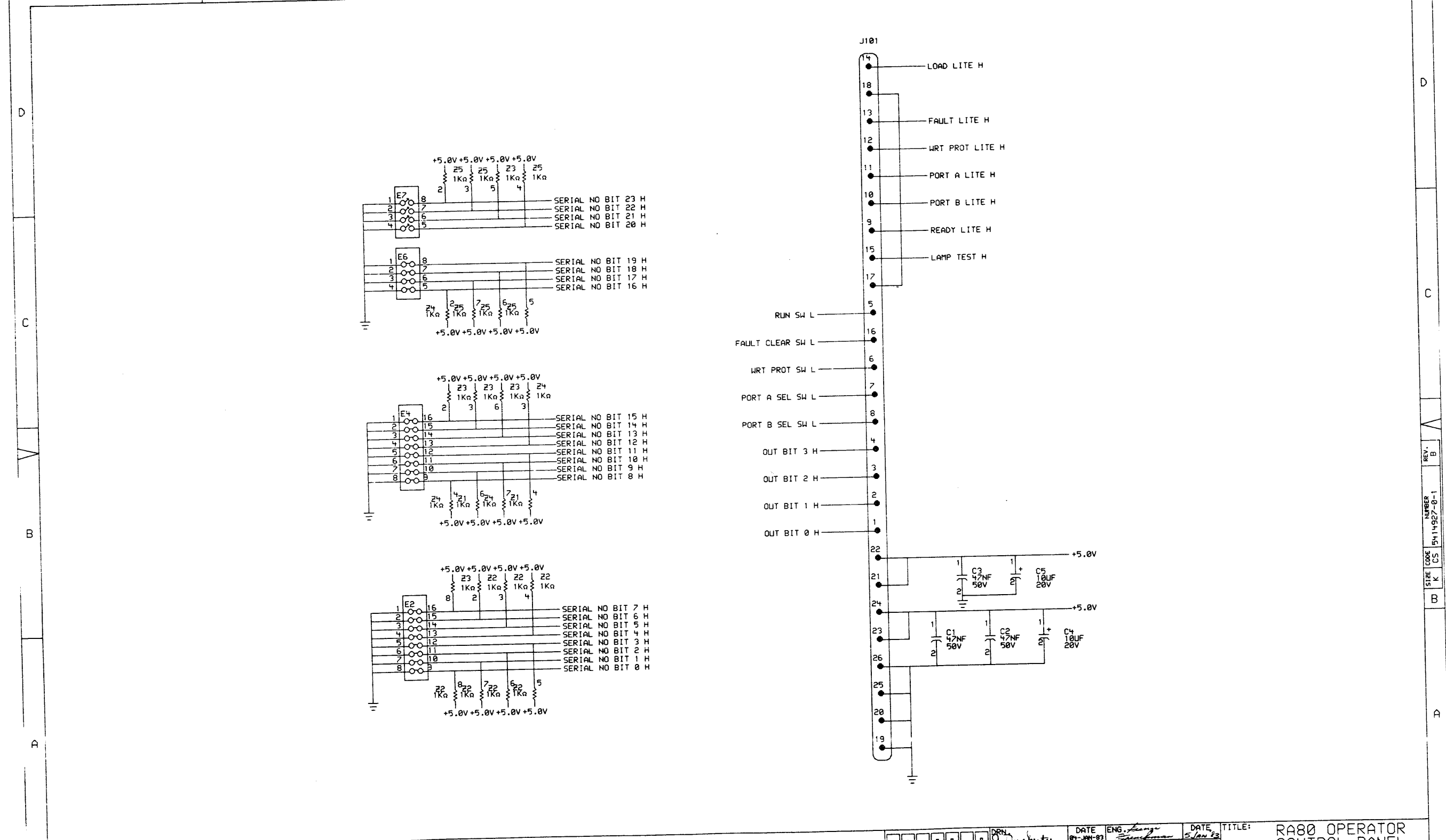
"THIS DRAWING AND THE SPECIFICATIONS CONTAINED HEREIN ARE CONFIDENTIAL AND PROPRIETARY. THEY ARE THE PROPERTY OF DIGITAL EQUIPMENT CORPORATION AND SHALL NOT BE REPRODUCED OR COPIED OR USED IN WHOLE OR IN PART AS THE BASIS FOR THE MANUFACTURE OR SALE OF ITEMS WITHOUT WRITTEN PERMISSION. THIS IS AN UNPUBLISHED WORK PROTECTED UNDER THE FEDERAL COPYRIGHT LAWS."



THIS DRAWING AND SPECIFICATIONS ARE THE PROPERTY OF DIGITAL EQUIPMENT CORPORATION AND SHALL NOT BE REPRODUCED OR COPIED OR USED IN WHOLE OR IN PART AS THE BASIS FOR THE MANUFACTURE OR SALE OF ITEMS WITHOUT WRITTEN PERMISSION. COPYRIGHT © 1983 DIGITAL EQUIPMENT CORPORATION.

REVISIONS	
CHK	CHANGE NO. REV
C.V.J.	2-15-83 1 B
J.L.	7-12-83 2 B

digital	DRN	DATE	ENG.	DATE	TITLE:
	OK'D.	01-JAN-83	5 Jan 83		R80 OPERATOR CONTROL PANEL
PS: <DOUGHERTY>OCP01.DRW 104-JAN-83 14:03		DATE	BOARD LOCATION:	SHEET	OF
FIRST USED ON OPTION/MODEL:			B-DD-5414927-0	1	2
SIZE	CODE	NUMBER	REV.		
K	CS	5414927-0-1	B		



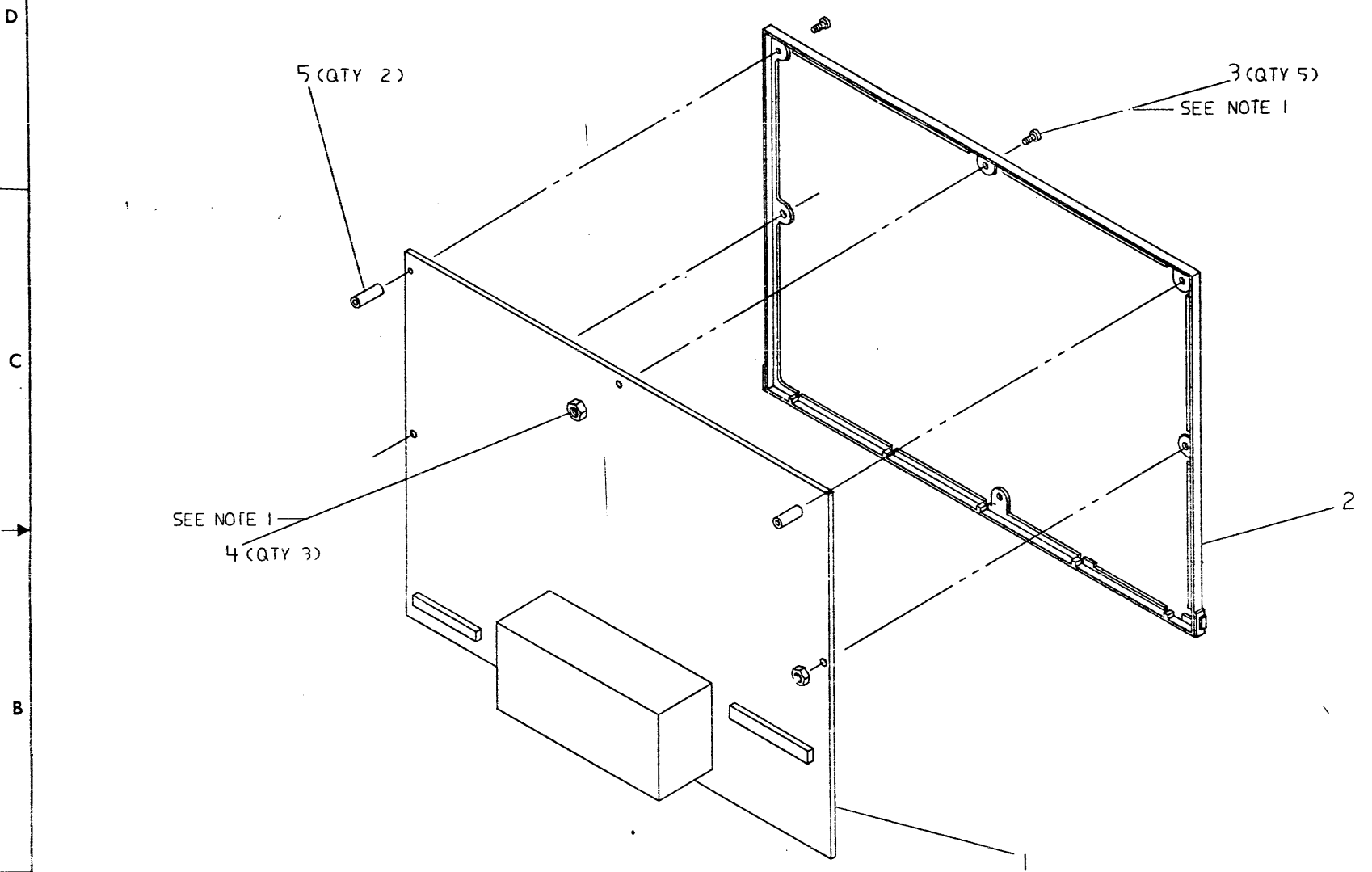
8 7 6 5 4 3 2 1

THIS DRAWING AND SPECIFICATIONS HEREBY ARE THE PROPERTY OF DIGITAL EQUIPMENT CORPORATION AND SHALL NOT BE REPRODUCED OR COPIED OR USED IN WHOLE OR IN PART AS THE BASIS FOR THE MANUFACTURE OR SALE OF ITEMS WITHOUT WRITTEN PERMISSION.
 COPYRIGHT © 1981 DIGITAL EQUIPMENT CORPORATION

D AD 7019045-0-0

LEGEND	
PART NO.	VARIATION
7019045-01	SERVO BOARD AND STIFFENER ASSEMBLY

NOTES:
 1. APPLY (ITEM 6) TO ITEMS 3 & 4 AFTER ASSEMBLY.



CAUTION: OFF SHEET PARTS LIST EXISTS. SEE K-PL-7019045-0-DBP (Z2915).
 TOP DOC: C-AD-7019044-0-0

DATE	REV	DESCRIPTION
1987	A	7019045-CX001
APR 29 1983	B	APR 29 1983
JUN 15 1983	C	JUN 15 1983
NOV 7 1984		NOV 7 1984

DESCRIPTION	DRAWING NO.	PART NO.	ITEM NO.				
UNLESS OTHERWISE SPECIFIED DIMENSIONS ARE IN INCHES AND THE FOLLOWING TOLERANCES APPLY (PER DEC STD 114)							
INCHES TOLERANCES	ANGLES ± 0°30'	APPLICABLE DIMENSION RANGE					
		OVER TO	OVER TO	OVER TO	OVER TO	OVER TO	OVER TO
X = ± .1	SURFACE QUALITY	0.2	1.2	4.0	12.0	40.0	40.0
XX = ± .02		0.2	1.2	4.0	12.0	40.0	40.0
XXX = ± .005		0.2	1.2	4.0	12.0	40.0	40.0
QUANTITY & VARIATION	MICROINCHES	± .004	± .008	± .012	± .016	± .024	± .04
THIRD ANGLE PROJECTION	DATE	TITLE					
DO NOT SCALE DRAWING	DATE	SERVO BD AND STIFFENER ASSEMBLY					
REMOVE BURRS AND BREAK SHARP CORNERS	DATE	DOCUMENT NUMBER					
MATERIAL	DATE	D AD 7019045-0-0 C					
FINISH	DATE	SCALE 1/2 SHEET 1 OF 1					

DRAWING NUMBER

DRAWING NUMBER

D AD 7019045-0-0
 D-AD-7019045-0-0

DRAWING NUMBER

AUTOMATED BY PRTLST.3P(44)

PARTS LIST

SHEET A1 OF A1

LINE ITEM	TOP DOCUMENT	PART NUMBER	MIN REV	DESCRIPTION	QTY PER VARIATION
1	D-UA-5415251-0-0	5415251-00		R81 SERVO MODULE	1
2	E-MD-7421976-0-0	7421976-01	A	TRAY, EXTENDED HEX SUPPORT	1
3		9008212-00		SCREW, NYLN PAN SLOT	5
4		9007883-00		NUT, HEX 6-32X .307AF NYLO	3
5		9000035-04		SPACER, THREADED RND PHEN 6-3	2
6		9009536-00	-	GLYPTOL, RED	A/R

REVISION HISTORY			BASIC PART NO: 7019045			D I G I T A L			
ENG	ECO NUMBER	REV	SECTION A OF A	DRN:	T. FALETTE	DATE:	30-MAR-82	TITLE	PARTS LIST
FB	RA81-109	A	SECTION VARIATION INDEX	CHK'D:	K. DAVIS	DATE:	8-APR-82	SERVO BD AND	STIFFENER ASSEMBLY
JN	7019045-CX001	B	[AJ01	DES. ENG:	F. BERNETT	DATE:	8-APR-82	DOCUMENT NUMBER	
MM	7019062-CX010	C	[B]	RESP. ENG.:	F. BERNETT	DATE:	8-APR-82	SIZE	CODE NUMBER
			[C]	MFG. ENG.:	B. BARTON	DATE:	8-APR-82	K	PL
			[D]	ASSEMBLY NUMBER:	D-AD-7019045-0-0	TOP DOCUMENT NUMBER:	C-AD-7019044-0-0	FILE NAME:	Z2915C.PLS
			[E]			RELEASE DATE:	26-NOV-84	EDIT #	24
			[F]						

Handwritten notes:
 26 Nov 84
 26 Dec 84
 26 Jan 85

"THIS DRAWING AND THE SPECIFICATIONS CONTAINED HEREIN ARE CONFIDENTIAL AND PROPRIETARY. THEY ARE THE PROPERTY OF DIGITAL EQUIPMENT CORPORATION AND SHALL NOT BE REPRODUCED OR COPIED OR USED IN WHOLE OR IN PART AS THE BASIS FOR THE MANUFACTURE OR SALE OF ITEMS WITHOUT WRITTEN PERMISSION. THIS IS AN UNPUBLISHED WORK PROTECTED UNDER THE FEDERAL COPYRIGHT LAWS."

THIS DRAWING AND SPECIFICATIONS HEREIN ARE THE PROPERTY OF DIGITAL EQUIPMENT CORPORATION AND SHALL NOT BE REPRODUCED OR COPIED OR USED IN WHOLE OR IN PART AS THE BASIS FOR THE MANUFACTURE OR SALE OF ITEMS WITHOUT WRITTEN PERMISSION. COPYRIGHT © 1977 DIGITAL EQUIPMENT CORPORATION

SEE DETAIL "A" SHEET 2

SEE DETAIL "C" SHEET 2

SEE DETAIL "D" 2 PLACES SHEET 2

SEE DETAIL "B" 2 PLACES SHEET 2

NOTES: 1. THE FOLLOWING ARE SPACES: E1, E2, E63, E73, E81, E84, E92, E95, E97, E98, E123, E5-LR, Q3, C22, C50, C51, C87, C88, C94, C97, C101, C103, C110, C137, C145, C146, C159, C160, C167, C212, C215, C219, C221, C223, C224, C234, C235, C238, C239, C241, C244, C245, C247, C249, C251, C253, C258, C264, C278, C285, C286, C29C, R52, R148, R168, R203, R604-R611, W25, W35, W45, W50, W52, W61, W67, W70-W72, W76, W80C, W80I.

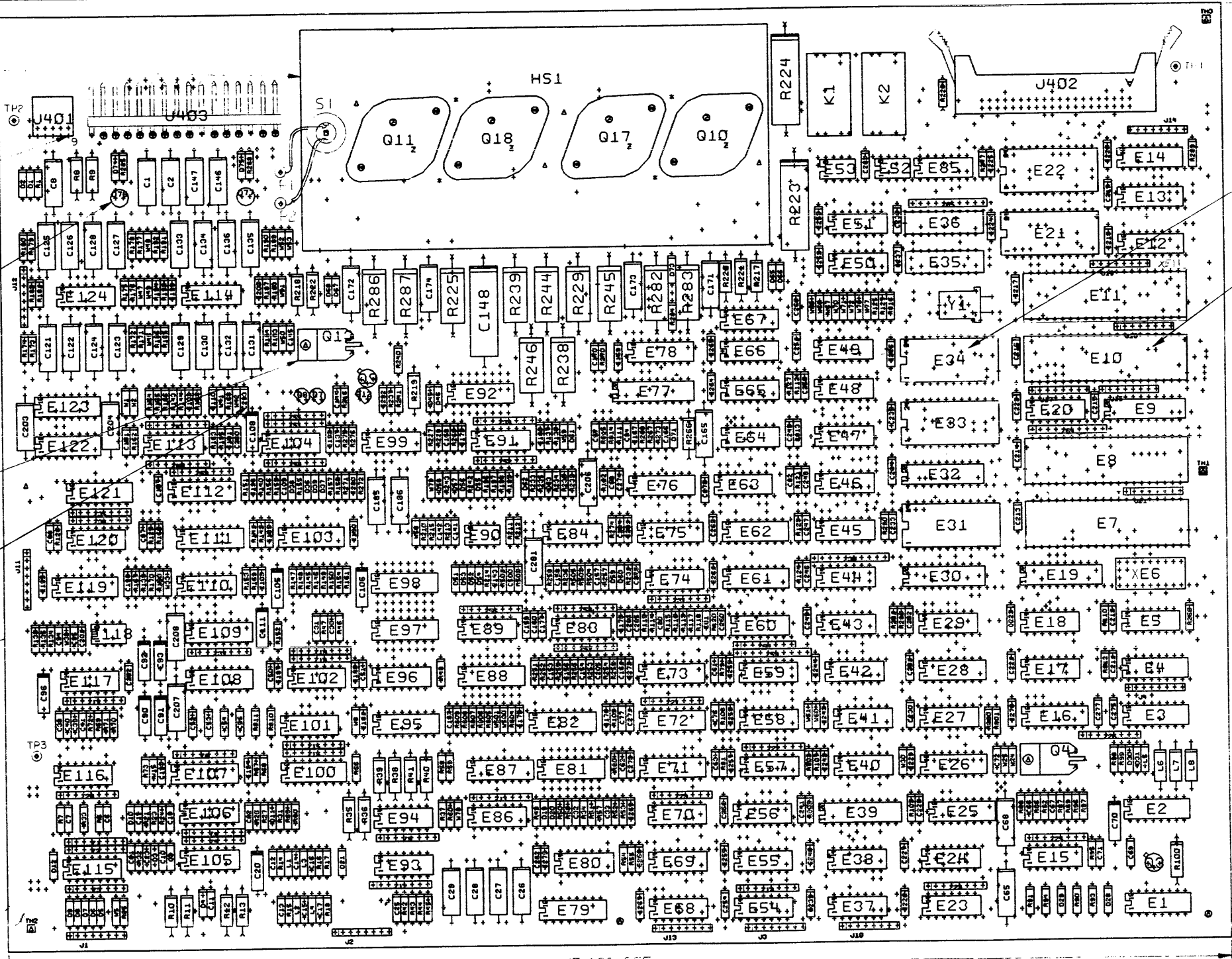
2. THE FOLLOWING ARE WIRED SPACES: E19, E30, R29, R30, R31.

3. J1-J4, J10-J18, J21 NOT INSTALLED

4. XE6 NOT INSTALLED

STEP	E	Y	AXIS	STEP	TIMES
REPEAT	X	AXIS	STEP	TIMES	

CHK	CHANGE NO	REV	H	J	K	L	M	N
1961	ECO 5415251-		J.H. MARTEL					
1961	ECO 5415251-		J.H. MARTEL					
1961	ECO 5415251-		J.H. MARTEL					
1961	ECO 5415251-		J.H. MARTEL					
1961	ECO 5415251-		J.H. MARTEL					
1961	ECO 5415251-		J.H. MARTEL					
1961	ECO 5415251-		J.H. MARTEL					
1961	ECO 5415251-		J.H. MARTEL					
1961	ECO 5415251-		J.H. MARTEL					
1961	ECO 5415251-		J.H. MARTEL					



COMPONENT SIDE VIEW

FRM. M. LEGEND

FRM. #	LOCATION	PART NUMBER
0	E10	23-091B9-00
1	F9	23-069B9-00
2	E34	23-060E3-00
3	E33	23-036E3-00

5. TORQUE TO 2.7 +/- .4 IN. LBS.

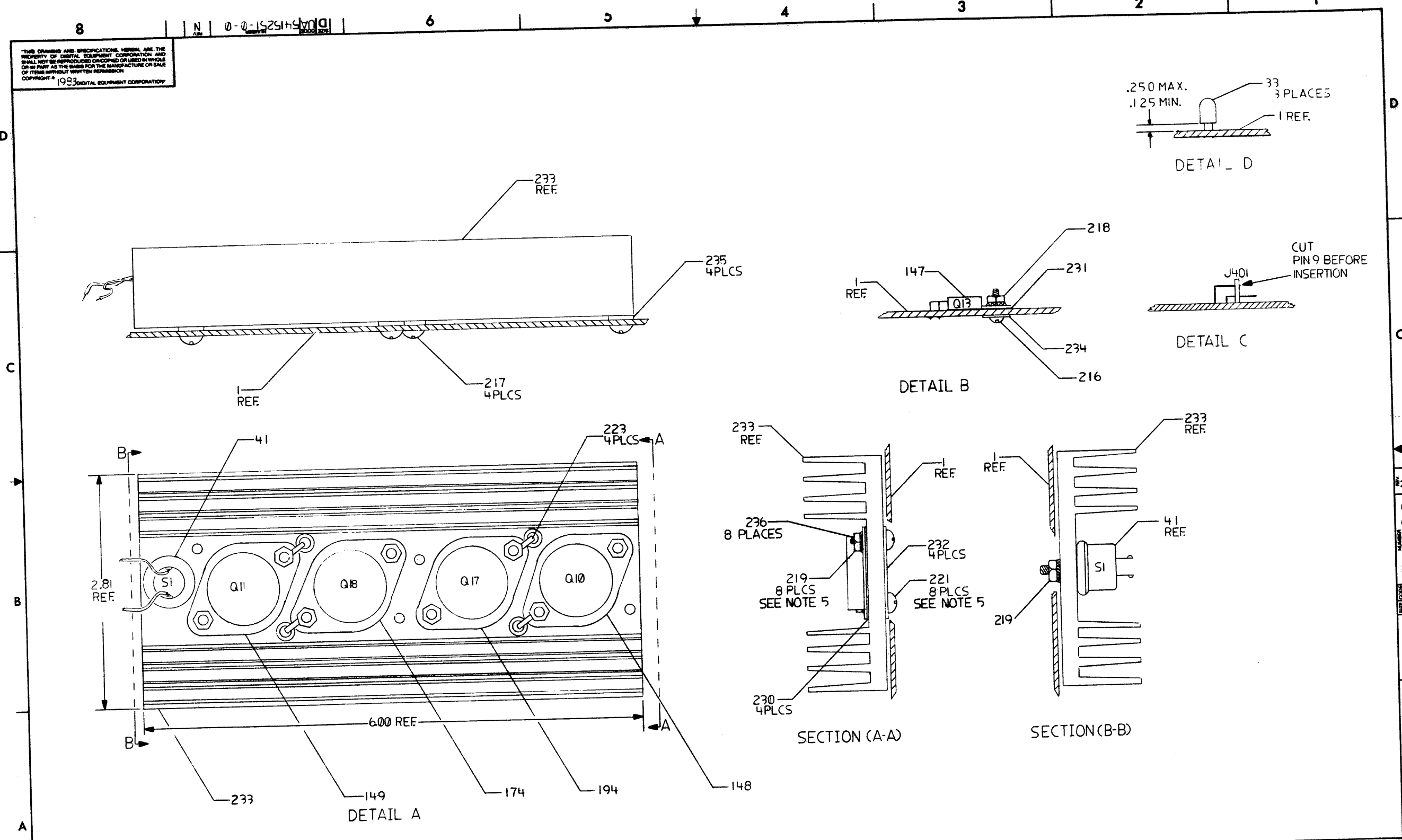
ETCH REV. C-P2

SIGNATURES		DATE
DRN.		25 JUN 85
CHK'D		
MECH. ENG.		
PROJ. ENG.		
PROD.		
SCALE 1.5/1		
SHT. 1 OF 3		
NEXT HIGHER ASSY. B-30-5415251-3-0		

digital		
SERVO CONTROL		
SIZE CODE	NUMBER	REV
D 03	5415251-	N

1 MS#23-78C

THIS DRAWING AND SPECIFICATIONS HEREBY ARE THE PROPERTY OF DIGITAL EQUIPMENT CORPORATION AND SHALL NOT BE REPRODUCED OR COPIED OR USED IN WHOLE OR IN PART AS THE BASIS FOR THE MANUFACTURE OR SALE OF ITEMS WITHOUT WRITTEN PERMISSION.
 COPYRIGHT © 1983 DIGITAL EQUIPMENT CORPORATION



REVISION HISTORY		
DATE	ECO NUMBER	REV.

TITLE
SERVO CONTROL

DOCUMENT NUMBER		
SIZE	CODE	NUMBER
D	UA	5415251-0-0
SCALE 2/1		SHEET 2 OF 3

5415251-0-0
 DUA
 N

8 7 6 5 4 3 2 1

N 0-0-15251-0-C 2

"THIS DRAWING AND SPECIFICATIONS, HEREIN, ARE THE PROPERTY OF DIGITAL EQUIPMENT CORPORATION AND SHALL NOT BE REPRODUCED OR COPIED OR USED IN WHOLE OR IN PART AS THE BASIS FOR THE MANUFACTURE OR SALE OF ITEMS WITHOUT WRITTEN PERMISSION. COPYRIGHT © 1984 DIGITAL EQUIPMENT CORPORATION"

D
C
B
A

D
C
B
A

ECO 5415251-CX010

COMPONENT DELETES:SIDE 1

- 10-1. DELETE E34 E3-03 (23035E3-00).
- 10-2. DELETE E10 B9-02 (23086B9-00).

COMPONENT ADDS:SIDE 1

- 10-3. ADD E34 E3-03 (23060E3-00).
- 10-4. ADD E10 B9-02 (23091B9-00).

MARK MODULE

- 10-5. AFTER ALL REWORK HAS BEEN COMPLETED MARK MODULE PART REV K1.

ECO 5415251-CX012

COMPONENT ADDS:SIDE 1

- 12-1. ADD C293 100.0 MMF 50V 5% CER (1013466-06).
- 12-2. AFTER ALL REWORK HAS BEEN COMPLETED MARK MODULE REV L1.

REVISIONS		
CHK	CHANGE NO	REV.

TITLE	SHEET	OF	DIST.	REV.
SERVO CONTROL	3	3		N

8 7 6 5 4 3 2 1

DUA5415251-0-C N

AUTOMATED BY VAXKPL (V1.1)

PARTS LIST

SHEET A1 OF A6

LINE ITEM	TOP DOCUMENT	PART NUMBER	MIN REV	DESCRIPTION	QTY	PER VAR/REV	REFERENCE DESIGNATORS
1	1 K-DD-5015250-0-0	50-15250-00	C	DRILL & ETCH CUT BRD.	1		
2	2	10-00037-00	.22	MFD 100V 10% MYLR	1		C148
3	3	10-01610-00	.01	MFD 50V +80-20% Z5U CER	51		C18,C66,C67,C166,C169, CONT C177-C180,C187,C188,C201,C202, CONT C213,C214,C216,C217,C220,C222, CONT C226-C232,C240,C243,C246,C248, CONT C250,C252,C254-C257,C259,C261, CONT C262,C266-C268,C270-C274,C276, CONT C279,C282,C291
4	4	10-05965-00	.47	MFD 35V 10% S.TANT	2		C20,C70
5	5	10-09312-00	.0047	MFD 100V 1% MYLR	16		C121-C136
6	6	10-12784-00	.047	MFD 50V +80-20% CER	36		C10,C11,C23,C72,C77,C153,C156, CONT C175,C176,C181,C182,C189-C200, CONT C211,C218,C225,C233,C236,C237, CONT C242,C260,C265,C269,C275,C277, CONT C283
7	7	10-13466-01		10.0 MMF 50V 5% CER	8		C80-C82,C154,C157,C158,C205, CONT C500
8	8	10-13466-06		100.0 MMF 50V 5% CER	5		C16,C17,C62,C63,C293
9	9	10-13466-07		220.0 MMF 50V 5% CER	2		C30,C31
10	10	10-13466-08		680.0 MMF 50V 10% X7R CER	1		C71
11	11	10-13466-12		2200.0 MMF 50V 10% X7R CER	2		C76,C142
12	12	10-13466-14		82.0 MMF 50V 5% CER	2		C14,C15
13	13	10-13466-16	.010	MFD 50V 10% X7R CER	4		C9,C21,C25,C69
14	14	10-13466-17		150.0 MMF 50V 5% CER	1		C95
15	15	10-13466-23		22.0 MMF 50V 5% CER	2		C33,C141
16	16	10-13466-24		47.0 MMF 50V 5% CER	5		C38-C41,C109
17	17	10-13466-26		120.0 MMF 50V 5% CER	2		C170,C294
18	18	10-13466-28		1000.0 MMF 50V 5% CER	4		C6,C7,C61,C83
19	19	10-13466-29		1500.0 MMF 50V 5% CER	4		C12,C13,C280,C292
20	20	10-13466-42		4700.0 MMF 50V 2% NPO CER	7		C90-C93,C96,C105,C111
21	21	10-13466-45		220.0 MMF 1 50V 1% NPO CER	4		C52-C55

REVISION HISTORY			KPL MODULE FORMAT SECTION A OF A		DRN: S LEHMAN	DIGITAL		
ENG	ECO NUMBER	REV	SECTION/VARIATION INDEX		DATE: 16-FEB-83	TITLE PARTS LIST		
JL	5415251-CX007	J	[A]	00 [M]	CHK'D: SUE BOURBEAU	SERVO CONTROL		
JL	5415251-CX009	K	[B]	[N]	DATE: 16-FEB-83	DOCUMENT NUMBER		
JL	5415251-CX010	L	[C]	[P]	DES.ENG: MARY DUNN	SIZE	CODE	NUMBER
JL	5415251-CX011	M	[D]	[Q]	DATE: 16-FEB-83	K	PL	5415251-0-DBP
JL	5415251-CX012	N	[E]	[R]	RESP.ENG.: GARY HART	RELEASE DATE: 12-MAR-86		
ML	5415251-CX013	P	[F]	[S]	DATE: 16-FEB-83	RELEASE STATUS: RELEASED		
JL	5415251-CX014	R	[H]	[T]	MFG.ENG: BRUCE BARTON			
GM	5415251-CX015	S	[J]	[V]	DATE: 16-FEB-83			
PR	5415251-CX017	T	[K]	[W]				
			[L]	[Y]				
			BASIC PART NUMBER:	ASSEMBLY NUMBER:	TOP DOCUMENT NUMBER:	FILE NAME:	EDIT #	
			5415251	D-UA-5415251-0-0	K-DD-5415251-0-0	Z1762T.PLS	4	

"THIS DRAWING AND THE SPECIFICATIONS CONTAINED HEREIN ARE CONFIDENTIAL AND PROPRIETARY. THEY ARE THE PROPERTY OF DIGITAL EQUIPMENT CORPORATION AND SHALL NOT BE REPRODUCED OR COPIED OR USED IN WHOLE OR IN PART AS THE BASIS FOR THE MANUFACTURE OR SALE OF ITEMS WITHOUT WRITTEN PERMISSION. THIS IS AN UNPUBLISHED WORK PROTECTED UNDER THE FEDERAL COPYRIGHT LAWS."

LINE	ITEM	TOP DOCUMENT	PART NUMBER	MIN REV	DESCRIPTION	QTY	PER VAR/REV	REFERENCE DESIGNATORS
22	22		10-13466-48	.12	MFD 50V 5% X7R CER	2		C106,C108
23	23		10-15573-00	.027	MFD 50V 5% CER	3		C19,C84,C161
24	24		10-15573-01	5600.0	MMF 50V 5% CER	4		C32,C102,C143,C168
25	25		10-17472-00	10	MFD 35V +75-10% AL EL	24		C1,C2,C8,C26-C29,C65,C68,C146, CONT C147,C165,C171-C174,C185,C186, CONT C203,C204,C206-C208,C281
26	26		11-00122-00	VZ= 3.9	5% 400 MW 1N748A	2		D1,D28
27	27		11-00125-00	VZ= 10.0	5% 400 MW 1N758A	6		D37,D39,D52,D54,D56,D58
28	28		11-05275-00	PIV= 60	I0=300 MA -15NS	26		D11,D12,D19-D21,D29,D36,D38, CONT D45,D46,D51,D53,D55,D57, CONT D59-D63,D65-D68,D73-D75
29	29		11-05871-00	VZ= 5.15	1% 250 MW	2		D4,D71
30	30		11-09977-00	VZ= 4.3	5% 1N749A	1		D2
31	31		11-09991-01	VZ= 6.8	1% 400 MW D	1		D3
32	32		11-13003-00	PIV= 55	I0=200 MA - 4NS 1N5282	6		D5-D10
33	33		11-14384-00		LED 105MW 35MA GREEN	2		D76,D77
34	34		11-16824-00		VARICAPS, PIV= 3 400MW 1N5	2		D30,D31
35	35		11-18548-00		SS ARRAY WIV= 50 IF= 350MA 8DI	2		E87,E100
36	36		12-12204-13		PCB HEADER 16PIN(1X16).156CC 90D	1		J403
37	37		12-12518-03		*** THIS ITEM IS NOT USED ***	-		
38	38		12-12965-01		PCB,HEADER 10PIN(2X05).100CC 90D	1		J401
39	39		12-15006-03		*** THIS ITEM IS NOT USED ***	-		
40	40		12-16832-02		PCB,HEADER 40POS(2X20).100CC 90D	1		J402
41	41		12-16869-00		THERMOSTAT,74 C	1		S1
42	42		12-18911-00		RLY,REED, 5V COIL,1PST	2		K1,K2
43	43		13-00219-00	68.0	.25 W 5.0 % CF	1		R27
44	44		13-00291-00	300.0	.50 W 5.0 % CF	2		R217,R218
45	45		13-00296-00	330.0	.50 W 5.0 % CF	2		R10,R11
46	46		13-00308-00	390.0	.50 W 5.0 % CF	3		R40,R41,R266
47	47		13-00316-00	470.0	.25 W 5.0 % CF	3		R54-R56
48	48		13-00365-00	1.0	K .25 W 5.0 % CF	8		R53,R107,R226,R280,R281,R285, CONT R288,R801
49	49		13-00432-00	3.0	K .25 W 5.0 % CF	2		R98,R99
50	50		13-00444-00	3.90	K .25 W 5.0 % CF	3		R115,R119,R503
51	51		13-00447-00	4.70	K .25 W 5.0 % CF	19		R110,R112,R125-R127,R157,R158, CONT R216,R242,R243,R260,R800,R802, CONT R803,R812-R816
52	52		13-00479-00	10.0	K .25 W 5.0 % CF	6		R230,R233,R234,R240,R501,R504
53	53		13-00496-00	15.0	K .25 W 5.0 % CF	2		R88,R89
54	54		13-00554-00	470.0	K .50 W 10.0 % CF	1		R220
55	55		13-01317-00	10.0	.25 W 5.0 % CF	2		R45,R284
56	56		13-01422-00	7.50	K .25 W 5.0 % CF	1		R46
57	57		13-01837-00	1.21	K .50 W 1.0 % RN60C-F 5	2		R35,R36
58	58		13-02308-00	68.0	2.0 W 5.0 % CC	6		R229,R238,R239,R244-R246
59	59		13-02321-00	510.0	.50 W 5.0 % CF	3		R12,R13,R100
60	60		13-02381-00	200.0	.50 W 5.0 % CF	4		R8,R9,R38,R39
61	61		13-02388-00	2.0	K .25 W 5.0 % CF	2		R86,R87
62	62		13-02411-00	511.0	.25 W 1.0 % RN55D-F10	3		R143,R147,R268
63	63		13-02466-00	100.0	K .25 W 5.0 % CF	2		R231,R236
64	64		13-02858-00	100.0	.25 W 1.0 % RN55D-F10	5		R6,R7,R195,R271,R275

D	I	G	I	T	A	L	TITLE	SECTION A OF A	SIZE	CODE	DOCUMENT NUMBER	REV
							SERVO CONTROL		K	PL	5415251-0-DBP	T

AUTOMATED BY VAXKPL (V1.1)

PARTS LIST

SHEET A3 OF A6

LINE	ITEM	TOP DOCUMENT	PART NUMBER	MIN REV	DESCRIPTION	QTY PER VAR/REV	REFERENCE DESIGNATORS
						00 L6	
65	65		13-02872-00	681.0	.25 W 1.0 Z RN55D-F10	1	R50
66	66		13-03114-00	1.0 K	.25 W 1.0 Z RN55D-F10	8	CONT R90,R93,R175,R211,R213,R227, R256,R277
67	67		13-03177-00	2.40 K	.25 W 5.0 Z CF	1	R241
68	68		13-03179-00	8.20 K	.25 W 5.0 Z CF	1	R237
69	69		13-03312-00	10.0 K	.25 W 1.0 Z RN55D-F10	13	R97,R113,R117,R136,R138,R176, CONT R182,R188,R194,R196,R199,R214, CONT R215
70	70		13-04693-00	562.0	.25 W 1.0 Z RN55D-F10	1	R32
71	71		13-04843-00	243.0 K	.25 W 1.0 Z RN55D-F10	1	R160
72	72		13-04854-00	5.11 K	.25 W 1.0 Z RN55D-F10	1	R26
73	73		13-04855-00	9.09 K	.25 W 1.0 Z RN55D-F10	1	R228
74	74		13-04857-00	237.0	.25 W 1.0 Z RN55D-F10	1	R68
75	75		13-04863-00	316.0	.25 W 1.0 Z RN55D-F10	2	R43,R44
76	76		13-05114-00	3.48 K	.25 W 1.0 Z RN55D-F10	2	R91,R94
77	77		13-05124-00	287.0	.25 W 1.0 Z RN55D-F10	4	R14,R15,R34,R51
78	78		13-05125-00	383.0	.25 W 1.0 Z RN55D-F10	1	R96
79	79		13-05131-00	274.0 K	.25 W 1.0 Z RN55D-F10	6	R69-R72,R267,R273
80	80		13-05143-00	825.0	.25 W 1.0 Z RN55D-F10	1	R49
81	81		13-05253-00	7.15 K	.25 W 1.0 Z RN55D-F10	4	R189-R192
82	82		13-05322-00	*** THIS ITEM IS NOT USED ***		-	
83	83		13-05323-00	511.0 K	.25 W 1.0 Z RN55D-F10	1	R144
84	84		13-05324-00	4.99 K	.25 W 1.0 Z RN55D-F10	5	R161,R197,R198,R272,R276
85	85		13-05336-00	200.0 K	.25 W 1.0 Z RN55D-F10	1	R150
86	86		13-05405-00	24.90 K	.25 W 1.0 Z RN55D-F10	1	R108
87	87		13-05422-00	137.0 K	.25 W 1.0 Z RN55D-F10	1	R73
88	88		13-09296-00	113.0 K	.25 W 0.1 Z RN55E-B 2	1	R159
89	89		13-09416-00	31.60 K	.25 W 1.0 Z RN55D-F10	2	R109,R145
90	90		13-09417-00	27.40 K	.25 W 1.0 Z RN55D-F10	4	R171-R174
91	91		13-09420-00	8.25 K	.25 W 1.0 Z RN55D-F10	1	R156
92	92		13-09595-00	1.0 M	.25 W 5.0 Z CF	11	CONT R114,R118,R128-R130,R133,R253, R254,R257,R258,R502
93	93		13-10630-00	1.33 K	.25 W 1.0 Z RN55D-F10	1	R67
94	94		13-10634-00	2.67 K	.25 W 1.0 Z RN55D-F10	3	R81,R193,R252
95	95		13-11522-00	200.0	.25 W 5.0 Z CF	1	R152
96	96		13-12546-00	16.50 K	.25 W 1.0 Z RN55D-F10	4	R177-R180
97	97		13-12626-00	2.49 K	.25 W 1.0 Z RN55D-F10	2	R270,R274
98	98		13-12699-00	150.0	.50 W 1.0 Z RN60D-F10	1	R219
99	99		13-12924-00	10.70 K	.25 W 1.0 Z RN55D-F10	3	R162,R163,R251
100	100		13-12928-00	51.0	.25 W 5.0 Z CF	6	R103,R121,R123,R124,R289,R290
101	101		13-12930-00	5.10 K	.25 W 5.0 Z CF	7	R1,R57,R116,R120,R232,R235,R505
102	102		13-12985-00	332.0 K	.25 W 1.0 Z RN55D-F10	1	R92
103	103		13-12988-00	49.90 K	.25 W 1.0 Z RN55D-F10	1	R122
104	104		13-12990-00	12.70 K	.25 W 1.0 Z RN55D-F10	1	R80
105	105		13-13344-00	75.0 K	.25 W 1.0 Z RN55D-F10	3	R47,R111,R134
106	106		13-13358-00	.20	5.0 W 3.0 Z WW	2	R223,R224
107	107		13-13588-00	768.0	.25 W 1.0 Z RN55D-F10	1	R187
108	108		13-13589-00	1.40 K	.25 W 1.0 Z RN55D-F10	2	R58,R59
109	109		13-13593-00	11.80 K	.25 W 1.0 Z RN55D-F10	1	R79
110	110		13-13594-00	14.0 K	.25 W 1.0 Z RN55D-F10	1	R255

D	I	G	I	T	A	L	TITLE	SECTION A OF A	SIZE	CODE	DOCUMENT NUMBER	REV
							SERVO CONTROL		K	PL	5415251-0-DBP	T

LINE ITEM	TOP DOCUMENT	PART NUMBER	MIN REV	DESCRIPTION	QTY PER VAR/REV	REFERENCE DESIGNATORS
					00 L6	
111	111	13-13596-00	20.0 K	.25 W 1.0 % RN55D-F10	7	R139,R146,R164-R166,R210,R212
112	112	13-13753-00	37.40 K	.25 W 1.0 % RN55D-F10	1	R135
113	113	13-13775-00	80.60 K	.25 W 1.0 % RN55D-F10	1	R95
114	114	13-13842-00	48.70 K	.25 W 1.0 % RN55D-F10	5	R151,R153,R167,R169,R170
115	115	13-13846-00	2.26 K	.25 W 1.0 % RN55D-F10	4	R16,R37,R60,R154
116	116	13-14041-00	3.01 K	.25 W 1.0 % RN55D-F10	1	R66
117	117	13-14187-00	6.19 K	.25 W 1.0 % RN55D-F10	1	R137
118	118	13-14251-00	61.90 K	.25 W 1.0 % RN55D-F10	2	R23,R259
119	119	13-14387-00	3.90 M	.25 W 5.0 % CF	1	R149
120	120	13-14491-00	1.02 K	.25 W 1.0 % RN55D-F10	2	R17,R181
121	121	13-14492-00	40.20 K	.25 W 1.0 % RN55D-F10	1	R24
122	122	13-14763-00	4.12 K	.25 W 1.0 % RN55D-F10	2	R140,R155
123	123	13-14989-00	11.30 K	.25 W 1.0 % RN55D-F10	4	R183-R186
124	124	13-15240-00	.10	3.0 W 1.0 % WW	1	R225
125	125	13-16254-00	R NETWORK	7-470 2.0 % 8PIN	3	Z23,Z26,Z29
126	126	13-16254-01	R NETWORK	7-4.7K 2.0 % 8PIN	3	Z13,Z21,Z22
127	127	13-16254-02	R NETWORK	7-1.0K 2.0 % 8PIN	1	Z15
128	128	13-16334-02	R NETWORK	9-10K 2.0 % 10PIN	1	Z59
129	129	13-16395-00	R NETWORK	9-4.7K 2.0 % 10PIN	3	Z30,Z64,Z65
130	130	13-16444-00	150.0 K	.25 W 1.0 % RN55D-F10	2	R141,R142
131	131	13-16575-00	10.0	2.0 W 5.0 % CC	4	R282,R283,R286,R287
132	132	13-16839-00	715.0	.25 W 1.0 % RN55D-F10	2	R18,R48
133	133	13-16844-00	301.0	.50 W 1.0 % RN60D-F10	2	R221,R222
134	134	13-17183-03	115.0 K	.25 W 1.0 % RN55D-F10	2	R21,R33
135	135	13-17398-00	4.22 K	.25 W 1.0 % RN55D-F10	1	R25
136	136	13-17404-00	249.0	.25 W 1.0 % RN55D-F10	1	R42
137	137	13-18532-00	R NETWORK	4-100 2.0 % 8PIN	7	Z2,Z5,Z9,Z11,Z12,Z20,Z25
138	138	13-18532-01	R NETWORK	4-1K 2.0 % 8PIN	2	Z1,Z37
139	139	13-18532-03	R NETWORK	4-3K 2.0 % 8PIN	1	Z16
140	140	13-18532-04	R NETWORK	4-5.1K 2.0 % 8PIN	1	Z4
141	141	13-18532-05	R NETWORK	4-10K 2.0 % 8PIN	8	Z6,Z38,Z52,Z56-Z58,Z60,Z63
142	142	13-18532-06	R NETWORK	4-51K 2.0 % 8PIN	3	Z51,Z54,Z55
143	143	13-18532-07	R NETWORK	4-100K 2.0 % 8PIN	1	Z17
144	144	13-18533-00	R NETWORK	4-20K 2.0 % 8PIN	5	Z31,Z34,Z35,Z40,Z41
145	145	13-18534-00	R NETWORK	4-14.7K .20% PIN	3	Z3,Z18,Z19
146	146	15-09900-00	2N 4859	FET 360MW SIN CHNNL	1	Q9
147	147	15-10421-00	D 44CB	NPN 30WT SI 60 20	1	Q13
148	148	15-11282-00	MJ2500	PNP 150WC SI 60 5 1K 5A	1	Q10
149	149	15-11349-00	TIP 640	(OR MJ3000) NPN DARLINGT	1	Q11
150	150	15-13489-00	2N 4401	NPN 350MW SI 40 20	2	Q7,Q12
151	151	15-13490-00	2N 4403	PNP 350MW SI-40 30	1	Q8
152	152	15-17999-00	3906	PNP 900MW ARRAY 14PIN	3	E94,E96,E101
153	153	15-19472-01	2N 4209	PNP 300MW 15V@50MA	1	Q3
154	154	16-09756-00	2.2 UH	10% 760MA #DD2.20	2	L1,L2
155	155	16-12946-00	10.0 UH	10% Q MIN=55@7.9MHZ	2	L3,L4
156	156	16-12946-08	1.36 UH	1% Q MIN=20@7.9MHZ	1	L5
157	157	16-19072-01	DELAY=	275NS, STAPS	2	E68,E69
158	158	18-12396-05	XTAL	6.144 MHZ	1	Y1
159	159	19-10268-00	DEC	75107B RECEIVER,LINE,DUAL,2	1	E80
160	160	19-10406-00		75451 DRIVER,PERIPH,DUAL,A	2	E52,E53

D	I	G	I	T	A	L	TITLE	SECTION A	OF A	SIZE	CODE	DOCUMENT NUMBER	REV
							SERVO CONTROL			K	PL	5415251-0-DBP	T

PARTS LIST

LINE ITEM	TOP DOCUMENT	PART NUMBER	MIN REV	DESCRIPTION	QTY PER VAR/REV	REFERENCE DESIGNATORS
					00 L6	
161	161	19-10532-00		74S00 NAND GATE-QUAD 2IN	1	E55
162	162	19-10533-00		74S03 NAND GATE-QUAD 2IN,0	1	E24
163	163	19-10534-B0		74S04 BURNED-IN INVERTER 6	3	E29,E41,E85
164	164	19-10536-00		74S10 NAND GATE-TRIPLE 3IN	1	E38
165	165	19-10537-00		74S11 AND GATE-TRIPLE 3INP	1	E56
166	166	19-10540-00		74S22 NAND GATE-DUAL 4INPU	1	E23
167	167	19-10544-B0		74S74 BURNED-IN FF-D DUAL,	3	E27,E54,E57
168	168	19-10544-01		74S74-60GG-D DUAL,EDGE TRIG	1	E44
169	169	19-10644-00		733 DIFFERENTIAL AMP,WID	1	E105
170	170	19-10741-00		7406 INVERTER GATE-HEX 1I	1	E70
171	171	19-11415-00		10125 ECL TO TTL TRNSLTR	1	E16
172	172	19-11629-00		1408L8 DAC, 8BIT	2	E75,E78
173	173	19-12108-B0		339 BURNED-IN VOLT CMPRT	4	E74,E83,E84,E91
174	174	19-12792-01		7915CKVOLT REG, FIX -15V	1	Q18
175	175	19-12799-B0		LS00 BURNED-IN NAND GATE-	4	E42,E43,E47,E66
176	176	19-12803-00		LS04 INVERTER GATE,HEX	3	E20,E46,E49
177	177	19-12805-00		LS08 AND GATE-QUAD 2IN,PO	1	E50
178	178	19-12807-00		LS10 NAND GATE-TRIPLE 3IN	1	E67
179	179	19-12808-00		LS11 AND GATE-TRIPLE 3IN	1	E64
180	180	19-12810-00		LS20 NAND GATE-DUAL 4IN	1	E60
181	181	19-12816-00		LS32 OR GATE-QUAD 2IN,POS	2	E51,E59
182	182	19-12824-00		LS74 FF-D DUAL,EDGE TRIG	7	E5,E37,E40,E45,E48,E58,E65
183	183	19-12834-00		LS112 FF-JK,DUAL,EDGE TRIG	1	E4
184	184	19-12837-00		LS123 ONE SHOT-DUAL,RETRIG	3	E72,E73,E76
185	185	19-12842-00		LS138 DECODER-THREE INPUT,	2	E12,E13
186	186	19-12849-00		LS161 COUNTER,SYNCHR,4BIT	1	E26
187	187	19-12850-00		LS164 SHIFT REG, 8BIT SERI	1	E17
188	188	19-12858-00		LS221 ONE SHOT-DUAL,SCHMIT	1	E71
189	189	19-12863-00		LS273 FF-D OCTAL w/CLEAR	1	E39
190	190	19-13017-00		3046 XSISTOR ARRAY,3 ISOL	5	E15,E86,E93,E115,E116
191	191	19-13035-02	LM	308ANOP AMP GEN PURP. COM	2	E90,E118
192	192	19-13667-00	DP	8212N BUFFER 8 BIT TRISTAT	2	E21,E22
193	193	19-14086-00		74S30 NAND GATE-POS 8IN	1	E18
194	194	19-14473-00	DEC	7815 VOLT REG, FIX +15V	1	Q17
195	195	19-14485-02	TL	084B OP AMP,QUAD,JFET	11	E89,E99,E102,E104,E106,E110, CONT E113,E114,E117,E120,E124
196	196	19-15218-00		LS245 TRANSCEIVER,BUS,OCTA	1	E9
197	197	19-15219-00		LS373 FF-D OCTAL-TRANSPARE	1	E32
198	198	19-16079-00		8253-TIMER,PROGRAMMABLE I	1	E31
199	199	19-16574-00		10114 RECEIVER,LINE,TRIPLE	1	E3
200	200	21-14212-00	P	2114-2 RAM,1024X4,STATIC	2	E35,E36
201	201	21-14963-00	UP,8-BIT NMOS		1	E11
202	202	21-14964-00		RAM 2048 MOSJ-STATIC	1	E7
203	203	21-19304-01		0804 ADC,8-BIT DIFFERENTI	1	E77
204	204	21-19305-01		201 SWITCH,ANALOG,QUAD	10	E82,E103,E107-E109,E111,E112, CONT E119,E121,E122
205	205	23-95E3 -00	E3-03		1	E34
206	206	23-36E3 -00 A	E3-03		1	E33
207	207	23-69B9 -00 A	B9-01,B9-02	ROM	1	E8
208	208	23-91B9 -00	B9-01,B9-02	ROM	1	E10

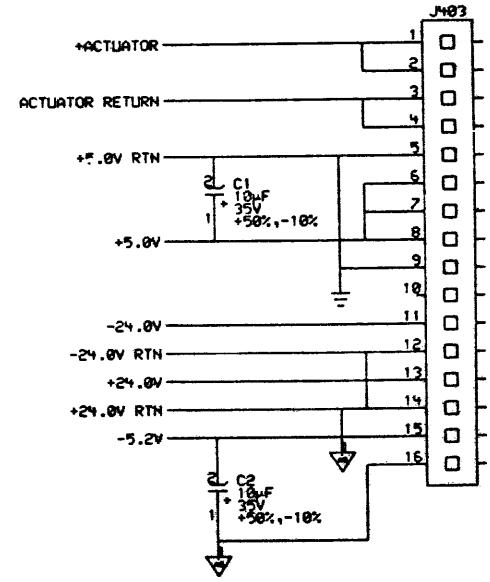
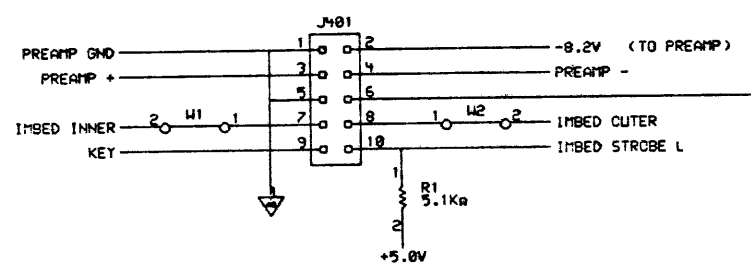
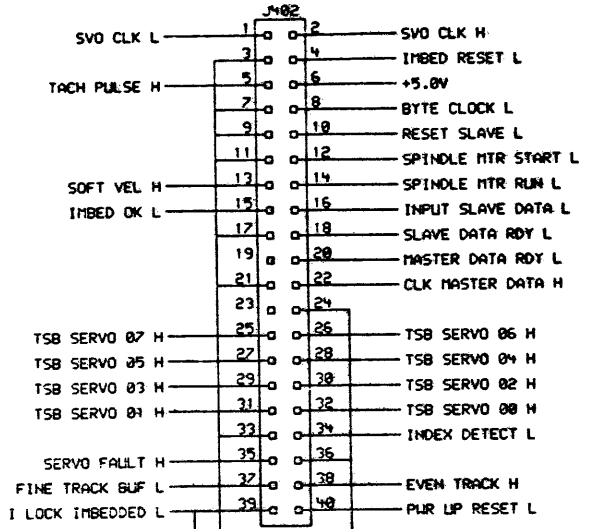
D	I	G	I	T	A	L	TITLE	SECTION A OF A	SIZE	CODE	DOCUMENT NUMBER	REV
							SERVO CONTROL		K	PL	5415251-0-DBP	T

LINE	ITEM	TOP DOCUMENT	PART NUMBER	MIN REV	DESCRIPTION	QTY PER VAR/REV	REFERENCE DESIGNATORS
						00 L6	
209	209		23-321A1-00	A1-07		1	E25
210	210		23-322A1-00	A1-07		1	E28
211	211		23-323A1-00	A1-07		1	E62
212	212		23-324A1-00	A1-07		1	E61
213	213		23-325A1-00	A1-07		1	E14
214	214		48-50018-01	MYLAR	, , .003'	A/R	
215	215		49-01259-00	ADHESIVE,ETHYL CYANOACRYLATE,KIT		A/R	
216	216		90-06010-01	SCREW,MACH PAN PHIL	4-	1	
217	217		90-06022-01	SCREW,MACH PAN PHIL	6-	4	
218	218		90-06557-00	NUT,HEX EXT TOOTH LCKWSHR	4-40	1	
219	219		90-06560-00	NUT,HEX EXT TOOTH LCKWSHR	6-32	9	
220	220		90-07791-00	TERM PCB	2POS SOLDER,TURRET	5	P1,P2,TP1-TP3
221	221		90-07793-01	SCREW,MACH PAN PHIL	6-	8	
222	222		90-09185-00	JUMPER,WIRE, INSULATED, BLACK B		23	W1,W2,W5,W8,W15,W24,W30,W33, CONT W39,W41,W42,W47,W49,W51,W53, CONT W58-W60,W65,W66,W77-W79
223	223		90-09676-00	TERM,SOLDER	BARRIER STR	4	
224	224		12-15006-02	*** THIS ITEM IS NOT USED ***		-	
225	225		12-15006-04	*** THIS ITEM IS NOT USED ***		-	
226	226		12-15006-06	*** THIS ITEM IS NOT USED ***		-	
227	227		12-15006-08	SKT,IC	40PIN DIP TIN SOLD	1	XE11
228	228		19-14214-00 C	*** THIS ITEM IS NOT USED ***		-	
229	229		19-15193-00 E	*** THIS ITEM IS NOT USED ***		-	
230	230		12-13071-02	INSULATOR,RUBBER SILICONE SM		4	
231	231		12-13071-06	INSULATOR,RUBBER SILICONE		1	
232	232		12-15580-00 CR	INSULATOR,MOLDED		4	
233	233		12-16833-00 A	HEAT SINK,EXTRUSION	06.00X02.8	1	
234	234		90-06655-00 CR	WASHER,FLAT	SST	1	
235	235		90-06656-00 CR	WASHER,FLAT	STEEL	4	
236	236		90-09321-00	LOCK TITE, SCREW LOCK,	10CC PER	A/R	

1 GEN: #1. USE B9-01 OR B9-02, WHICHEVER IS EASIER TO OBTAIN

DI	IG	IT	AL	TITLE	SECTION A OF A	SIZE	CODE	DOCUMENT NUMBER	REV
				SERVO CONTROL		K	PL	5415251-0-DBP	T

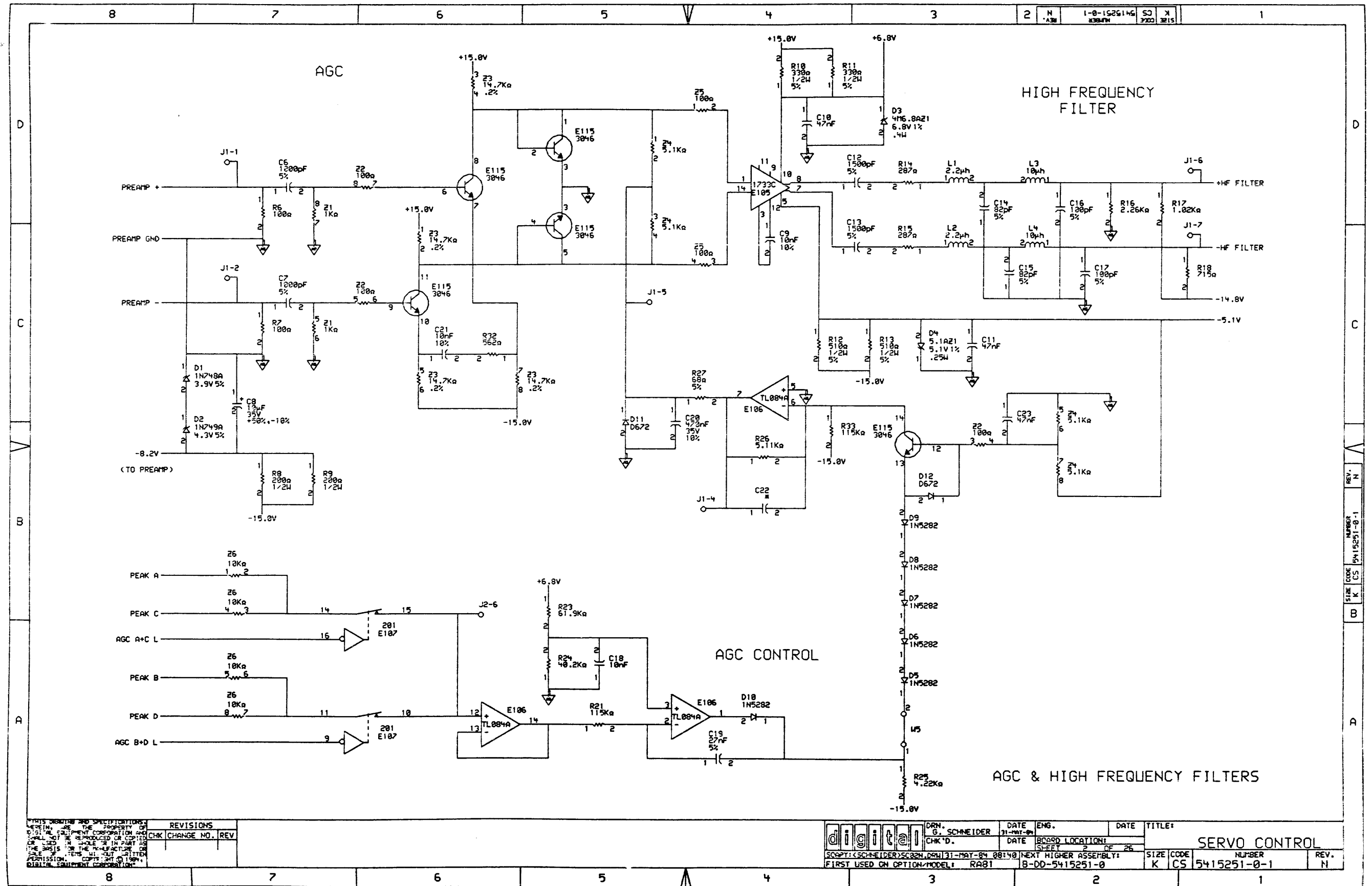
NOTE: 1) UNLESS OTHERWISE SPECIFIED,
 ALL RESISTORS ARE 1/4W, 1%.
 RESISTOR PACKS ARE .25W, 2%.
 CAPACITORS ARE 50V, +80%, -20%.
 2) ASTERISK = DENOTES COMPONENTS
 NOT INSERTED (OPTIONAL).



I/O

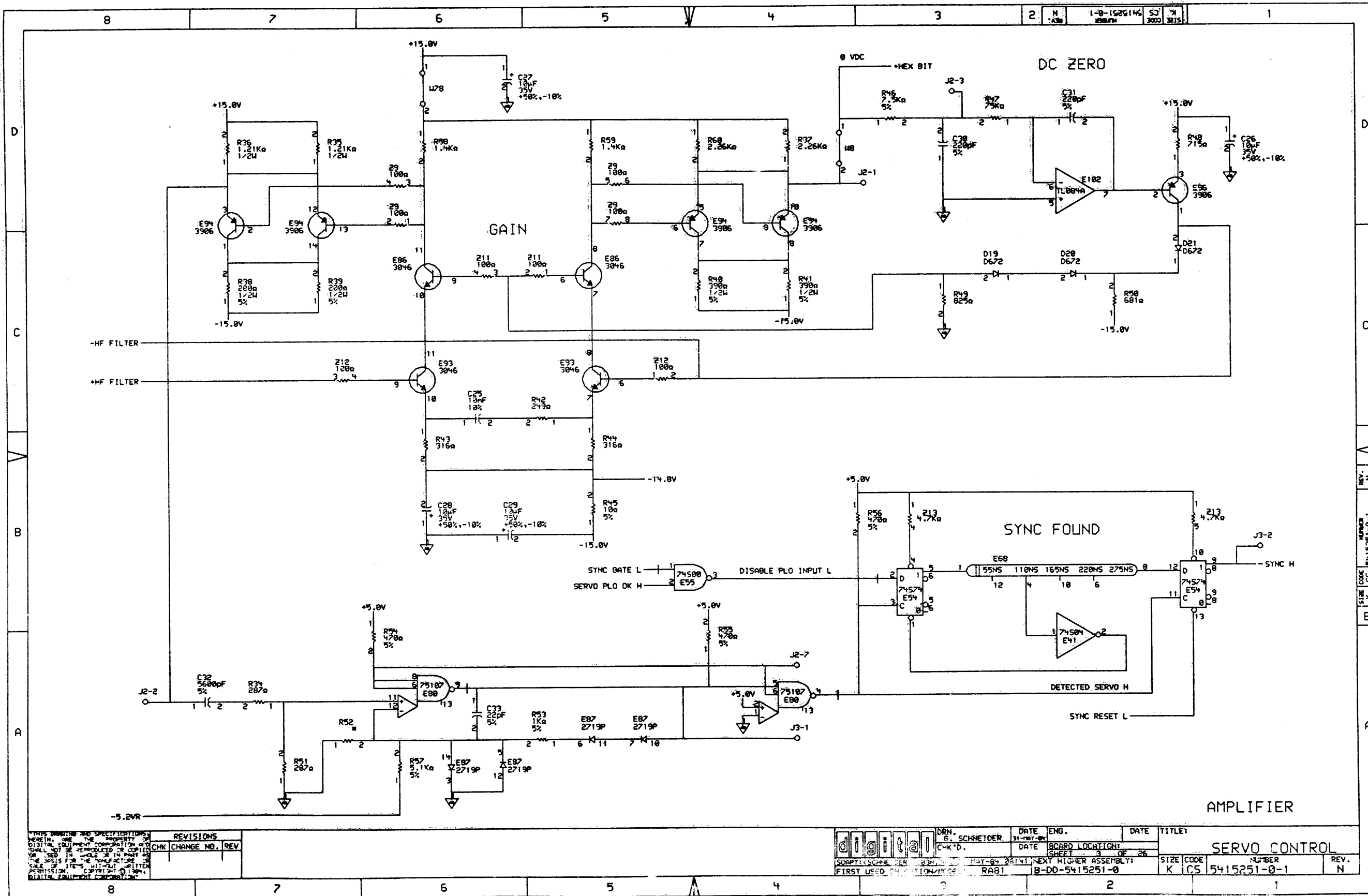
REV.	CHG. NO.	DATE	BY
1	15415251	31-MAY-84	G. Schneider
2	02012		N

	DRN: G. SCHNEIDER	DATE: 31-MAY-84	ENG: G. Schneider	DATE: 31-MAY-84	TITLE: SERVO CONTROL
	CHG. NO. 15415251	DATE: 31-MAY-84	BOARD LOCATION: 1 OF 25	SHEET: 1 OF 25	SIZE: K CS
FIRST USED ON OPTION MODEL: RAB1			B-DD-5415251-0		NUMBER: 5415251-0-1
					REV.: N



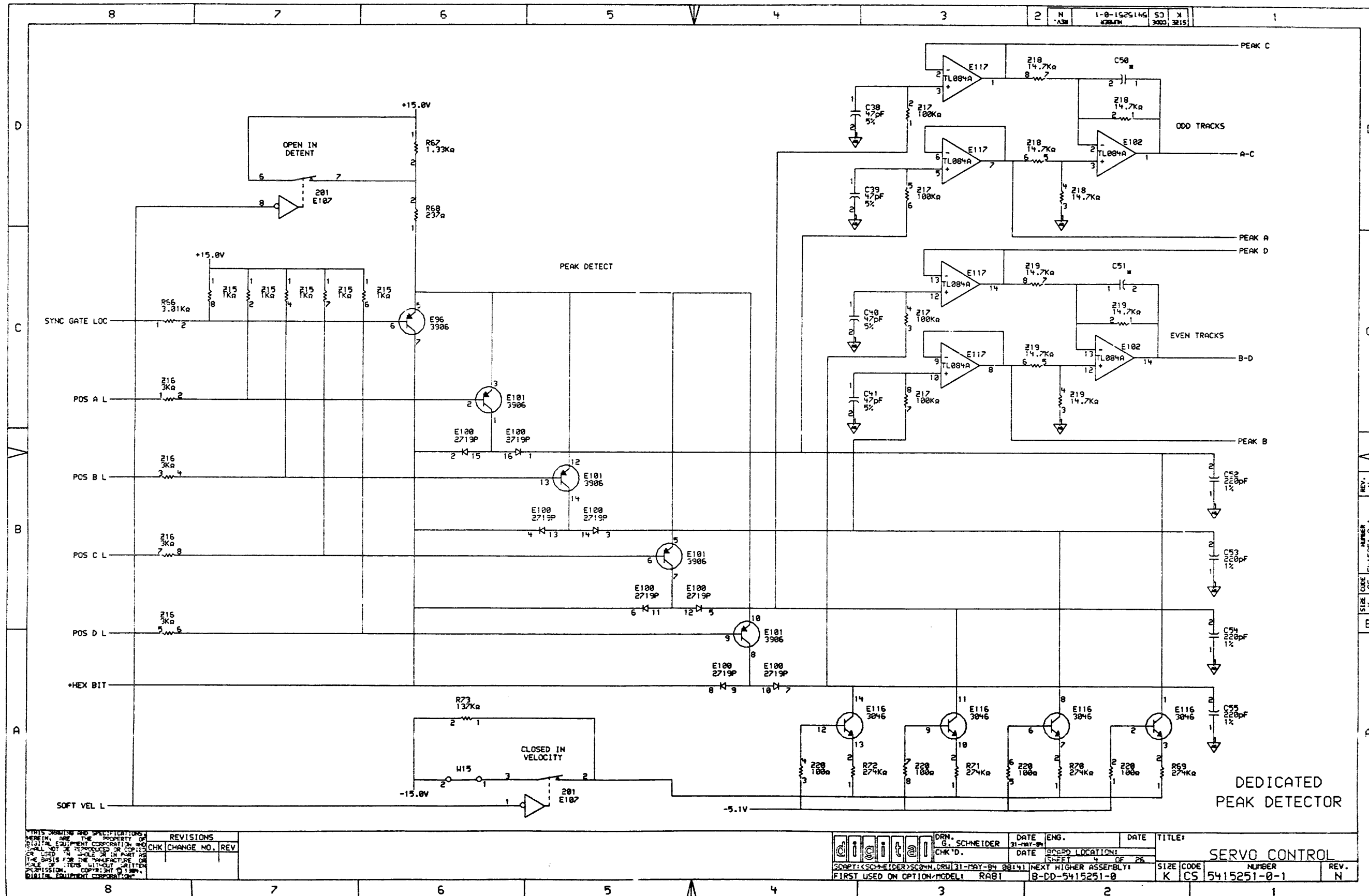
REVISIONS	
CHK	CHANGE NO. REV

	DRN. G. SCHNEIDER	DATE 31-MAY-84	ENG.	DATE	TITLE: SERVO CONTROL
	CHK'D.	DATE	BOARD LOCATION: SHEET 2 OF 26	SIZE CODE K CS	NUMBER 5415251-0-1
SCAPT: (SCHNEIDER) SC220N, DRAW 31-MAY-84 08:40 NEXT HIGHER ASSEMBLY: FIRST USED ON OPTION MODEL: RAB1			B-DD-5415251-0		REV. N



REVISIONS	
CHK	CHANGE NO. REV

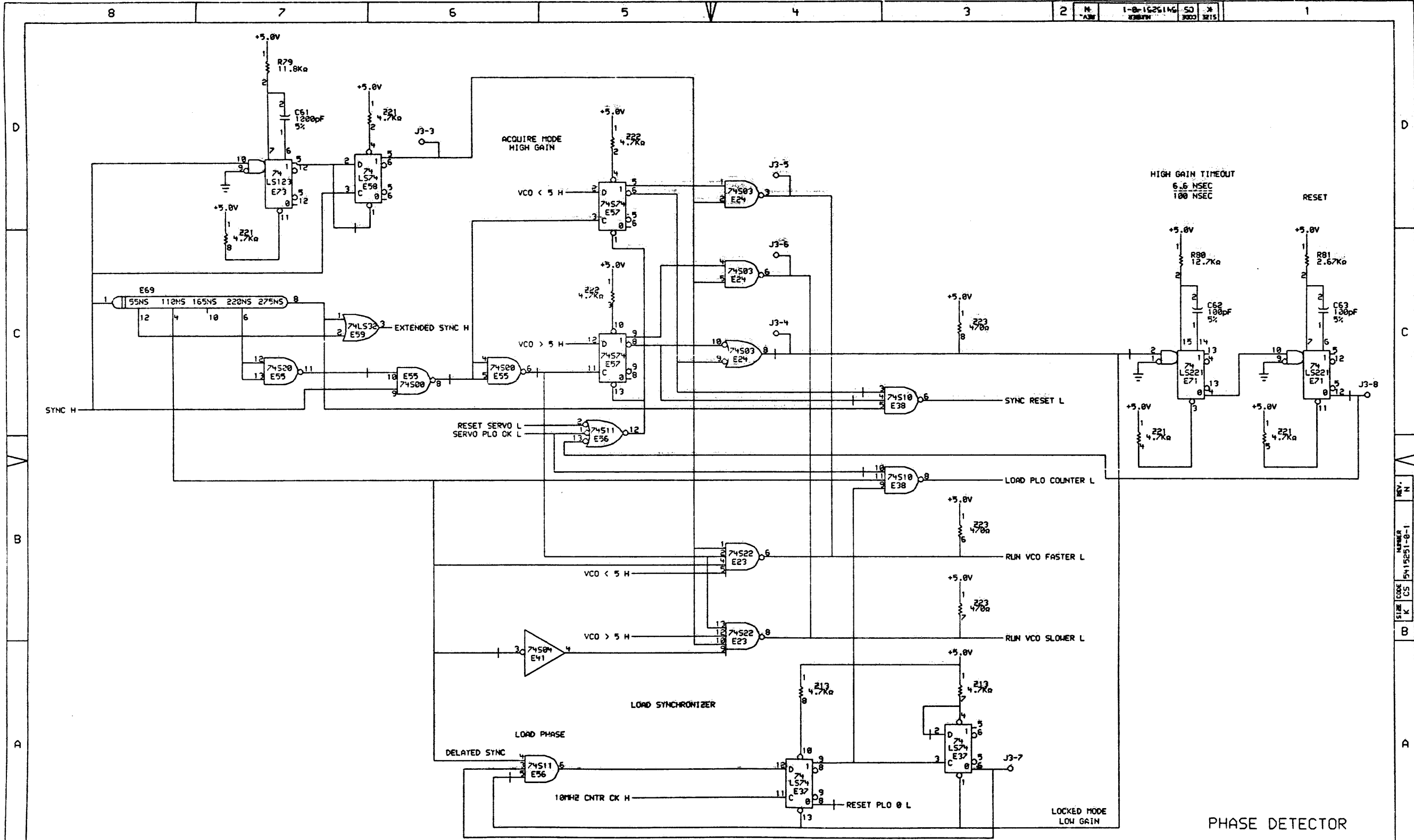
digital	DRN. G. SCHNEIDER	DATE 31-MAY-69	ENG.	DATE	TITLE
	CHK'D.	DATE	BOARD LOCATION	SHEET 3 OF 26	SERVO CONTROL
COPY: SCHEMATIC		MAY-69 28:41		NEXT HIGHER ASSEMBLY:	SIZE CODE K CS
FIRST USED: RAB1		B-DD-5415251-0		NUMBER 5415251-0-1	REV. N



THIS DRAWING AND SPECIFICATIONS HEREIN ARE THE PROPERTY OF DIGITAL EQUIPMENT CORPORATION AND SHALL NOT BE REPRODUCED OR COPIED IN WHOLE OR IN PART AS THE BASIS FOR THE MANUFACTURE OR SALE OF ITEMS WITHOUT WRITTEN PERMISSION. COPYRIGHT © 1984, DIGITAL EQUIPMENT CORPORATION.

REVISIONS	
CHK	CHANGE NO. REV

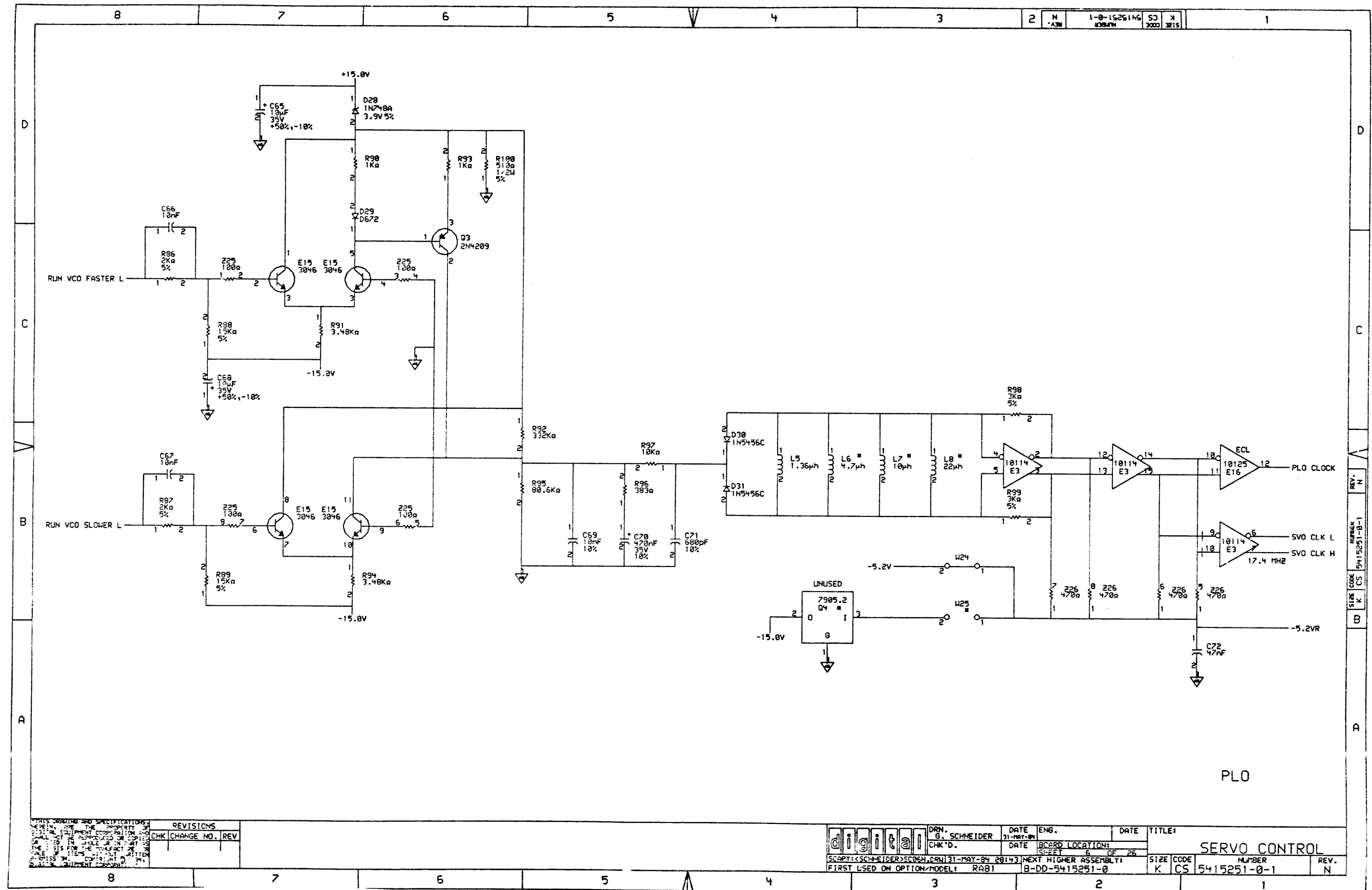
	DRN.	G. SCHNEIDER	DATE	31-MAY-84	ENG.		DATE		TITLE:
	CHK'D.		DATE		SCSD LOCATION:		SHEET	4 OF 26	SERVO CONTROL
FIRST USED ON OPTION/MODEL: RAB1		NEXT HIGHER ASSEMBLY: B-DD-5415251-0		SIZE	CODE	K CS	NUMBER	5415251-0-1	REV.
									N



REVISIONS	
CHK	CHANGE NO. REV.

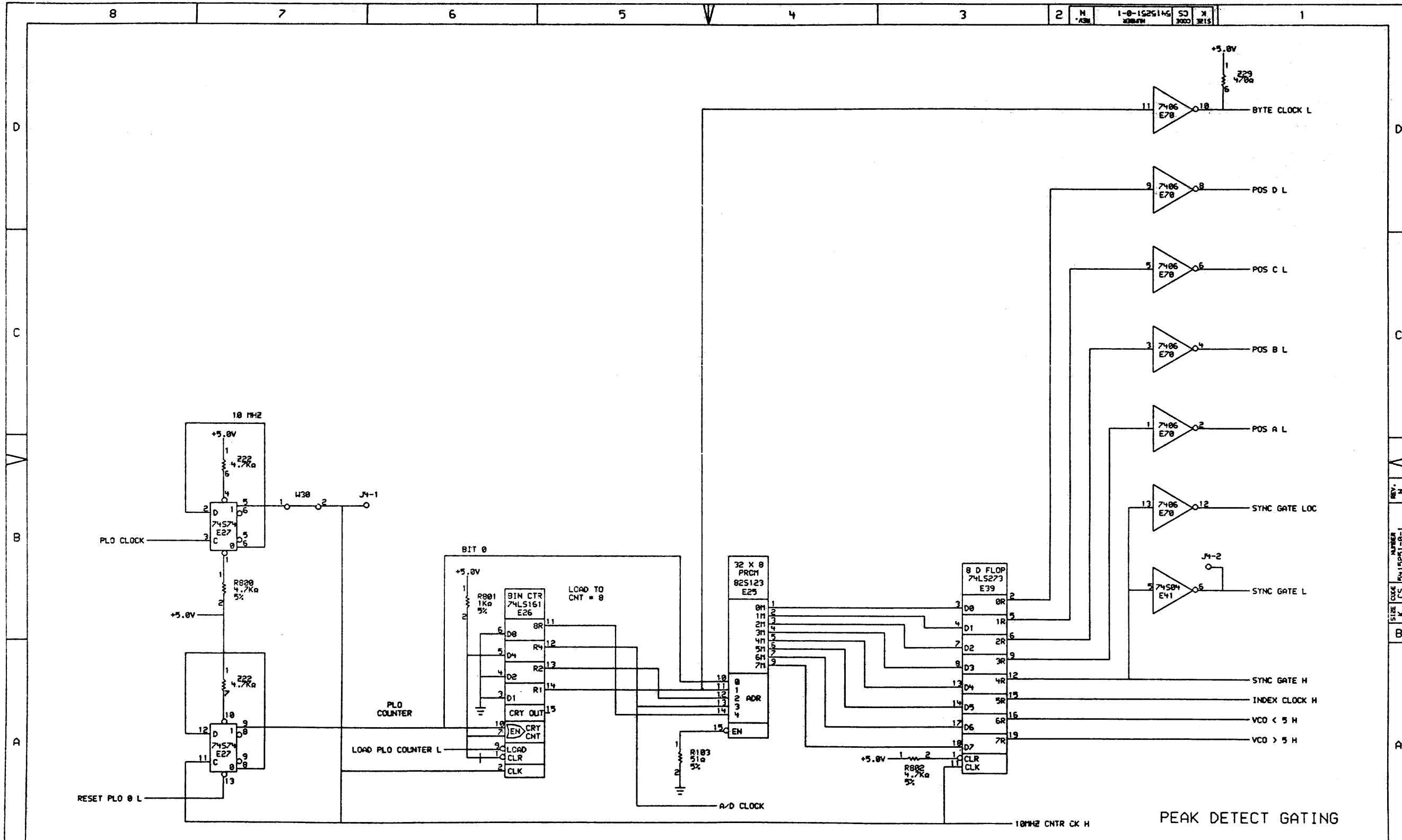
DRN. G. SCHNEIDER	DATE 31-MAY-84	ENG.	DATE	TITLE: SERVO CONTROL
CHK'D.	DATE	BOARD LOCATION:	SHEET 5 OF 26	SIZE CODE K CS
5047YKSCHEIDT/RSO/SM/PL/31-MAY-84 08:42	NEXT HIGHER ASSEMBLY: B-DD-5415251-0	NUMBER	REV. N	
FIRST USED ON OPTION MODEL: RAB1				

REV. N
 NUMBER 5415251-0-1
 SIZE CODE CS
 K



REVISIONS	
CHK	CHANGE NO. REV

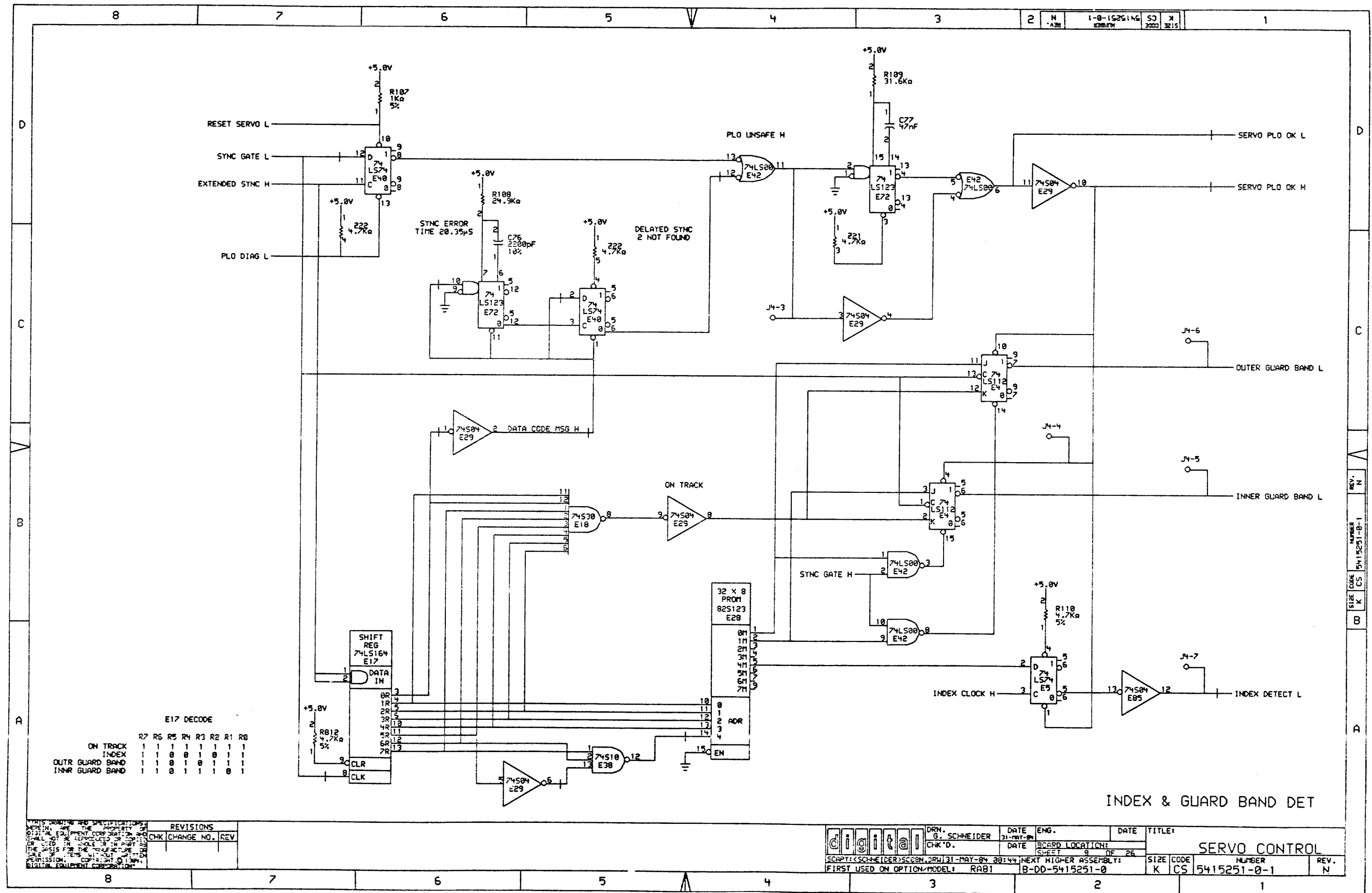
digital	DRW. G. SCHNEIDER	DATE 31-MAY-84	ENG.	DATE	TITLE: SERVO CONTROL
	CHK'D.	DATE	BOARD LOCATION:	SHEET 6 OF 25	SIZE CODE K CS
SCPT: <<SCHNEIDER>>SCSN.DRW 31-MAY-84 20143 NEXT HIGHER ASSEMBLY:			FIRST USED ON OPTION/MODEL: RA81		NUMBER 5415251-0-1
REV. N					REV. N



REVISIONS	
CHK	CHANGE NO. REV

	DRN. G. SCHNEIDER	DATE 31-MAY-84	ENG.	DATE	TITLE
	CHK'D.	DATE	BOARD LOCATION: SLEET 7 OF 26		SERVO CONTROL
SCHEMATIC: SCHNEIDER/SC24N.DRW/31-MAY-84 08144 NEXT HIGHER ASSEMBLY: B-DD-5415251-3		SIZE CODE K CS		NUMBER 5415251-0-1	
FIRST USED OR OPTION/MODEL: RA81				REV. N	

REV. N
 NUMBER 5415251-0-1
 SIZE CODE K CS

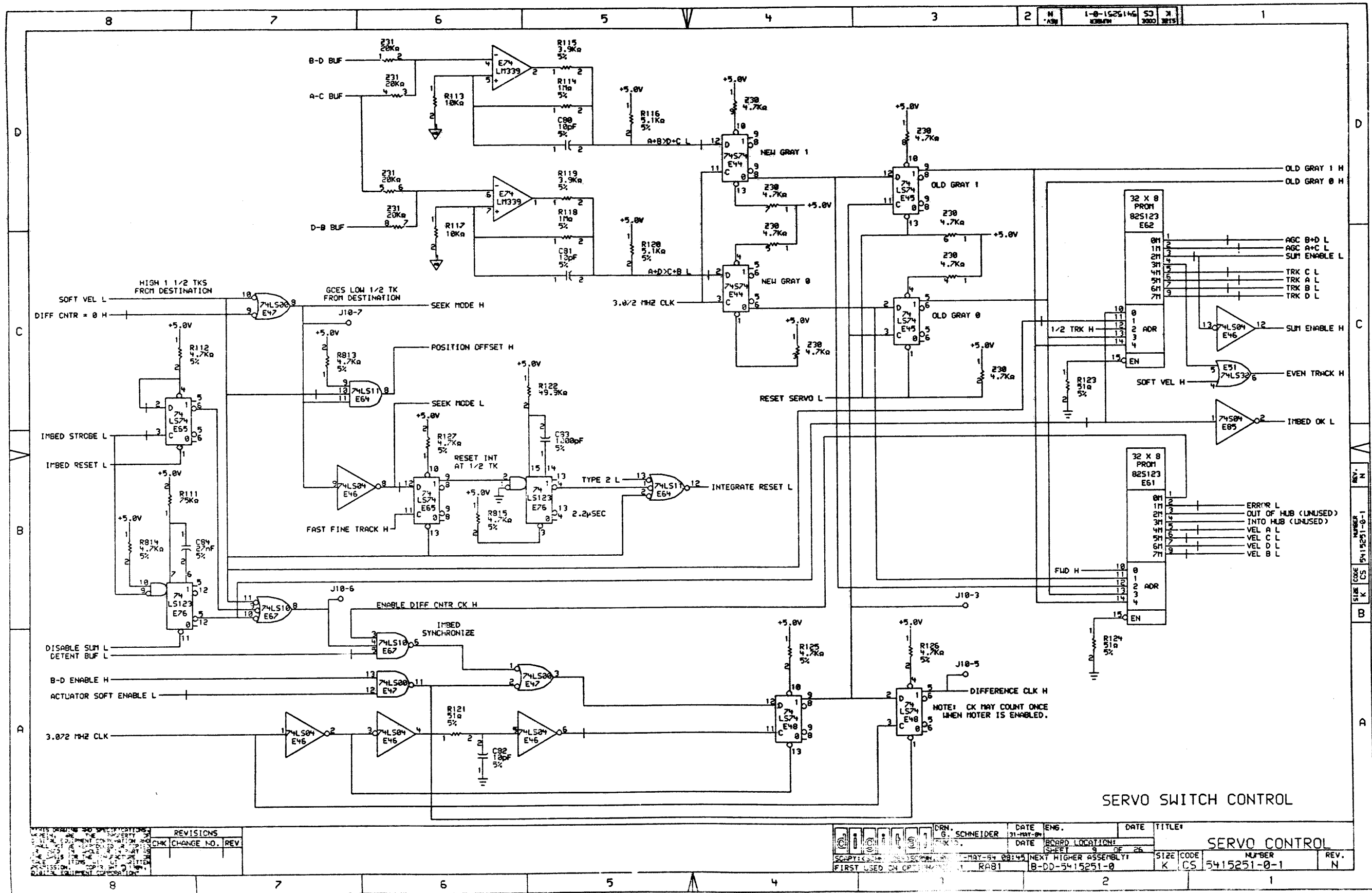


E17 DECODE

	R7	R6	R5	R4	R3	R2	R1	R0
ON TRACK	1	1	1	1	1	1	1	1
INDEX	1	1	0	1	0	1	1	1
OUTR GUARD BAND	1	1	0	1	0	1	1	1
INNER GUARD BAND	1	1	0	1	1	1	0	1

REVISIONS	
CHK	CHANGE NO. REV

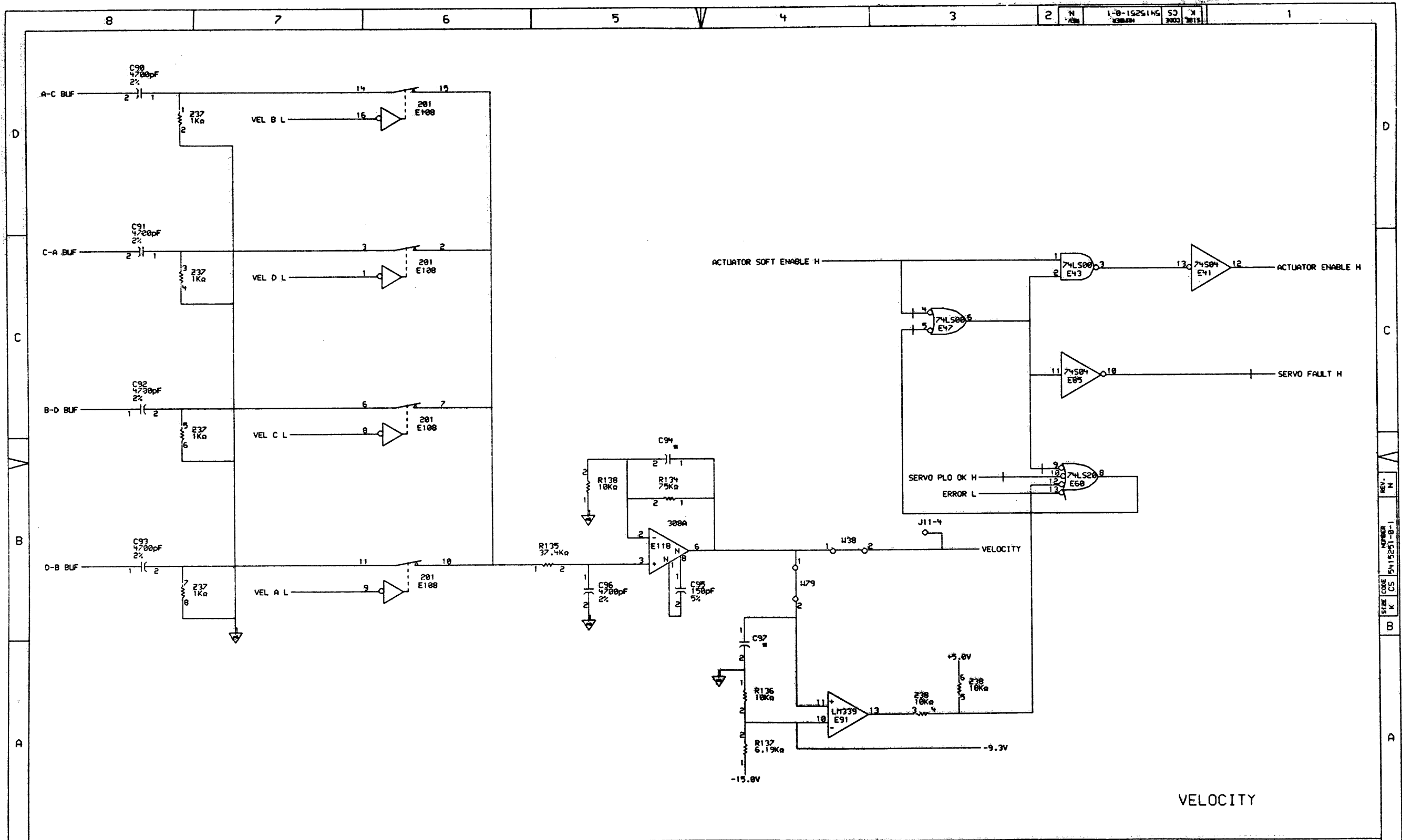
	DRN. G. SCHNEIDER	DATE 31-MAY-84	ENG.	DATE	TITLE: SERVO CONTROL
	CHK'D.	DATE 31-MAY-84	BOARD LOCATION: 8 OF 26	SIZE CODE: K CS	NUMBER: 5415251-0-1
SCAPT: (SCHNEIDER) SC22N, 2R4/31-MAY-84 28:44 NEXT HIGHER ASSEMBLY: B-DD-5415251-0			REV. N		



SERVO SWITCH CONTROL

REV.	NO.	DATE	BY	CHK	CHANGE NO.	REV

	DRN. G. SCHNEIDER DATE 31-MAY-80	DATE TITLE: SERVO CONTROL
SHEET 9 OF 26 FIRST USED ON OPERATIONAL RAB1	BOARD LOCATION: B-DD-5415251-0	SIZE CODE K CS 5415251-0-1 REV. N

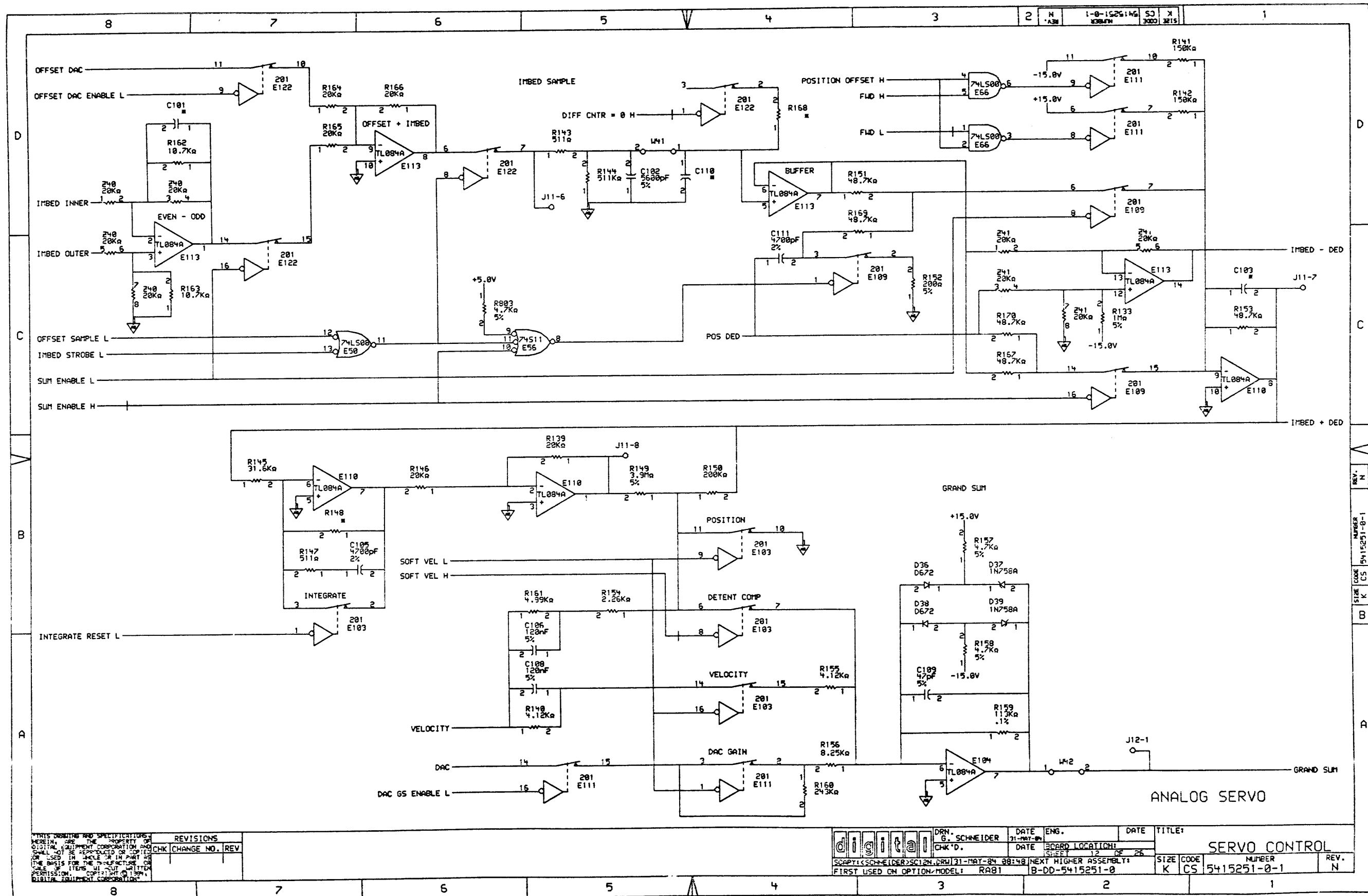


REV. N
NUMBER 15415251-0-1
SIZE CODE K CS

CHK	CHANGE NO.	REV

DATE	ENG.	DATE	TITLE:
31-MAY-88	G. SCHNEIDER	26	SERVO CONTROL
DATE	BOARD LOCATION:	SHEET	OF
MAY-84 08142	RAB1	11	26
NEXT HIGHER ASSEMBLY:	B-DD-5415251-8	SIZE CODE	NUMBER
		K CS	5415251-0-1
FIRST USED ON OPT. PART NO.:		REV.	N

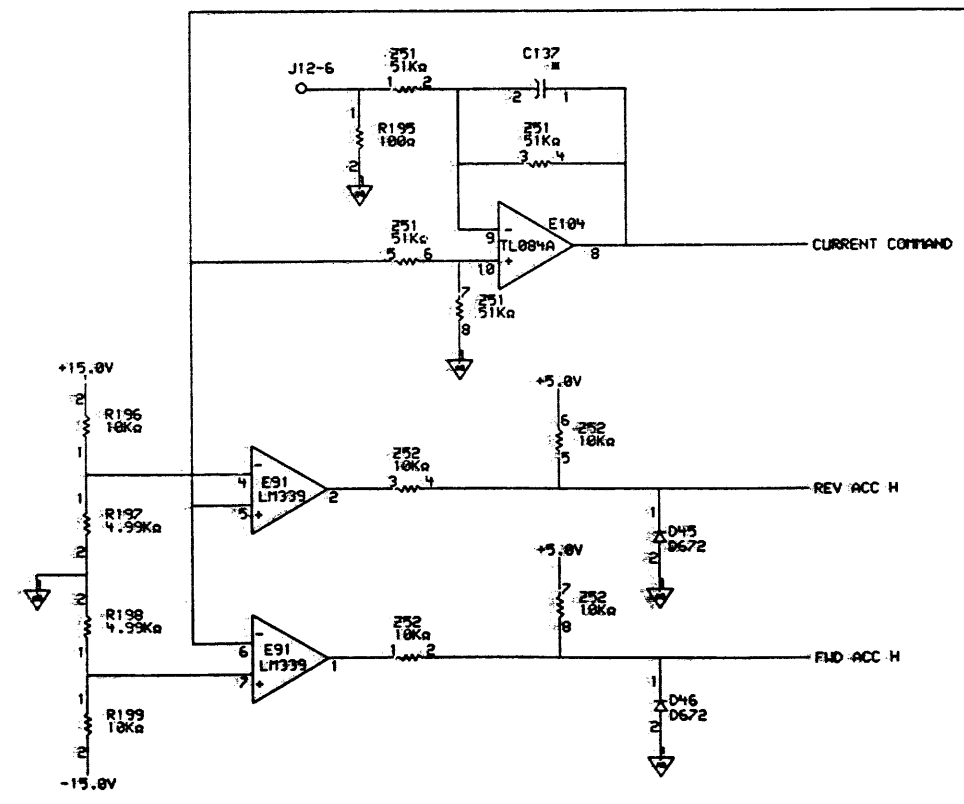
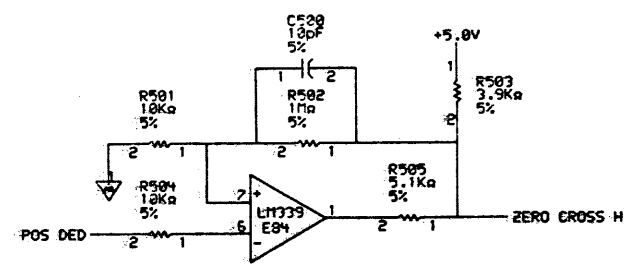
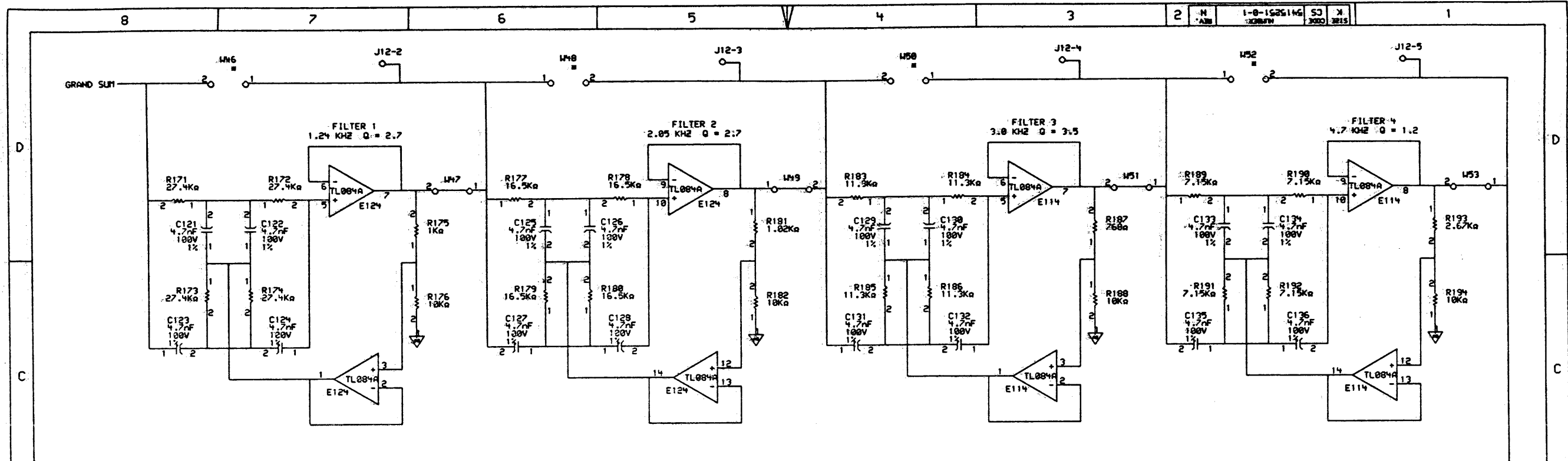
REV. N



THIS DRAWING AND SPECIFICATIONS
HEREIN ARE THE PROPERTY OF
DIGITAL EQUIPMENT CORPORATION
AND SHALL NOT BE REPRODUCED OR COPIED
OR USED IN ANY MANNER AS
THE BASIS FOR THE MANUFACTURE OR
SALE OF ITEMS WITHOUT WRITTEN
PERMISSION. COPY RIGHT © 1981
DIGITAL EQUIPMENT CORPORATION

REVISIONS		
CHK	CHANGE NO.	REV

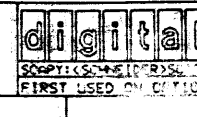
DRN: G. SCHNEIDER	DATE: 31-MAY-84	ENG.	DATE	TITLE: SERVO CONTROL
CHK'D:	DATE	BOARD LOCATION:	SHEET 12 OF 26	SIZE CODE: K CS
SCAPTICSCHEMELDR>SCLN.DRW	31-MAY-84 08:48	NEXT HIGHER ASSEMBLY:	B-DD-5415251-0	NUMBER: 5415251-0-1
FIRST USED ON OPTION/MODEL: RAB1				REV: N



FILTERS AND ACCELERATION DETECTION

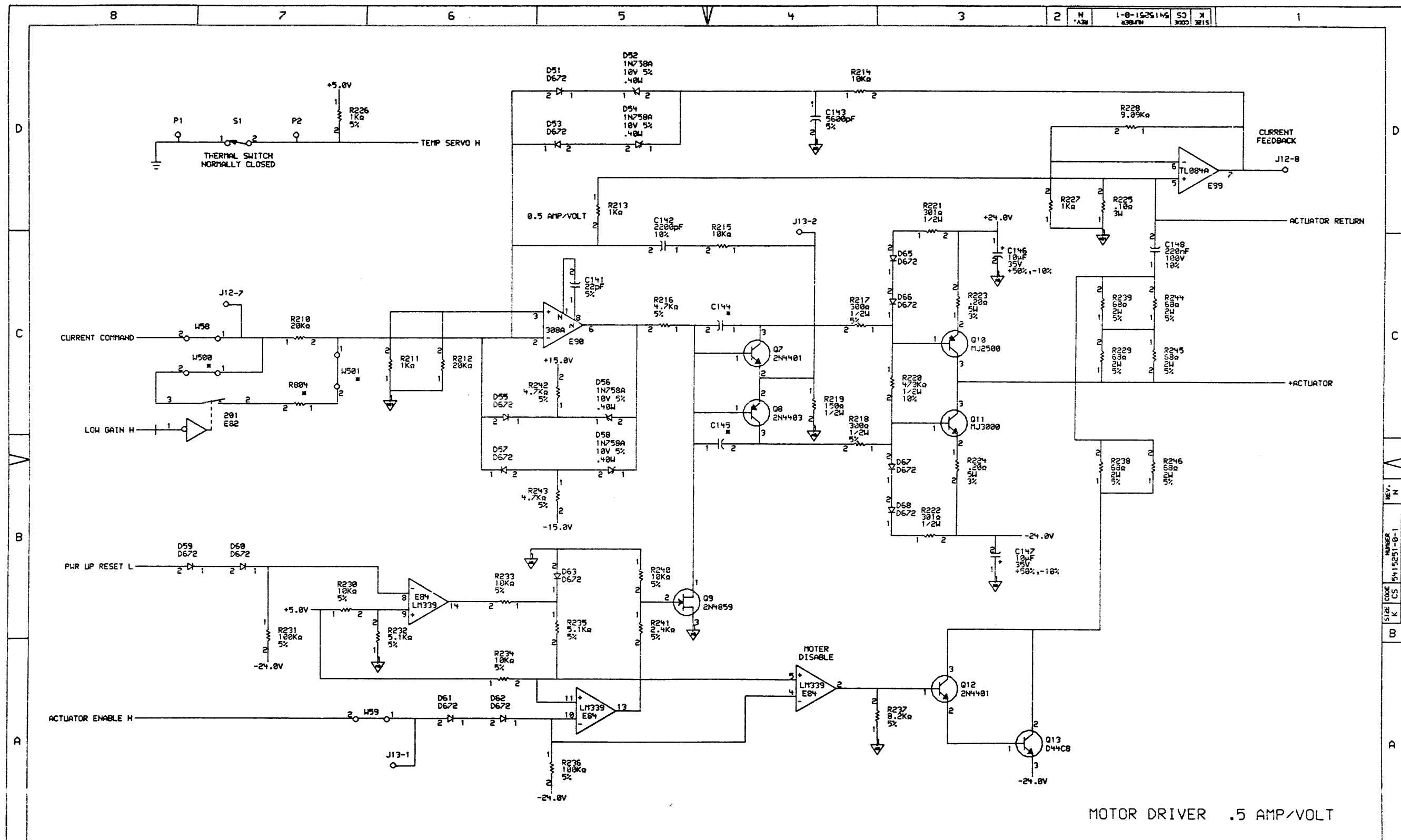
THIS DRAWING AND SPECIFICATIONS ARE THE PROPERTY OF DIGITAL EQUIPMENT CORPORATION AND SHALL NOT BE REPRODUCED OR COPIED OR USED IN WHOLE OR IN PART AS THE BASIS FOR THE MANUFACTURE OR SALE OF ITEMS WITHOUT WRITTEN PERMISSION. COPYRIGHT © 1984 DIGITAL EQUIPMENT CORPORATION

REVISIONS	
CHK	CHANGE NO. REV



DRN: G. SCHNEIDER	DATE: 31-MAY-84	ENG.	DATE	TITLE:
CHK'D:	DATE	BOARD LOCATION:	SHEET 13 OF 26	SERVO CONTROL
COPYRIGHT © 1984 BY DIGITAL EQUIPMENT CORPORATION		NEXT HIGHER ASSEMBLY: 1B-DD-5415251-0		SIZE CODE: K CS
FIRST USED ON: 1B-DD-5415251-0		NUMBER: 5415251-0-1	REV.: N	

REV. N
 SIZE K CS 5415251-0-1



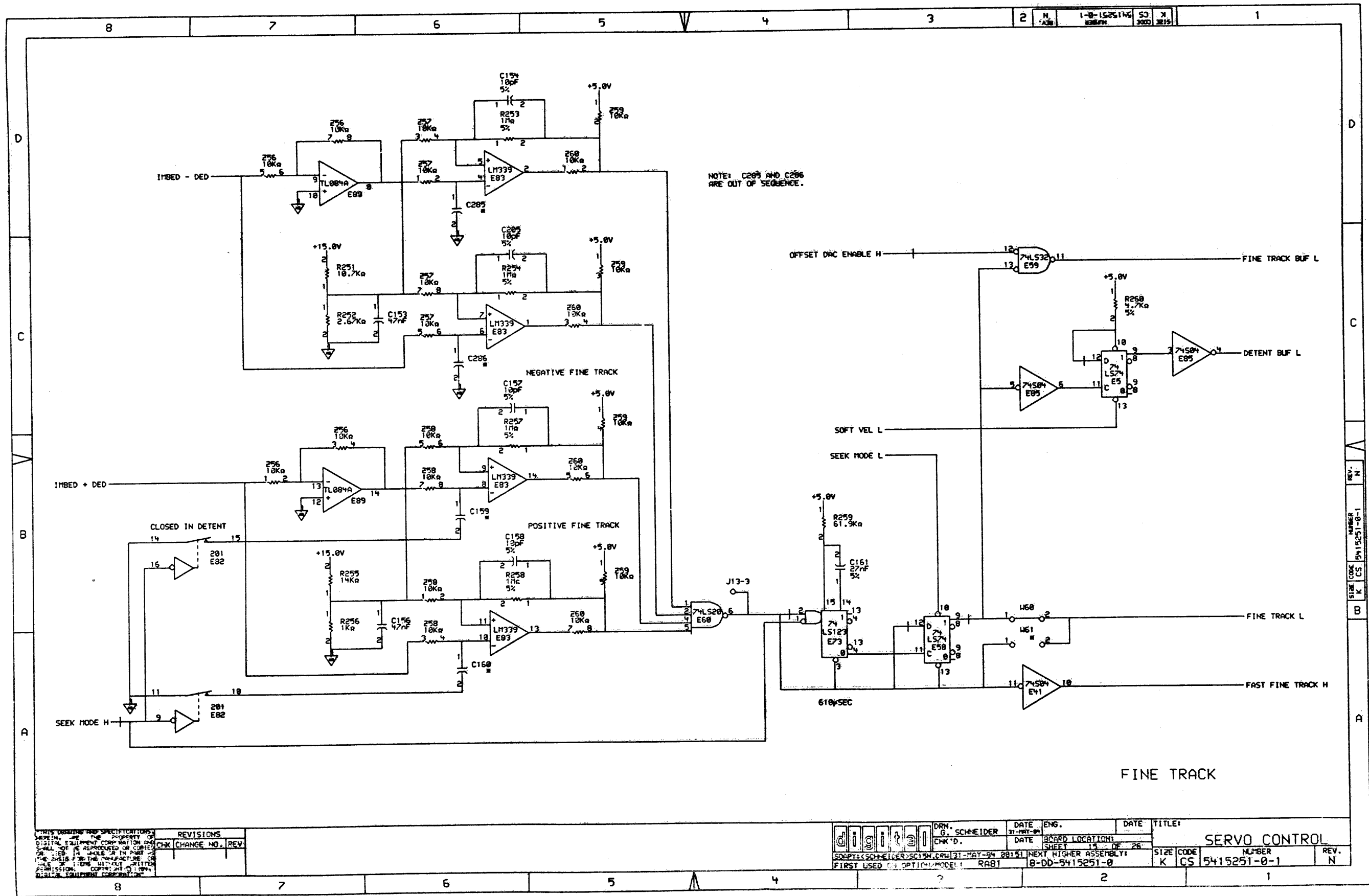
MOTOR DRIVER .5 AMP/VOLT

THIS DRAWING AND SPECIFICATIONS HEREIN ARE THE PROPERTY OF DIGITAL EQUIPMENT CORPORATION AND SHALL NOT BE REPRODUCED OR COPIED IN WHOLE OR IN PART AS THE BASIS FOR THE MANUFACTURE OR SALE OF ITEMS WITHOUT WRITTEN PERMISSION. COPYRIGHT © 1984, DIGITAL EQUIPMENT CORPORATION.

REVISIONS		
CHK	CHANGE NO.	REV

digital	DRN.	G. SCHNEIDER	DATE	31-MAY-84	ENG.		DATE		TITLE:	SERVO CONTROL
	CHK'D.		DATE		BOARD LOCATION:		SHEET	14	OF	26
FIRST USED ON OPTION/MODEL: RA81					NEXT HIGHER ASSEMBLY:		SIZE	CODE	NUMBER	REV.
					B-DD-5415251-0		K	CS	5415251-0-1	N

REV. N
NUMBER 5415251-0-1
SIZE CODE K CS



NOTE: C285 AND C286 ARE OUT OF SEQUENCE.

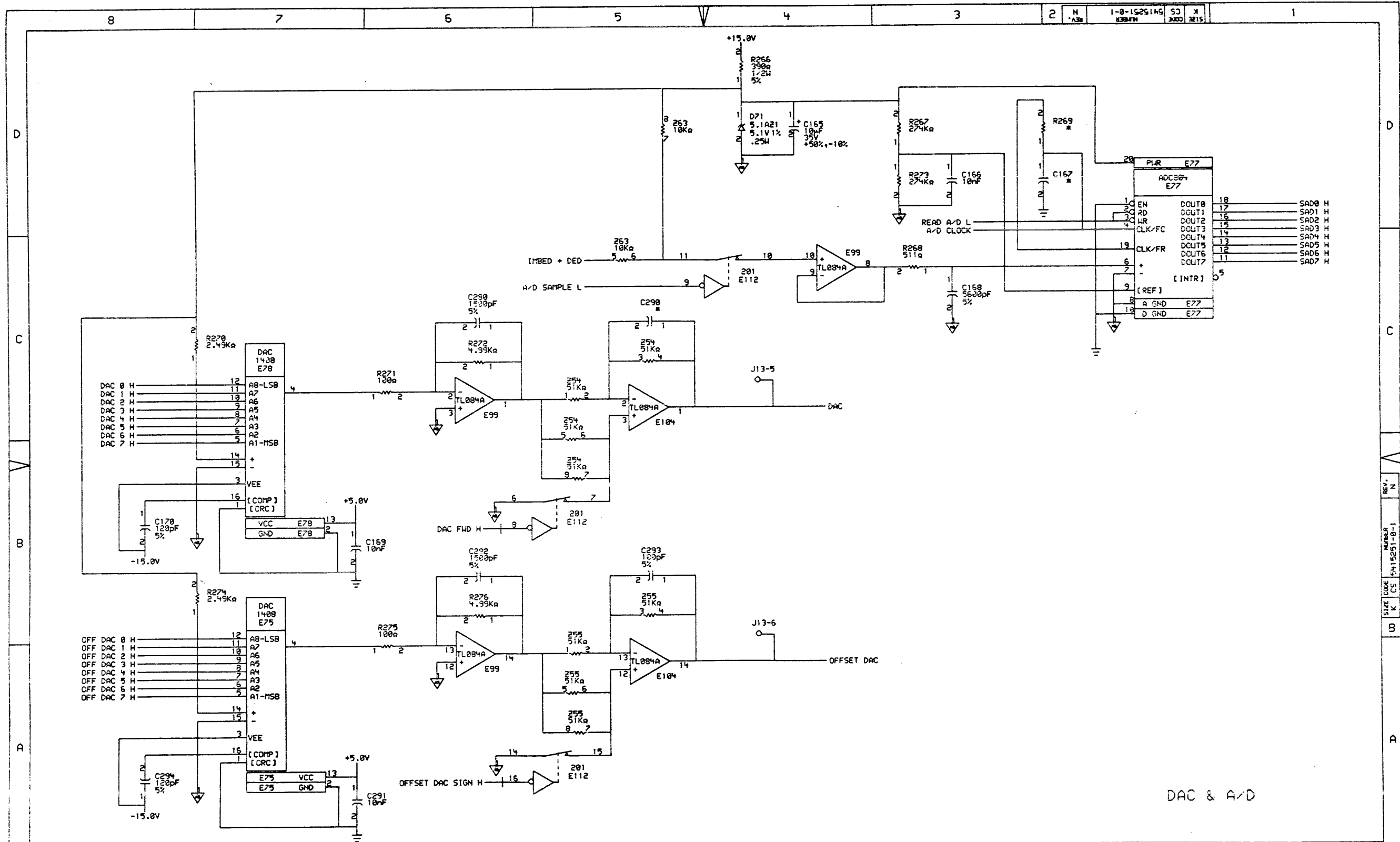
FINE TRACK

REV.	CHG	NO.	REV.

DATE	ENG.	DATE	TITLE
31-MAY-81	G. SCHNEIDER		SERVO CONTROL

DRN. G. SCHNEIDER	DATE 31-MAY-81	ENG.	DATE	TITLE
CHK'D.				
SHEET 15 OF 26		CARD LOCATION:		
NEXT HIGHER ASSEMBLY:		SIZE	CODE	NUMBER
RAB1		K	CS	5415251-0-1
FIRST USED (OPTION MODEL):		REV.		
		N		

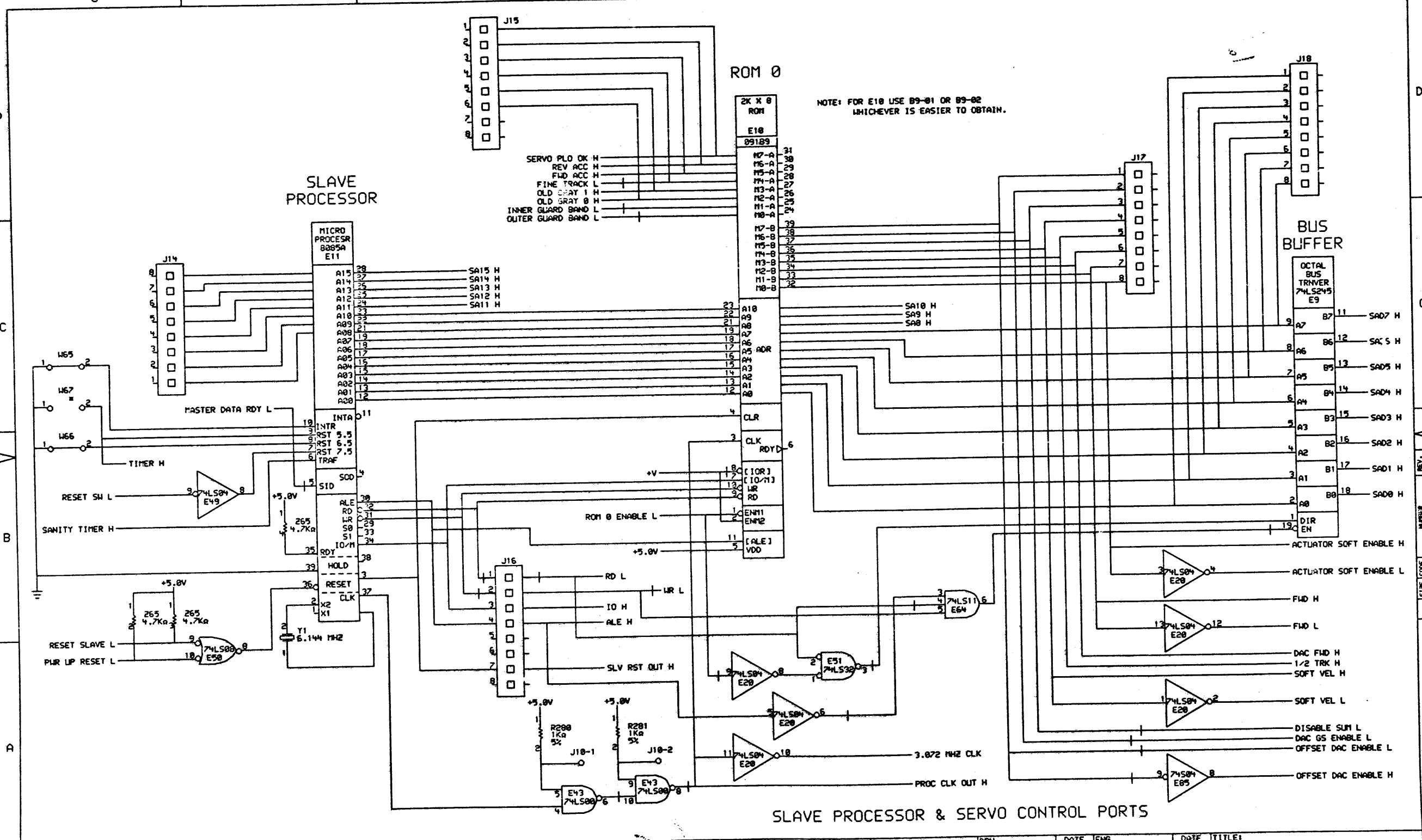
--	--	--	--	--

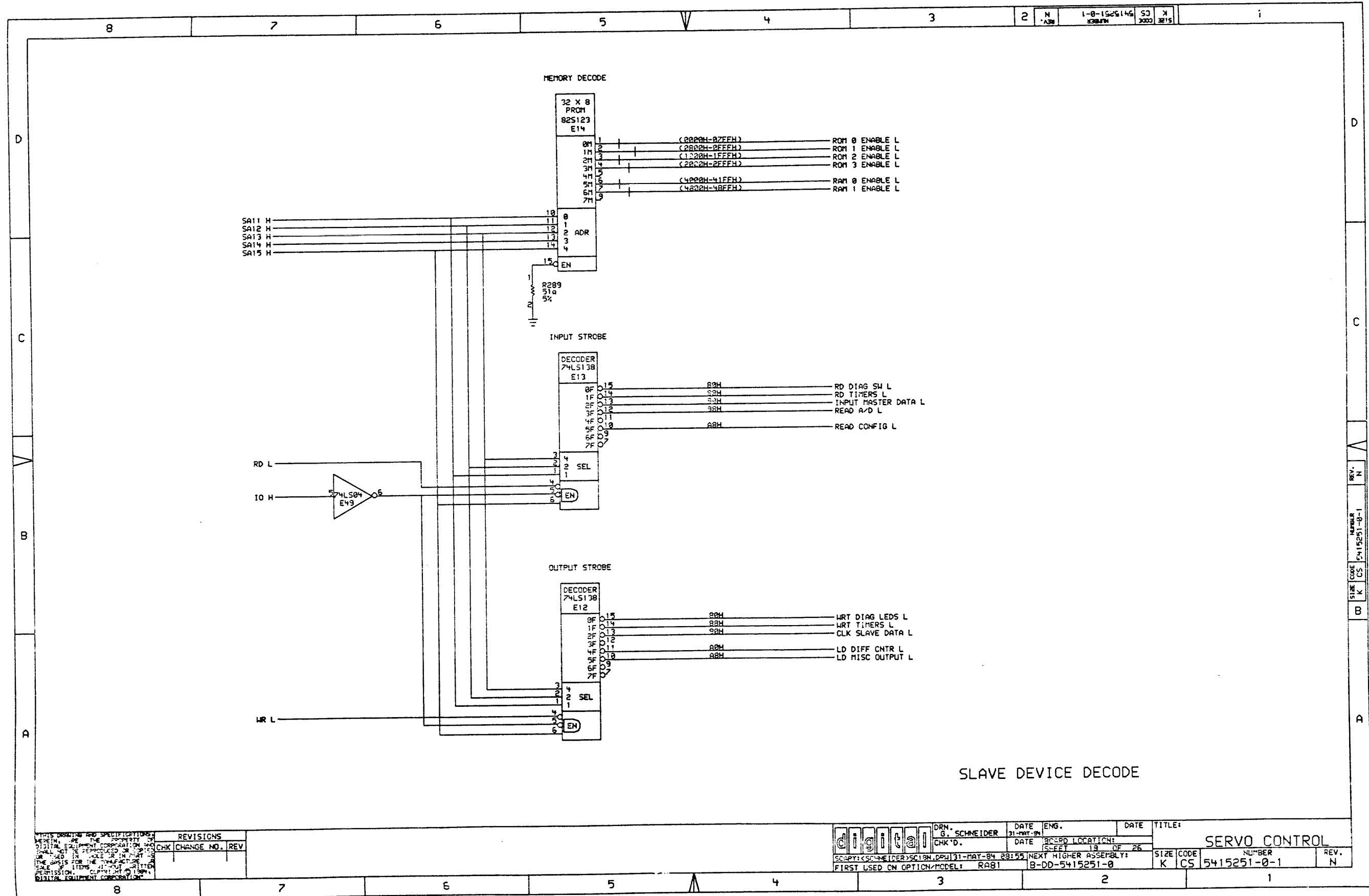


DAC & A/D

REVISIONS	
CHK	CHANGE NO. REV

DRN. G. SCHNEIDER	DATE 31-MAY-84	ENG.	DATE	TITLE: SERVO CONTROL
CHK'D.	DATE	BOARD LOCATION:	15 OF 25	SIZE CODE K CS
FIRST USED ON OPTION/MODEL: RAB1	39152 NEXT HIGHER ASSEMBLY: B-DD-5415251-0	NUMBER	5415251-0-1	REV. N





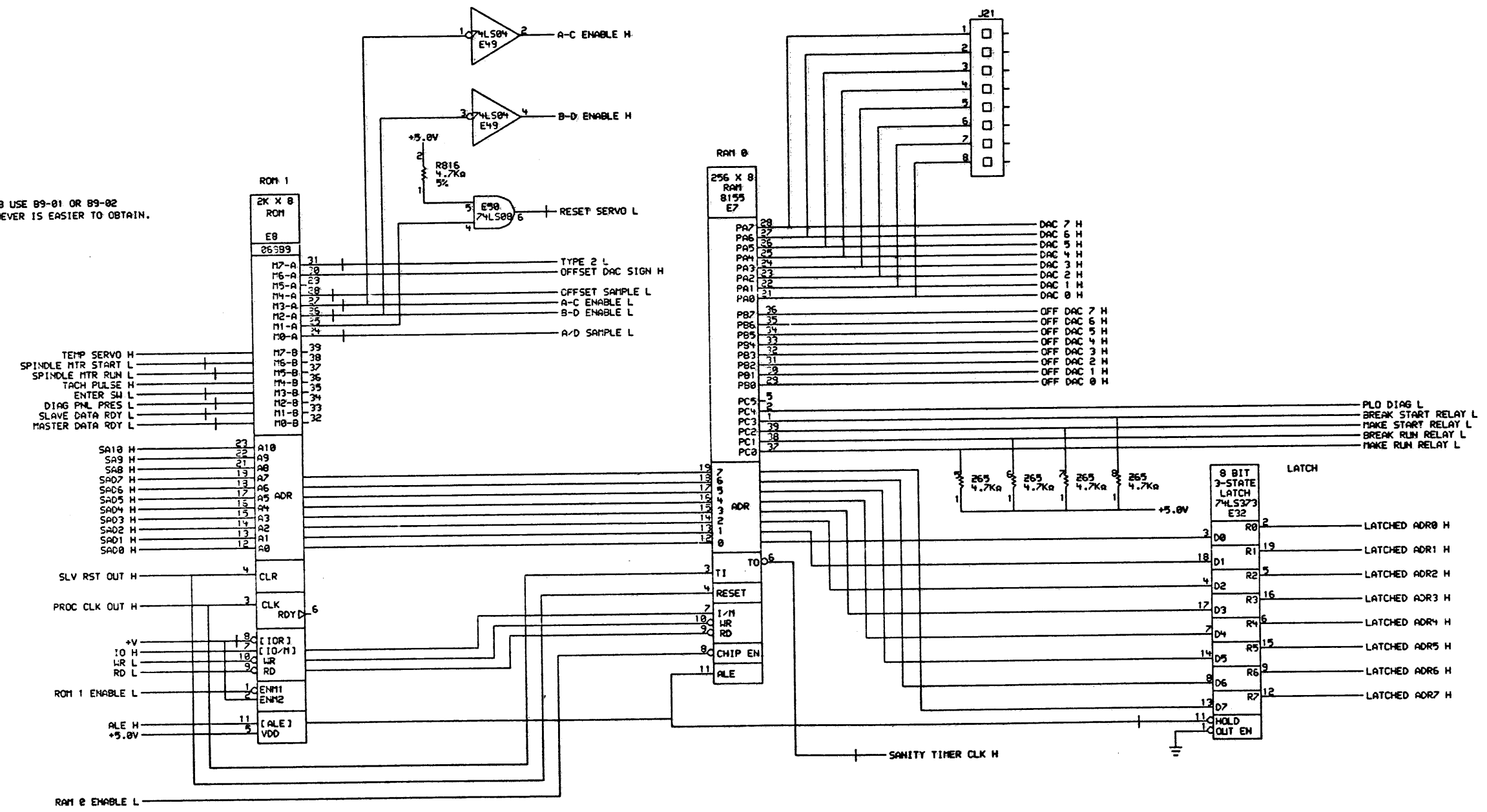
SLAVE DEVICE DECODE

ALL DIMENSIONS AND SPECIFICATIONS
HEREIN ARE THE PROPERTY OF
DIGITAL EQUIPMENT CORPORATION AND
SHALL NOT BE REPRODUCED OR
TRANSMITTED IN ANY FORM OR BY
ANY MEANS, ELECTRONIC OR
MECHANICAL, INCLUDING PHOTOCOPYING,
RECORDING, OR BY ANY INFORMATION
SYSTEMS WITHOUT WRITTEN
PERMISSION OF DIGITAL EQUIPMENT
CORPORATION.

REVISIONS	
CHK	CHANGE NO. REV

	DRN. SCHNEIDER	DATE 31-MAY-84	ENG.	DATE	TITLE:
	CHK'D.	DATE			SERVO CONTROL
SCAPT/KSCHNEIDER/SC128N.DRW/31-MAY-84 28:55		NEXT HIGHER ASSEMBLY:		SIZE CODE	NUMBER
FIRST USED ON OPTION/MODEL: RAB1		B-DD-5415251-0		K CS	5415251-0-1
					REV. N

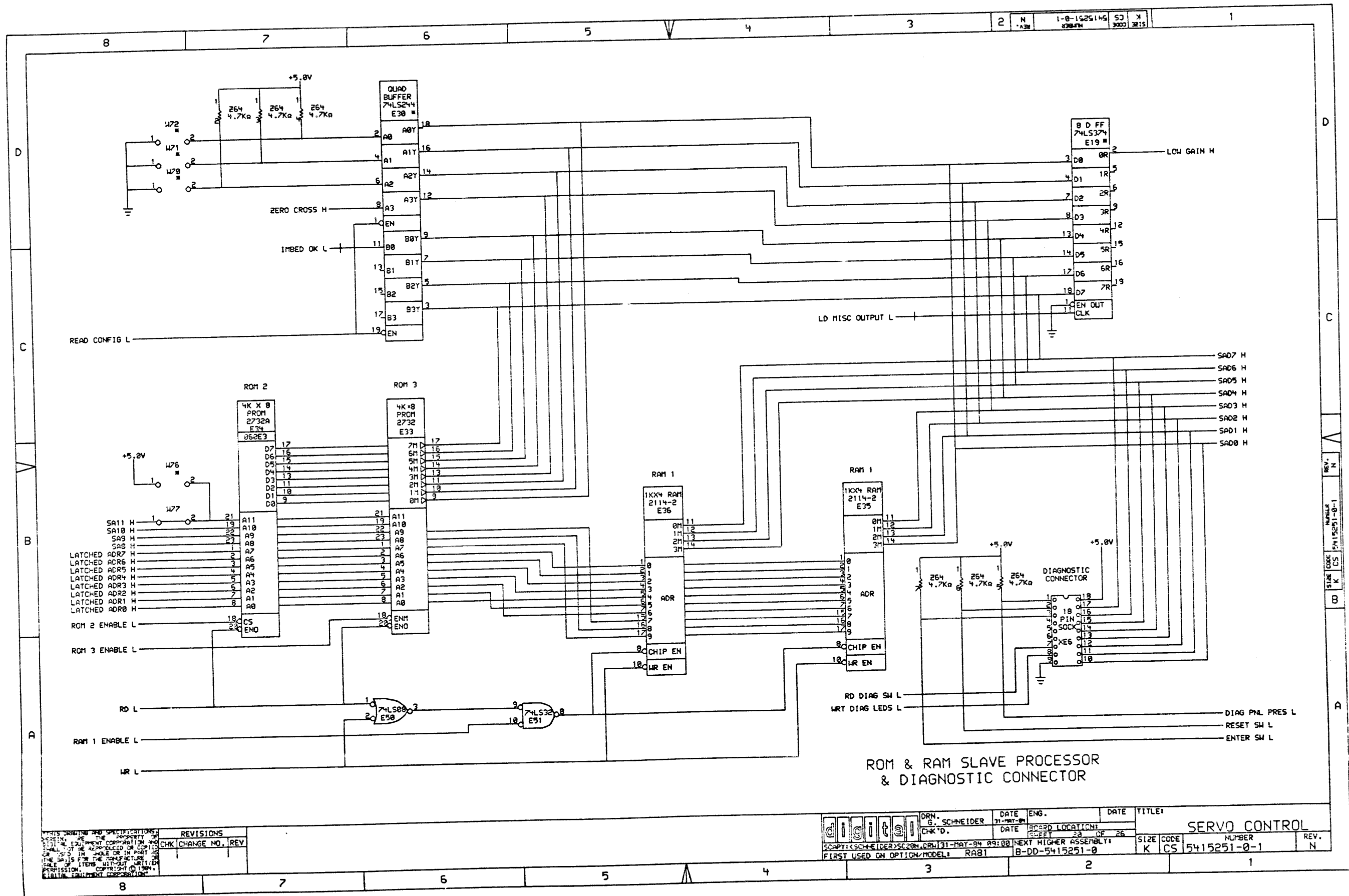
NOTE: FOR E8 USE B9-01 OR B9-02 WHICHEVER IS EASIER TO OBTAIN.



SLAVE PROCESSOR ROM AND RAM

REVISIONS	
CHK	CHANGE NO. REV

digital	DRN. SCHMEIDER	DATE 31-MAY-81	ENG.	DATE	TITLE: SERVO CONTROL
	CHK'D.	DATE	BOARD LOCATION: SHEET 19 OF 26	SIZE CODE K CS	NUMBER 5415251-0-1
COPY: SCHMEIDER/SC19N/RAU/31-MAY-81 08:52		NEXT HIGHER ASSEMBLY: RA01		B-DD-5415251-0	
FIRST USED ON OPTION MODEL: RA01				REV. N	



REV.	DATE	BY	CHK'D.
1	31-MAY-84	DRN. G. SCHNEIDER	

REV.	DATE	BY	CHK'D.
1	31-MAY-84	DRN. G. SCHNEIDER	

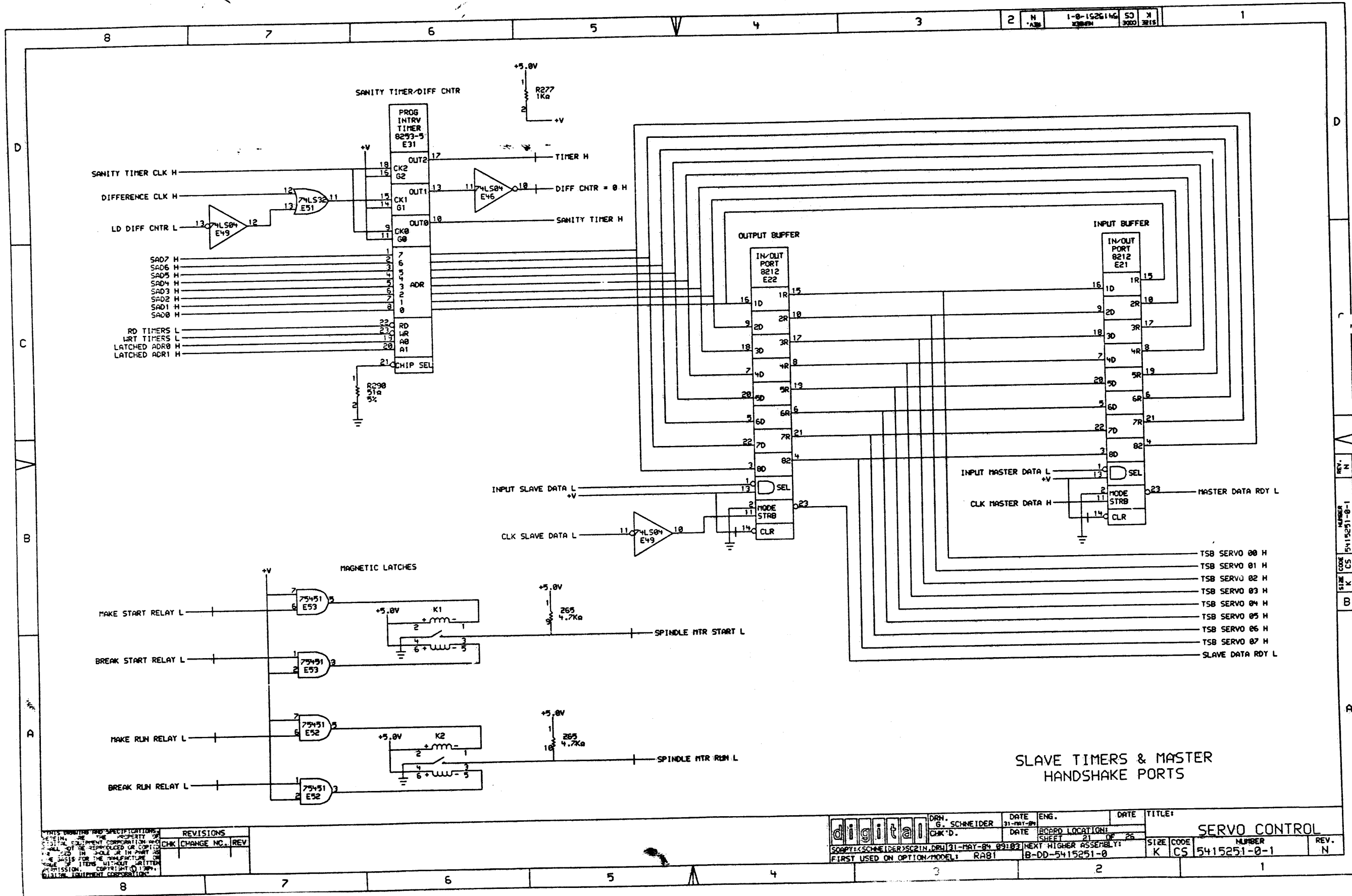
REV.	DATE	BY	CHK'D.
1	31-MAY-84	DRN. G. SCHNEIDER	

REV.	DATE	BY	CHK'D.
1	31-MAY-84	DRN. G. SCHNEIDER	

REV.	DATE	BY	CHK'D.
1	31-MAY-84	DRN. G. SCHNEIDER	

digit DRN. G. SCHNEIDER DATE 31-MAY-84
 DATE 31-MAY-84 BOARD LOCATION: 2A DE 26
 SCAPT: (SCHNEIDER) SC28N (DR) 31-MAY-84 09:00 NEXT HIGHER ASSEMBLY: 8-DD-5415251-0
 FIRST USED ON OPTION MODEL: RAB1

SERVO CONTROL
 SIZE CODE K CS
 NUMBER 5415251-0-1
 REV. N

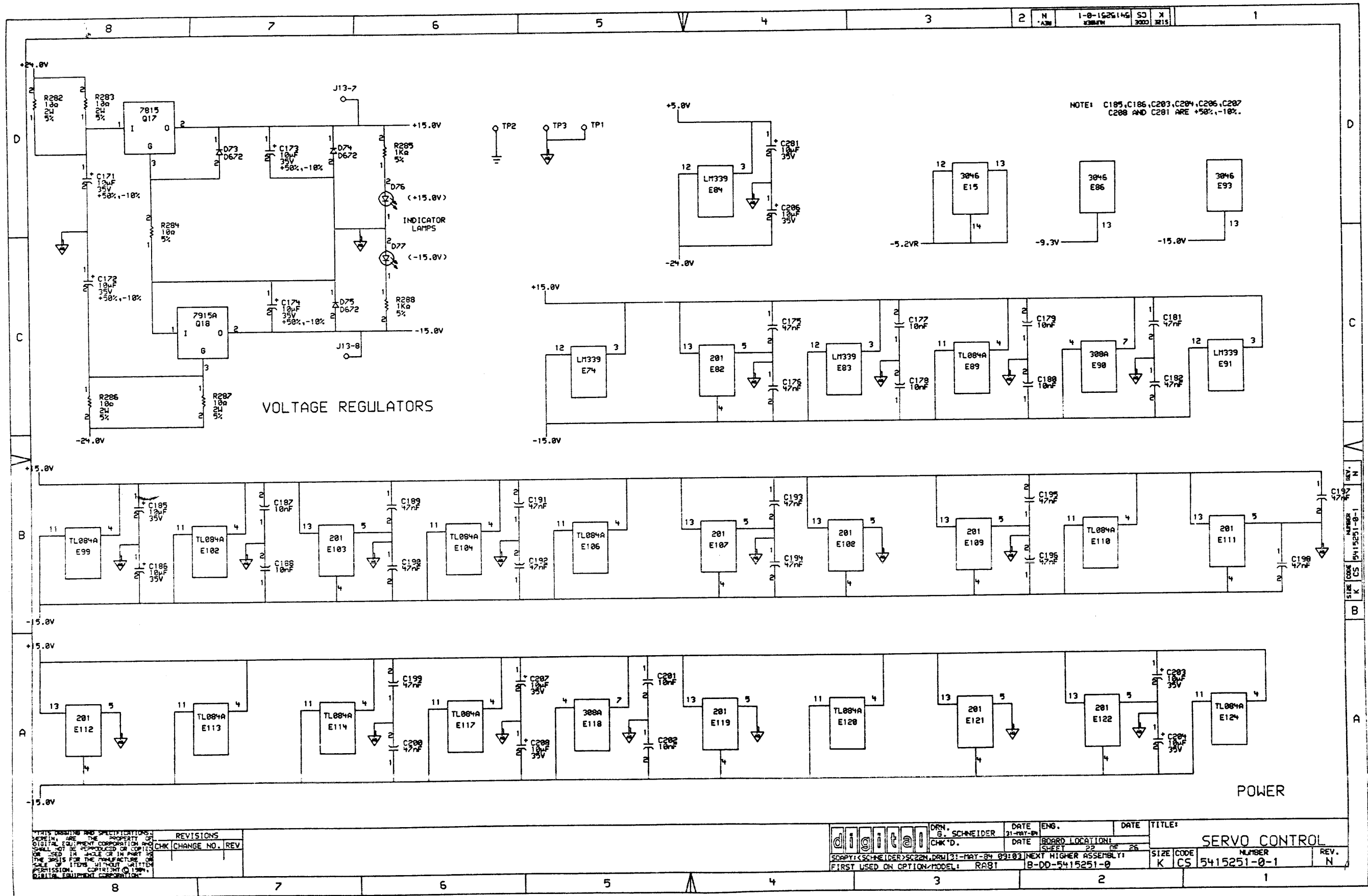


SLAVE TIMERS & MASTER HANDSHAKE PORTS

THIS DRAWING AND SPECIFICATIONS ARE THE PROPERTY OF DIGITAL EQUIPMENT CORPORATION AND SHALL NOT BE REPRODUCED OR COPIED IN WHOLE OR IN PART OR USED IN ANY MANNER AS THE BASIS FOR THE MANUFACTURE OF ANY ITEMS WITHOUT WRITTEN PERMISSION OF DIGITAL EQUIPMENT CORPORATION.

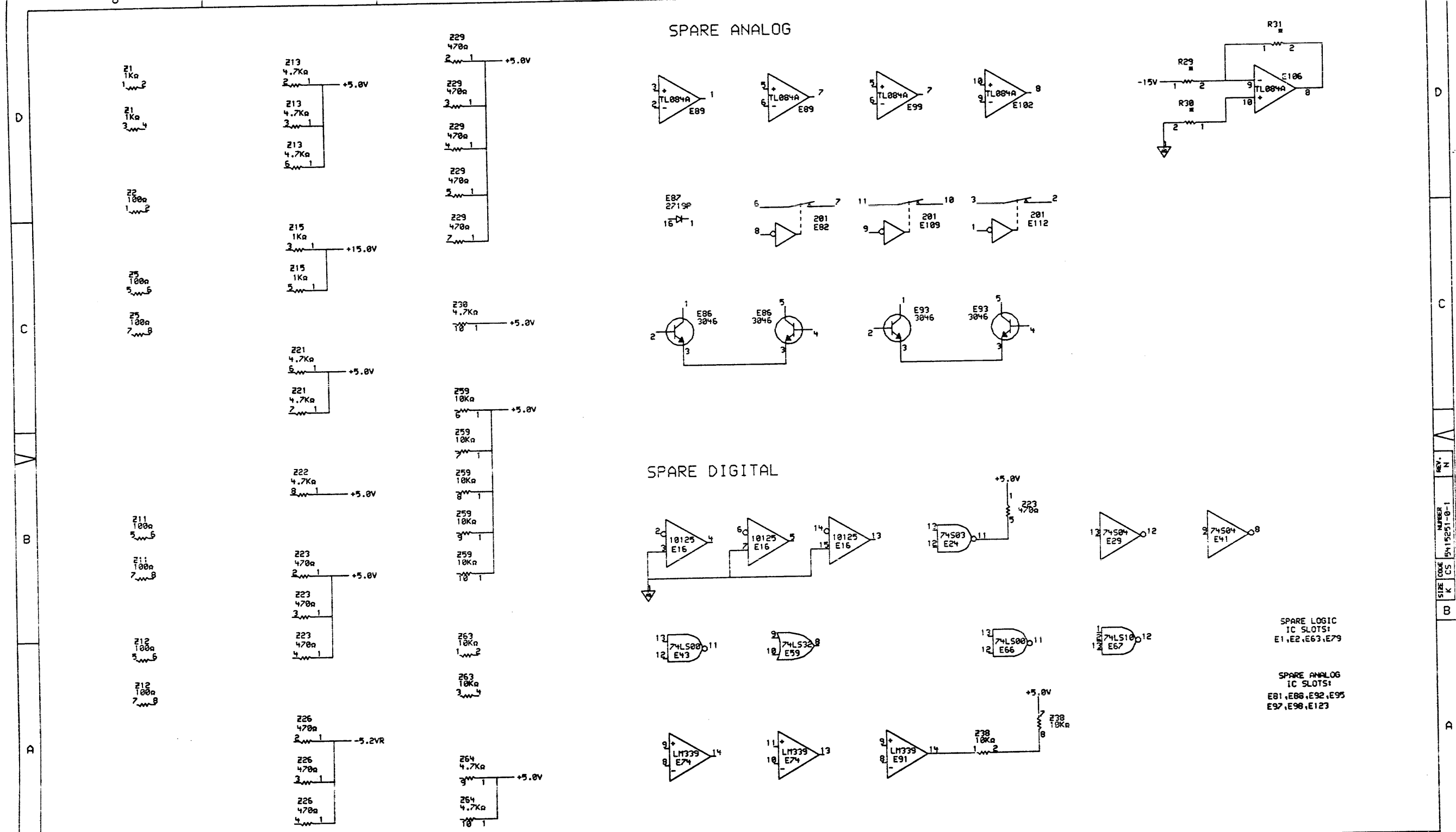
REVISIONS	
CHK	CHANGE NO. REV

digital	DRN. G. SCHNEIDER	DATE 31-MAY-84	ENG.	DATE	TITLE: SERVO CONTROL
	CHK'D.	DATE	BOARD LOCATION: SHEET 21 OF 26	SIZE CODE K CS	NUMBER 5415251-0-1
FIRST USED ON OPTION MODEL: RAB1		NEXT HIGHER ASSEMBLY: B-DD-5415251-0		REV. N	



NO.	REVISIONS	CHK	CHANGE NO.	REV

digit@l	DRN. SCHNEIDER	DATE 21-MAY-84	ENG.	DATE	TITLE: SERVO CONTROL
	CHK'D.	DATE	BOARD LOCATION: SHEET 22 OF 26	SIZE CODE: K CS	NUMBER: 5415251-0-1
COPY: (SCHNEIDER) SC22N.DRW.21-MAY-84 09:03 NEXT HIGHER ASSEMBLY: 8-DD-5415251-0			REV. N		



THIS DESIGN AND SPECIFICATIONS HEREIN ARE THE PROPERTY OF DIGITAL EQUIPMENT CORPORATION AND SHALL NOT BE REPRODUCED OR COPIED OR USED IN WHOLE OR IN PART AS THE BASIS FOR THE MANUFACTURE OR SALE OF ITEMS WITHOUT WRITTEN PERMISSION. COPYRIGHT © 1984 DIGITAL EQUIPMENT CORPORATION

REVISIONS	
CHK	CHANGE NO. REV

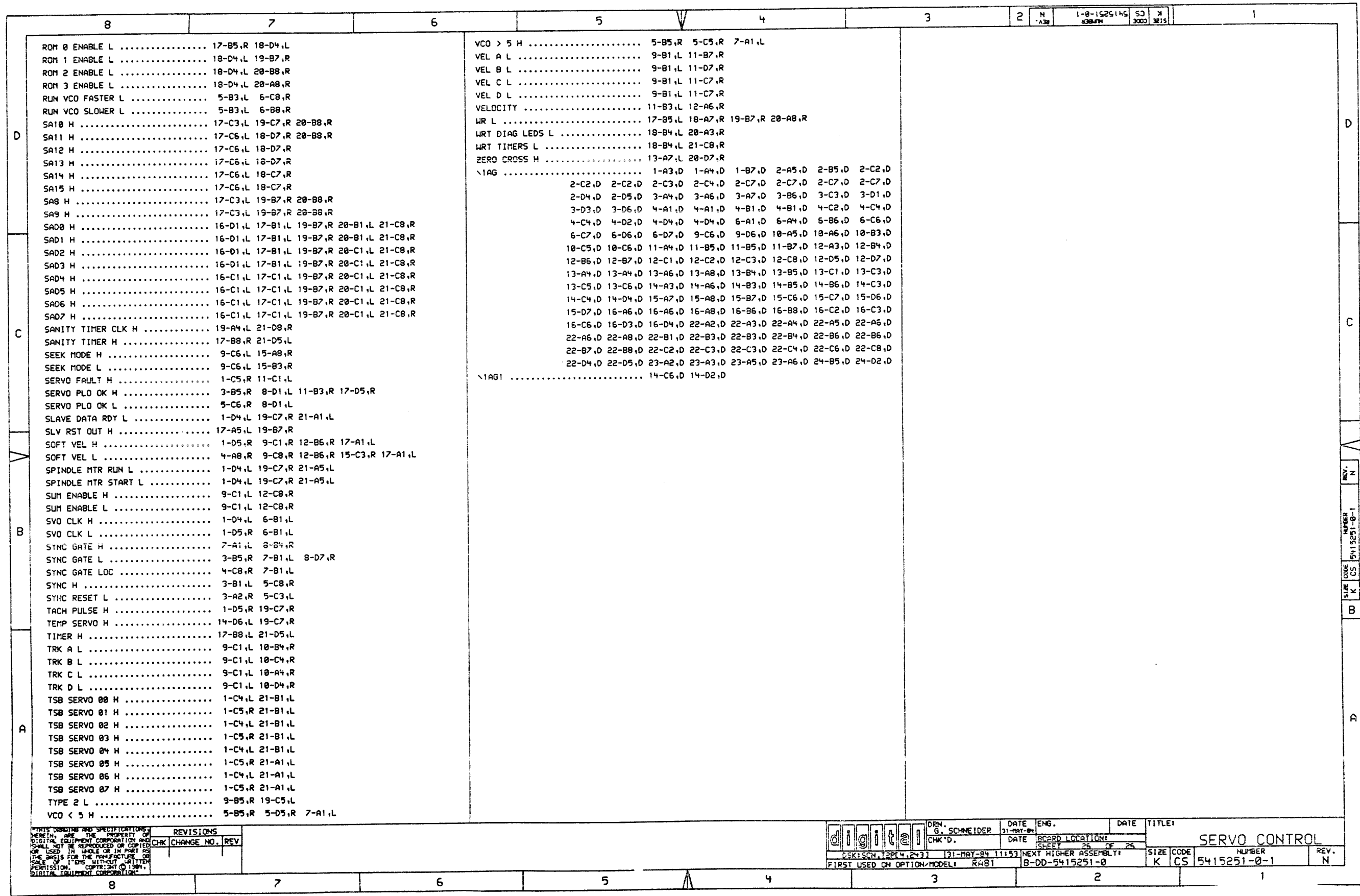
digital	DRN: SCHNEIDER	DATE: 31-MAY-84	ENG.	DATE	TITLE: SERVO CONTROL
	CHK'D:	DATE	RECORD LOCATION: SHEET 24 OF 25	SIZE: K CS	NUMBER: 5415251-0-1
COPY: CSCHEIDER/SCHN.DRW/31-MAY-84 09:02		NEXT HIGHER ASSEMBLY: B-DD-5415251-0		REV.:	N
FIRST USED ON OPTION/MODEL: RAB1					

REV. N
NUMBER 5415251-0-1
SIZE K
CODE CS

8		7		6		5		4		3		2		1					
Vertical location (A-D)												N		1-0-15251-0		CS		K	
Direction of line (Left, Right, Up, Down) or electrical (Input, Output, Both) or backplane pin (Pin)												DATE		DATE		TITLE:			
KEY: SS-VH,D												DRN. G. SCHNEIDER		31-MAY-84		SERVO CONTROL			
Schematic Sheet												CHK'D.		DATE		BOARD LOCATION:			
Horizontal location (1-8)												DATE		SHEET 24 OF 26		SIZE CODE NUMBER REV.			
+15.0V												OSK:SCN,1284,243		131-MAY-84 11:53		NEXT HIGHER ASSEMBLY:			
+24.0V												FIRST USED ON OPTION/MODEL:		RAB1		8-DD-5415251-0			
+24.0V RTN												SIZE		K		CS			
+5.0V												CODE		5415251-0-1		NUMBER			
+5.0V RTN												REV.		N					
+6.8V																			
+ACTUATOR																			
+HEX BIT																			
+HF FILTER																			
+V																			
-14.0V																			
-15.0V																			
-15V																			
-24.0V																			
-24.0V RTN																			
-5.1V																			
-5.2V																			
-5.2VR																			
-8.2V																			
-9.3V																			
-HF FILTER																			
1/2 TRK H																			
10MHZ CNTR CK H																			
3.072 MHZ CLK																			
A+B>C L																			
A+D>C+B L																			
A-C																			
A-C BUF																			
A-C ENABLE H																			
A-C ENABLE L																			
A/D CLOCK																			
A/D SAMPLE L																			
ACTUATOR ENABLE H																			
ACTUATOR RETURN																			
ACTUATOR SOFT ENABLE H																			
ACTUATOR SOFT ENABLE L																			
AGC A+C L																			
AGC B+D L																			
ALE H																			
B-D																			
B-D BUF																			
B-D ENABLE H																			
B-D ENABLE L																			
BREAK RUN RELAY L																			
BREAK START RELAY L																			
BYTE CLOCK L																			
C-A BUF																			
CLK MASTER DATA H																			
CLK SLAVE DATA L																			
CURRENT COMMAND																			
D-B BUF																			
DAC																			
DAC 0 H																			
DAC 1 H																			
DAC 2 H																			
DAC 3 H																			
DAC 4 H																			
DAC 5 H																			
DAC 6 H																			
DAC 7 H																			
DAC FWD H																			
DAC GS ENABLE L																			
DATA CODE MSG H																			
DETENT BUF L																			
DIAG PNL PRES L																			
DIFF CNTR = 0 H																			
DIFFERENCE CLK H																			
DISABLE SUM L																			
ENABLE DIFF CNTR CK H																			
ENTER SW L																			
ERROR L																			
EVEN TRACK H																			
EXTENDED SYNC H																			
FAST FINE TRACK H																			
FINE TRACK BUF L																			
FINE TRACK L																			
FWD ACC H																			
FWD H																			
FWD L																			
GRAND SUM																			
I LOCK IMBEDDED L																			
IMBED + DED																			
IMBED - DED																			
IMBED INNER																			
IMBED OK L																			
IMBED OUTER																			
IMBED RESET L																			
IMBED STROBE L																			
INDEX CLOCK H																			
INDEX DETECT L																			
INNER GUARD BAND L																			
INPUT MASTER DATA L																			
INPUT SLAVE DATA L																			
INTEGRATE RESET L																			
INTO HUB (UNUSED)																			
IO H																			
KEY																			
LATCHED ADDR0 H																			
LATCHED ADDR1 H																			
LATCHED ADDR2 H																			
LATCHED ADDR3 H																			
LATCHED ADDR4 H																			
LATCHED ADDR5 H																			
LATCHED ADDR6 H																			
LATCHED ADDR7 H																			
LD DIFF CNTR L																			
LD MISC OUTPUT L																			
LOAD PLO COUNTER L																			
LOW GAIN H																			
MAKE RUN RELAY L																			
MAKE START RELAY L																			
MASTER DATA RDY L																			
OFF DAC 0 H																			
OFF DAC 1 H																			
OFF DAC 2 H																			
OFF DAC 3 H																			
OFF DAC 4 H																			
OFF DAC 5 H																			
OFF DAC 6 H																			
OFF DAC 7 H																			
OFFSET DAC																			
OFFSET DAC ENABLE H																			
OFFSET DAC ENABLE L																			
OFFSET DAC SIGN H																			
OFFSET SAMPLE L																			
OLD GRAY 0 H																			
OLD GRAY 1 H																			
OUT OF HUB (UNUSED)																			
OUTER GUARD BAND L																			
PEAK A																			
PEAK B																			
PEAK C																			
PEAK D																			
PLO CLOCK																			
PLO DIAG L																			
POS A L																			
POS B L																			
POS C L																			
POS D L																			
POS DED																			
POSITION OFFSET H																			
PREAMP +																			
PREAMP -																			
PREAMP GND																			
PROC CLK OUT H																			
PWR UP RESET L																			
RAM 0 ENABLE L																			
RAM 1 ENABLE L																			
RD DIAG SW L																			
RD L																			
RD TIMERS L																			
READ A/D L																			
READ CONFIG L																			
RESET PLO 0 L																			
RESET SERVO L																			
RESET SLAVE L																			
RESET SW L																			
REV ACC H																			

REVISIONS	
CHK	CHANGE NO. REV

DRN. G. SCHNEIDER	DATE 31-MAY-84	EMG.	DATE	TITLE: SERVO CONTROL
CHK'D.	DATE	BOARD LOCATION:	SHEET 24 OF 26	NUMBER
OSK:SCN,1284,243	131-MAY-84 11:53	NEXT HIGHER ASSEMBLY:	SIZE CODE	REV. N
FIRST USED ON OPTION/MODEL: RAB1	8-DD-5415251-0		K CS	5415251-0-1



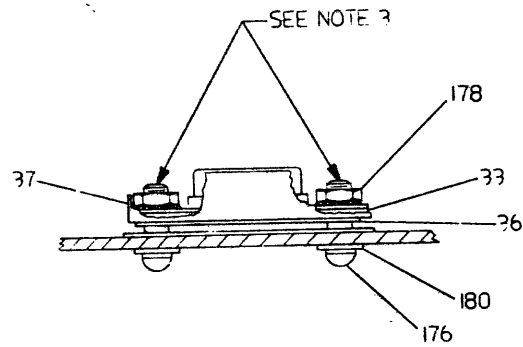
THIS DRAWING AND SPECIFICATIONS HEREBY ARE THE PROPERTY OF DIGITAL EQUIPMENT CORPORATION AND SHALL NOT BE REPRODUCED OR COPIED OR USED IN WHOLE OR IN PART AS THE BASIS FOR THE MANUFACTURE OR SALE OF ITEMS WITHOUT WRITTEN PERMISSION. COPYRIGHT © 1974 DIGITAL EQUIPMENT CORPORATION.

REVISIONS	
CHK	CHANGE NO. REV.

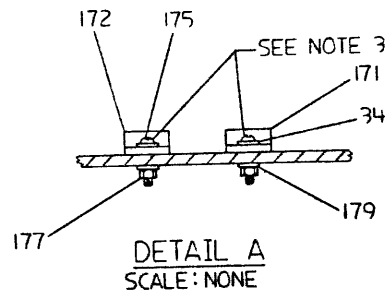
digital	DRN. G. SCHNEIDER	DATE 31-MAY-84	ENG.	DATE	TITLE: SERVO CONTROL
	CHK'D.	DATE	BOARD LOCATION: SHEET 26 OF 26	SIZE CODE K CS	NUMBER 5415251-0-1
FIRST USED ON OPTION/MODEL: RA81		NEXT HIGHER ASSEMBLY: B-DD-5415251-0		REV. N	

THIS DRAWING AND SPECIFICATIONS HEREBY ARE THE PROPERTY OF DIGITAL EQUIPMENT CORPORATION AND SHALL NOT BE REPRODUCED OR COPIED OR USED IN WHOLE OR IN PART AS THE BASIS FOR THE MANUFACTURE OR SALE OF ANY EQUIPMENT WITHOUT THE WRITTEN PERMISSION OF DIGITAL EQUIPMENT CORPORATION.
 © 1985 DIGITAL EQUIPMENT CORPORATION

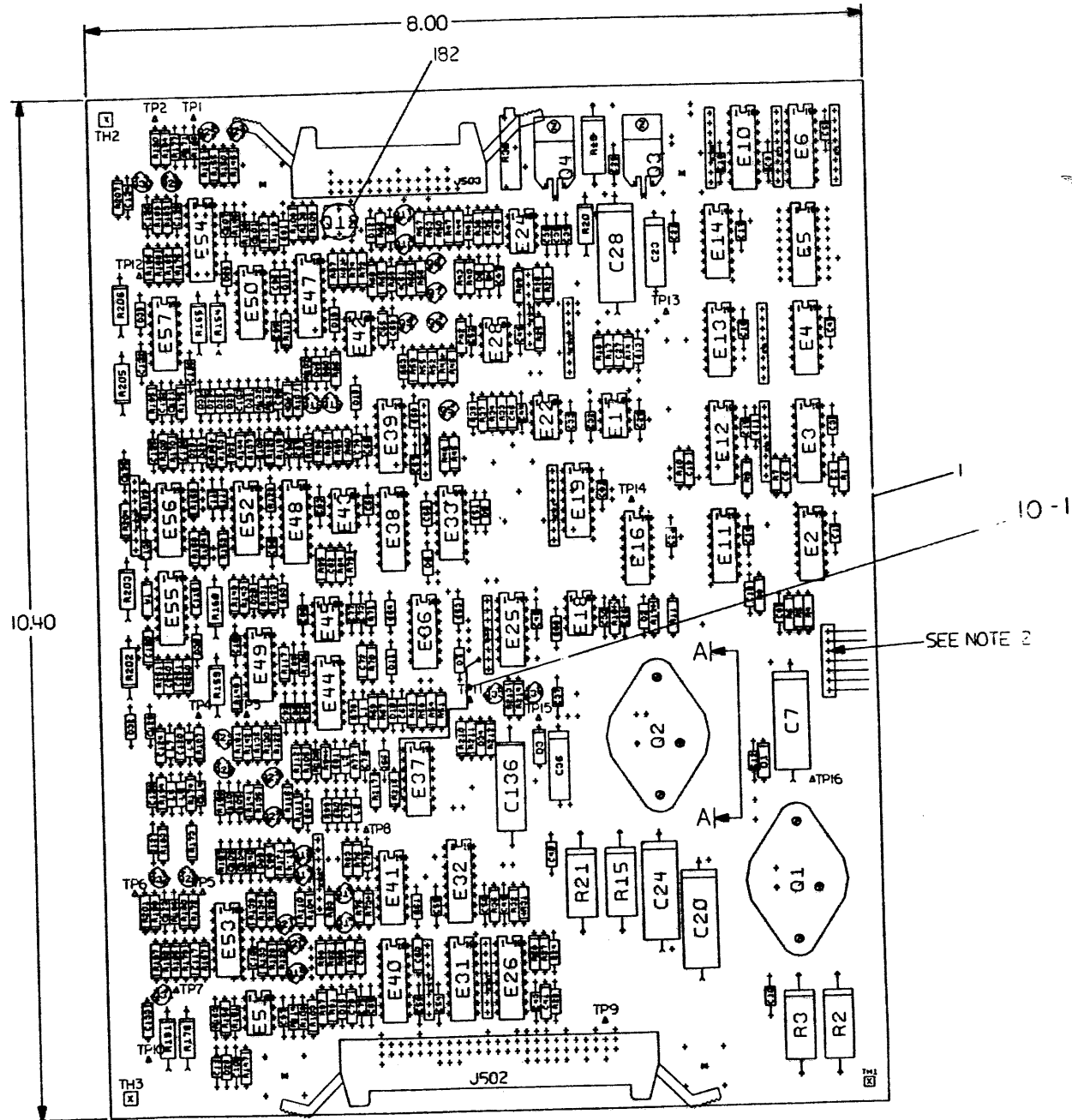
COMPONENT SIDE VIEW



SECTION A-A
2 PLCS (Q1 & Q2)



DETAIL A
SCALE: NONE



- NOTES: 1. E5, E27 ARE SPARES.
 2. CUT PIN 5 AS SHOWN.
 3. TORQUE HARDWARE TO 3.5±.5 IN. LBS.

STEP	DESCRIPTION	STEP	TIMES
E	→ Y AXIS		
REP	→ X AXIS		

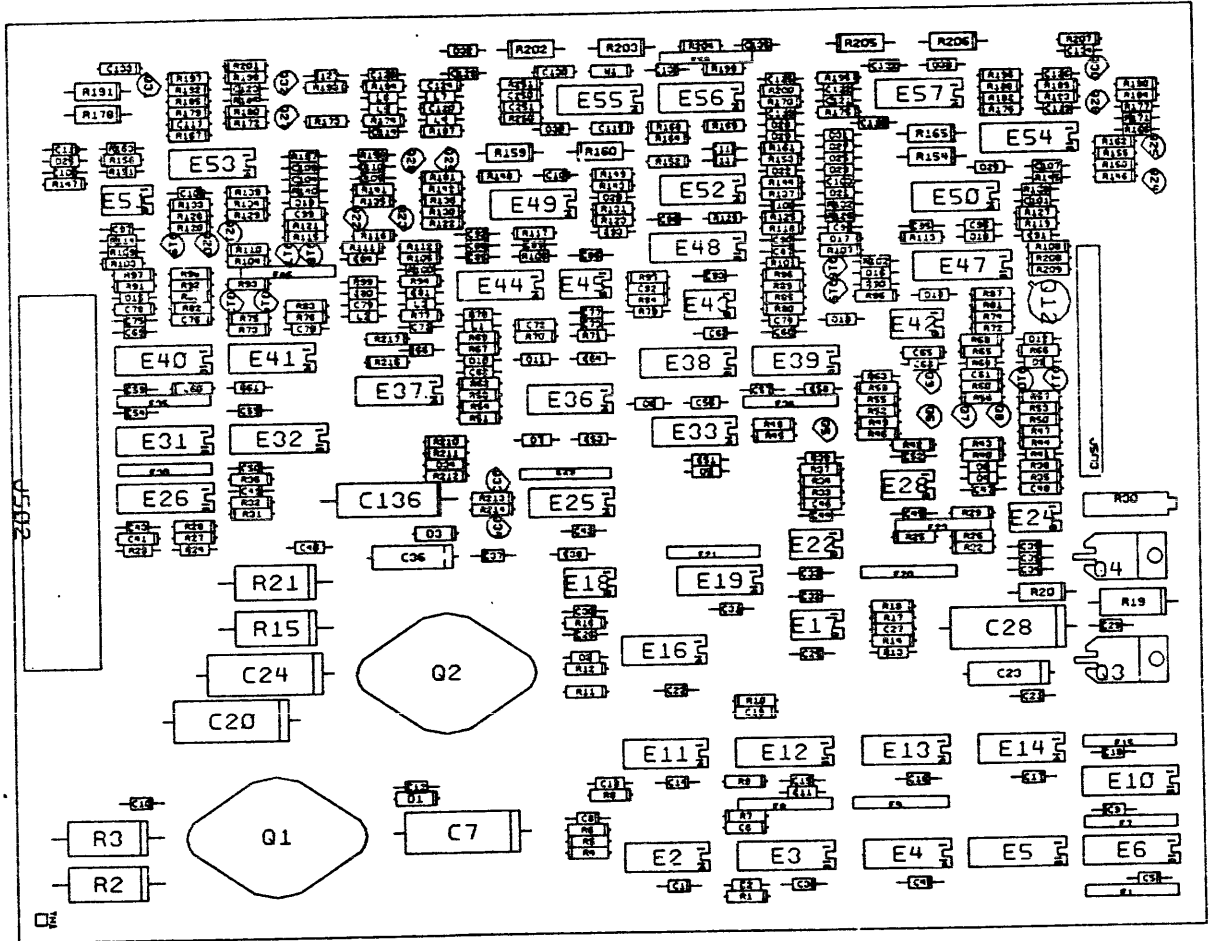
CHANGE NO	REV	DATE	BY	CHK	DESCRIPTION
0					INITIAL RELEASE
1					REVISION A

ETCH	REV	
------	-----	--

SIGNATURES		DATE	digital
DRN. W. [Signature]			
CHK. D. [Signature]			
TECH. ENG. [Signature]			
PROJ. ENG. [Signature]			
PROD. [Signature]			
SCALE: 1.5/1			
SHT. 1 OF 3			
NEXT HIGHER ASSY: K-00-545253-3-C			
TITLE		NUMBER	REV
READ/WRITE		0	1
UA 545253-0-C			

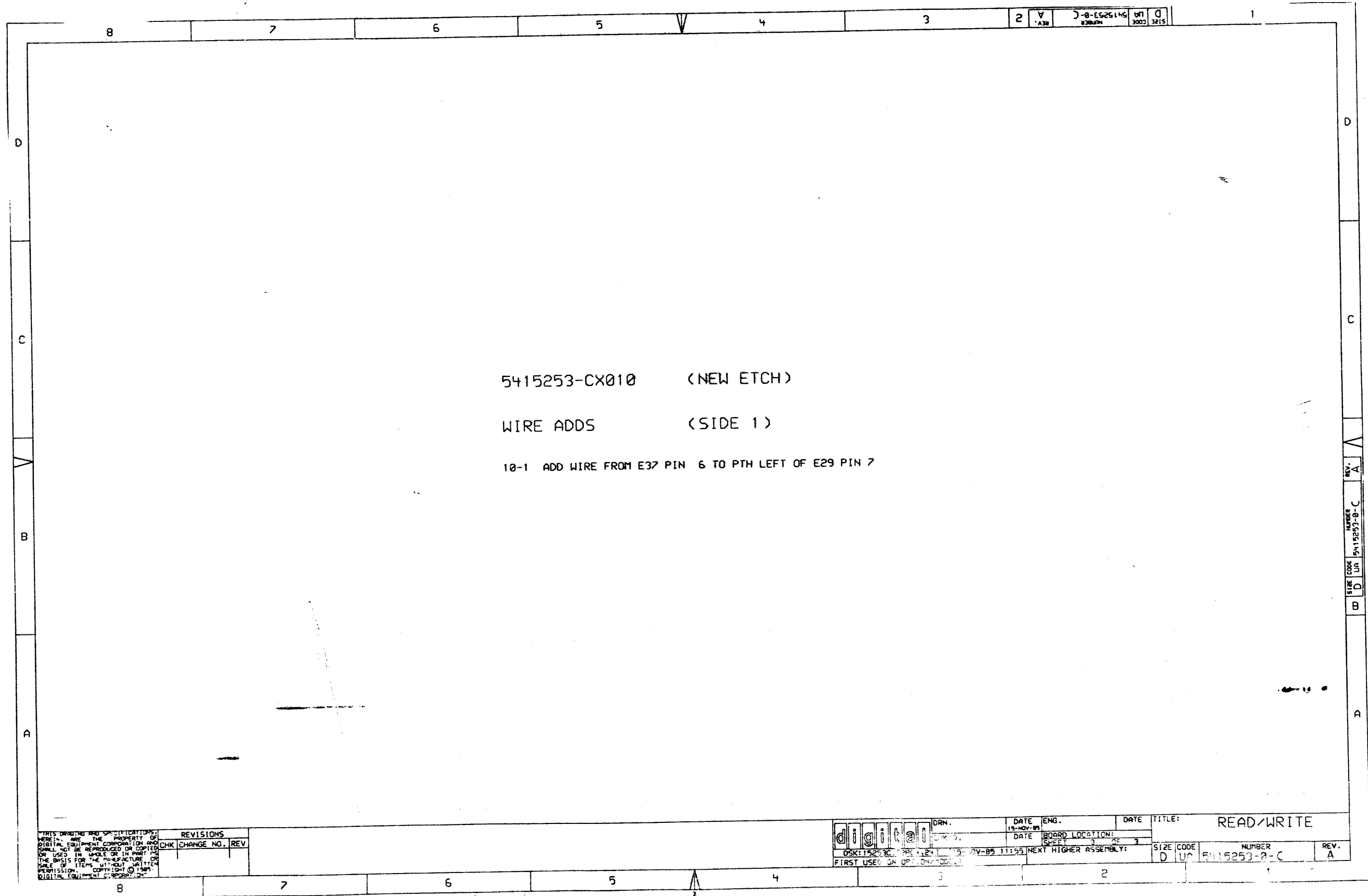
MS# 290082C

THIS DRAWING AND SPECIFICATIONS HEREIN ARE THE PROPERTY OF DIGITAL EQUIPMENT CORPORATION AND SHALL NOT BE REPRODUCED OR COPIED OR USED IN WHOLE OR IN PART AS THE BASIS FOR THE MANUFACTURE OR SALE OF ITEMS WITHOUT WRITTEN PERMISSION.
 © 1965 DIGITAL EQUIPMENT CORPORATION



REVISIONS		
CHK	CHANGE NO	REV

TITLE	READ/WRITE	SIZE CODE	D UA	NUMBER	5415253-0-C	REV	A
SCALE	15/1	SHEET	2	OF	3	DIST	



5415253-CX010 (NEW ETCH)

WIRE ADDS (SIDE 1)

10-1 ADD WIRE FROM E37 PIN 6 TO PTH LEFT OF E29 PIN 7

PRINTS, DRAWINGS AND SPECIFICATIONS
HEREIN ARE THE PROPERTY OF
DIGITAL EQUIPMENT CORPORATION AND
SHALL NOT BE REPRODUCED OR COPIED
OR USED IN WHOLE OR IN PART AS
THE BASIS FOR THE MANUFACTURE OR
SALE OF ITEMS WITHOUT WRITTEN
PERMISSION. COPYRIGHT © 1985
DIGITAL EQUIPMENT CORPORATION

REVISIONS	
CHK	CHANGE NO. REV

digital DSK: 115253C FIRST USED ON OPTION 1000000	DRN.	DATE 19-NOV-85	ENG.	DATE	TITLE: READ/WRITE
	DATE 19-NOV-85	BOARD LOCATION: SHEET 3 OF 3	DATE	DATE	DATE
NEXT HIGHER ASSEMBLY:				SIZE CODE D UC	NUMBER 5415253-2-C
				REV. A	

AUTOMATED BY VAXKPL (V1.1)

PARTS LIST

SHEET A1 OF A5

LINE	ITEM	TOP DOCUMENT	PART NUMBER	MIN REV	DESCRIPTION	QTY PER VAR/REV	REFERENCE DESIGNATORS
1	1	K-DD-5015252-0-C	50-15252-00	C	DRILL & ETCH CUT BRD.	1	
2	2		10-01610-00	.01	MFD 50V +80-20% Z5U CER	90	C1,C3-C5,C8-C10,C12,C14-C18, CONT C21,C22,C25,C26,C29-C35,C37, CONT C39,C40,C42-C45,C47,C49-C57, CONT C59,C60,C62-C64,C66-C69,C71, CONT C75-C78,C83,C85-C92,C94-C101, CONT C105-C108,C110-C113,C115,C116, CONT C127,C129-C135 C13,C118,C125 C41,C73 C65,C102,C123 C120,C124 C27,C46,C48 C80,C84,C104,C109 C2 C19 C38 C61,C70,C117 C121,C122 C72 C114,C128 C93 C6,C11,C53,C74,C82 C79,C81 C103 C119,C126 C7,C20,C24,C28 C23,C36,C136 D31,D33 D19 D15 D1,D3
3	3		10-12783-00	.022	MFD 50V +80-20% CER	3	
4	4		10-13466-01	10.0	MMF 50V 5% CER	2	
5	5		10-13466-04	33.0	MMF 50V 5% CER	3	
6	6		10-13466-05	56.0	MMF 50V 5% CER	2	
7	7		10-13466-07	220.0	MMF 50V 5% CER	3	
8	8		10-13466-09	1000.0	MMF 50V 10% X7R CER	4	
9	9		10-13466-12	2200.0	MMF 50V 10% X7R CER	1	
10	10		10-13466-17	150.0	MMF 50V 5% CER	1	
11	11		10-13466-18	330.0	MMF 50V 5% CER	1	
12	12		10-13466-22	.1	MFD 50V +80-20% Z5U CER	3	
13	13		10-13466-23	22.0	MMF 50V 5% CER	2	
14	14		10-13466-26	120.0	MMF 50V 5% CER	1	
15	15		10-13466-32	12.0	MMF 50V 5% CER	2	
16	16		10-13466-34	4700.0	MMF 50V 5% X7R CER	1	
17	17		10-13466-36	1000.0	MMF 50V 2% NPO CER	5	
18	18		10-13466-39	150.0	MMF 50V 2% NPO CER	2	
19	19		10-13466-44	8200.0	MMF 50V 5% X7R CER	1	
20	20		10-15573-00	.027	MFD 50V 5% CER	2	
21	21		10-16555-00	22	MFD 50V +50-10% AL EL	4	
22	22		10-17472-00	10	MFD 35V +75-10% AL EL	3	
23	23		11-02808-00	VZ= 5.6	5% 400 MW 1N752A	2	
24	24		11-03441-00	VZ= 8.2	5% 400 MW 1N756A	1	
25	25		11-05508-00	VZ= 6.2	5% 400 MW 1N823	1	
26	26		11-05796-00	PIV= 400	I0= 1.00A 1N4004 DO-41	2	

REVISION HISTORY		KPL MODULE FORMAT		SECTION A OF A DRN:		SUE BOURBEAU		DIGITAL	
ENG	ECO NUMBER	REV	SECTION/VARIATION INDEX	CHK'D:	DATE:	TITLE	PARTS LIST	SIZE	CODE
	5415253-CX011	B	[A] 00 [M]	SUE BOURBEAU	14-DEC-85	READ/WRITE			
			[B] [N]	FRANK PINTERIC	14-DEC-85				
			[C] [P]	FRANK PINTERIC	14-DEC-85				
			[D] [Q]	FRANK PINTERIC	14-DEC-85				
			[E] [R]	FRANK PINTERIC	14-DEC-85				
			[F] [S]	MARTY REAGAN	14-DEC-85				
			[G] [T]						
			[H] [U]						
			[I] [V]						
			[J] [W]						
			[K] [X]						
			[L] [Y]						
BASIC PART NUMBER:		ASSEMBLY NUMBER:		TOP DOCUMENT NUMBER:		FILE NAME:		EDIT #	
5415253		D-UA-5415253-0-C		K-DD-5415253-0-C		CX321B.PLS		5	

"THIS DRAWING AND THE SPECIFICATIONS CONTAINED HEREIN ARE CONFIDENTIAL AND PROPRIETARY. THEY ARE THE PROPERTY OF DIGITAL EQUIPMENT CORPORATION AND SHALL NOT BE REPRODUCED OR COPIED OR USED IN WHOLE OR IN PART AS THE BASIS FOR THE MANUFACTURE OR SALE OF ITEMS WITHOUT WRITTEN PERMISSION. THIS IS AN UNPUBLISHED WORK PROTECTED UNDER THE FEDERAL COPYRIGHT LAWS."

*** DOCUMENT CONVERTED TO VAX ***

LINE	ITEM	TOP DOCUMENT	PART NUMBER	MIN REV	DESCRIPTION	QTY PER VAR/REV	REFERENCE DESIGNATORS
						00 H1	
27	27		11-05871-00		VZ= 5.15 1% 250 MW	4	D10,D14,D17,D26
28	28		11-09991-00		VZ= 6.8 5% 400 MW 1N754A	1	D30
29	29		11-10994-00		VZ= 5.1 5% 400 MW 1N751A	7	D5,D7,D8,D11,D18,D24,D32
30	30		11-13003-00		PIV= 55 IO=200 MA - 4NS 1N5282	16	D2,D4,D6,D9,D12,D13,D16, CONT D20-D23,D25,D27-D29,D34
31	31		12-12518-11		*** THIS ITEM IS NOT USED ***	-	
32	32		12-12965-03		PCB,HEADER 26PIN(2X13).100CC 90D	1	J503
33	33		12-13071-02		INSULATOR,RUBBER SILICONE SM	2	
34	34		12-13071-06		INSULATOR,RUBBER SILICONE	2	
35	35		12-14434-00		PCB,HEADER 07PIN(1X06).100CC 90D	1	J501
36	36		12-15580-00		INSULATOR,MOLDED	2	
37	37		12-16471-01		HEAT SINKS,T0-3/T0-66 1.531X1.25	2	
38	38		12-16832-03		PCB,HEADER 50POS(2X25).100CC 90D	1	J502
39	39		13-00197-00		33.0 .25 W 5.0 % CF	2	R146,R155
40	40		13-00202-00		47.0 .25 W 5.0 % CF	2	R89,R96
41	41		13-00229-00		100.0 .25 W 5.0 % CF	19	R42,R94,R105,R122,R130,R135, CONT R141,R169,R173,R176,R181,R184, CONT R187,R190,R193,R196,R197,R199, CONT R212
42	42		13-00250-00		150.0 .25 W 5.0 % CF	1	R36
43	43		13-00295-00		330.0 .25 W 5.0 % CF	1	R46
44	44		13-00296-00		330.0 .50 W 5.0 % CF	2	R159,R160
45	45		13-00308-00		390.0 .50 W 5.0 % CF	4	R154,R165,R205,R206
46	46		13-00316-00		470.0 .25 W 5.0 % CF	6	R4,R5,R48,R49,R68,R113
47	47		13-00365-00		1.0 K .25 W 5.0 % CF	2	R23,R24
48	48		13-00391-00		1.50 K .25 W 5.0 % CF	1	R11
49	49		13-00426-00		2.70 K .25 W 5.0 % CF	1	R52
50	50		13-00432-00		3.0 K .25 W 5.0 % CF	2	R8,R214
51	51		13-00439-00		3.30 K .25 W 5.0 % CF	1	R55
52	52		13-00539-00		120.0 K .25 W 5.0 % CF	1	R149
53	53		13-01317-00		10.0 .25 W 5.0 % CF	1	R12
54	54		13-01320-00		1.20 K .25 W 5.0 % CF	1	R45
55	55		13-01423-00		6.80 K .25 W 5.0 % CF	1	R85
56	56		13-01477-00		82.0 .25 W 5.0 % CF	4	R6,R31,R32,R207
57	57		13-01969-00		22.0 .25 W 5.0 % CF	1	R65
58	58		13-19470-06		5.10 1.0 W 5.0 % M.OXIDE	1	R19
59	59		13-02377-00		39.0 .25 W 5.0 % CF	2	R79,R84
60	60		13-02381-00		200.0 .50 W 5.0 % CF	2	R178,R191
61	61		13-02411-00		511.0 .25 W 1.0 % RN55D-F10	6	R75,R91,R115,R121,R136,R142
62	62		13-02612-00		1.78 K .25 W 1.0 % RN55D-F10	1	R26
63	63		13-02644-00		226.0 .25 W 1.0 % RN55D-F10	1	R22
64	64		13-02685-00		909.0 .25 W 1.0 % RN55D-F10	1	R87
65	65		13-02858-00		100.0 .25 W 1.0 % RN55D-F10	11	R56,R59,R72,R80,R82,R93,R104, CONT R110,R120,R128,R129
66	66		13-02873-00		261.0 .25 W 1.0 % RN55D-F10	1	R73
67	67		13-02874-00		147.0 .25 W 1.0 % RN55D-F10	1	R92
68	68		13-02931-00		49.90 .25 W 1.0 % RN55D-F10	2	R150,R162
69	69		13-04805-00		750.0 .25 W 1.0 % RN55C-F 5	2	R99,R100
70	70		13-02956-00		196.0 .25 W 1.0 % RN55D-F10	3	R61,R175,R195
71	71		13-03037-00		90.90 .25 W 1.0 % RN55D-F10	1	R37

D I G I T A L										TITLE	SECTION A OF A		SIZE	CODE	DOCUMENT NUMBER	REV
										READ/WRITE			K	PL	5415253-0-DBPC	B

LINE	ITEM	TOP DOCUMENT	PART NUMBER	MIN REV	DESCRIPTION	QTY PER VAR/REV	REFERENCE DESIGNATORS
						00 H1	
72	72		13-03045-00	3.16 K	.25 W 1.0 % RN55D-F10	3	R126,R157,R158
73	73		13-03047-00	464.0	.25 W 1.0 % RN55D-F10	1	R25
74	74		13-03064-00	75.0	.25 W 1.0 % RN55D-F10	2	R62,R74
75	75		13-03067-00	422.0	.25 W 1.0 % RN55D-F10	2	R134,R139
76	76		13-03114-00	1.0 K	.25 W 1.0 % RN55D-F10	7	R50,R53,R66,R81,R86,R182,R188
77	77		13-03312-00	10.0 K	.25 W 1.0 % RN55D-F10	4	R35,R38,R70,R131
78	78		13-03378-00	10.0	.25 W 1.0 % RN55C-F 5	1	R60
79	79		13-17303-00	301.0	.25 W 1.0 % RN55D-F10	2	R88,R98
80	80		13-04833-00	1.96 K	.25 W 1.0 % RN55D-F10	3	R40,R43,R213
81	81		13-04854-00	5.11 K	.25 W 1.0 % RN55D-F10	5	R106,R143,R152,R164,R168
82	82		13-04856-00	4.64 K	.25 W 1.0 % RN55D-F10	1	R77
83	83		13-04858-00	348.0	.25 W 1.0 % RN55D-F10	3	R29,R174,R194
84	84		13-04863-00	316.0	.25 W 1.0 % RN55D-F10	3	R27,R28,R140
85	85		13-04870-00	6.81 K	.25 W 1.0 % RN55D-F10	2	R117,R148
86	86		13-05108-00	1.47 K	.25 W 1.0 % RN55D-F10	8	R95,R108,R138,R145,R170,R183, CONT R189,R200
87	87		13-05122-00	51.10	.25 W 1.0 % RN55D-F10	1	R18
88	88		13-05123-00	215.0	.25 W 1.0 % RN55D-F10	3	R119,R127,R216
89	89		13-05124-00	287.0	.25 W 1.0 % RN55D-F10	3	R41,R250,R251
90	90		13-05125-00	383.0	.25 W 1.0 % RN55D-F10	2	R57,R186
91	91		13-18150-10	4.02 K	.25 W 1.0 % RN55D-F10	2	R54,R58
92	92		13-05128-00	5.62 K	.25 W 1.0 % RN55D-F10	3	R17,R33,R34
93	93		13-18150-12	8.06 K	.25 W 1.0 % RN55D-F10	1	R153
94	94		13-05143-00	825.0	.25 W 1.0 % RN55D-F10	1	R163
95	95		13-05145-00	2.80 K	.25 W 1.0 % RN55D-F10	4	R172,R180,R198,R201
96	96		13-05146-00	8.87 K	.25 W 1.0 % RN55D-F10	1	R137
97	97		13-05252-00	68.10 K	.25 W 1.0 % RN55D-F10	1	R14
98	98		13-05253-00	7.15 K	.25 W 1.0 % RN55D-F10	2	R90,R102
99	99		13-05324-00	4.99 K	.25 W 1.0 % RN55D-F10	1	R118
100	100		13-05374-00	910.0	.25 W 5.0 % CF	1	R107
101	101		13-05405-00	24.90 K	.25 W 1.0 % RN55D-F10	1	R10
102	102		13-05431-00	10.0 K	.25 W 0.1 % RN55E-B 2	2	R151,R156
103	103		13-09143-05	200.0	.75 W10.0 % POT	1	R30
104	104		13-09417-00	27.40 K	.25 W 1.0 % RN55D-F10	1	R1
105	105		13-10630-00	1.33 K	.25 W 1.0 % RN55D-F10	2	R111,R112
106	106		13-10634-00	2.67 K	.25 W 1.0 % RN55D-F10	1	R123
107	107		13-11594-00	30.10 K	.25 W 1.0 % RN55D-F10	1	R71
108	108		13-11653-00	2.15 K	.25 W 1.0 % RN55D-F10	5	R125,R179,R185,R192,R204
109	109		13-11845-00	487.0	.25 W 1.0 % RN55D-F10	3	R51,R208,R209
110	110		13-12480-00	1.54 K	.25 W 1.0 % RN55D-F10	1	R63
111	111		13-12546-00	16.50 K	.25 W 1.0 % RN55D-F10	1	R9
112	112		13-12930-00	5.10 K	.25 W 5.0 % CF	1	R147
113	113		13-13153-00	28.0 K	.25 W 1.0 % RN55D-F10	1	R7
114	114		13-13341-00	5.36 K	.25 W 1.0 % RN55D-F10	2	R101,R124
115	115		13-13590-00	1.50 K	.25 W 1.0 % RN55D-F10	2	R67,R69
116	116		13-13591-00	1.65 K	.25 W 1.0 % RN55D-F10	2	R161,R217
117	117		13-13592-00	4.87 K	.25 W 1.0 % RN55D-F10	2	R103,R114
118	118		13-13593-00	11.80 K	.25 W 1.0 % RN55D-F10	1	R16
119	119		13-13596-00	20.0 K	.25 W 1.0 % RN55D-F10	2	R44,R47
120	120		13-13840-00	4.53 K	.25 W 1.0 % RN55D-F10	1	R144

D I G I T A L				TITLE	SECTION A OF A	SIZE	CODE	DOCUMENT NUMBER	REV
				READ/WRITE		K	PL	5415253-0-DBPC	B

PARTS LIST

LINE	ITEM	TOP DOCUMENT	PART NUMBER	MIN REV	DESCRIPTION	QTY PER VAR/REV	REFERENCE DESIGNATORS
						00 H1	
121	121		13-14041-00		3.01 K .25 W 1.0 % RN55D-F10	2	R76,R83
122	122		13-14042-00		102.0 .25 W 1.0 % RN55D-F10	2	R133,R167
123	123		13-14954-00		430.0 .50 W 5.0 % CF	2	R202,R203
124	124		13-15096-00		1.87 K .25 W 1.0 % RN55D-F10	1	R78
125	125		13-16254-00		R NETWORK 7-470 2.0 % 8PIN	3	E15,E30,E35
126	126		13-16254-01		R NETWORK 7-4.7K 2.0 % 8PIN	7	E1,E7-E9,E20,E21,E29
127	127		13-19471-01		10.0 2.0 W 5.0 % M.OXIDE	2	R2,R15
128	128		13-16836-00		402.0 .25 W 1.0 % RN55D-F10	2	R166,R171
129	129		13-16837-00		412.0 .25 W 1.0 % RN55D-F10	1	R39
130	130		13-16842-00		6.34 K .25 W 1.0 % RN55D-F10	1	R13
131	131		13-16845-00		3.30 .50 W 5.0 % CF	1	R20
132	132		13-19471-02		15.0 2.0 W 5.0 % M.OXIDE	2	R3,R21
133	133		13-17398-00		4.22 K .25 W 1.0 % RN55D-F10	1	R132
134	134		13-18150-02		475.0 .25 W 1.0 % RN55D-F10	1	R116
135	135		13-18532-03		R NETWORK 4-3K 2.0 % 8PIN	1	E45
136	136		13-18532-05		R NETWORK 4-10K 2.0 % 8PIN	2	E23,E34
137	137		13-18532-08		R NETWORK 4-15K 2.0 % 8PIN	1	E58
138	138		13-19169-01		200.0 .25 W 1.0 % RN55D-F10	1	R177
139	139		15-01881-00		DEC2219 NPN 3WC SI 30100	2	Q8,Q12
140	140		15-09524-00		2N 3904 NPN 310MW SI 40 40 M	22	Q7,Q10,Q13,Q14,Q16-Q33
141	141		15-09525-00		2N 3906 PNP 310MW SI 40100 Y	6	Q5,Q6,Q9,Q11,Q15,Q34
142	142		16-02472-00		4.7 UH #1025-36	2	L5,L6
143	143		16-12946-04		6.8 UH 10% Q MIN=52@7.9MHZ	2	L4,L7
144	144		16-12946-06		8.2 UH 2% Q MIN=55@7.9MHZ	2	L2,L3
145	145		16-12946-07		220 UH 10% Q MIN=26@7.9MHZ	1	L1
146	146		16-18545-03		DELAY= 80NS,10TAPS 14PIN DIP	1	E53
147	147		16-19049-01		DELAY= 40NS,10TAPS	1	E41
148	148		19-09929-00		7417 BUFFER GATE-HEX 1INP	1	E19
149	149		19-19580-01		LS145 DECODER,BCD/DECIMAL	1	E6
150	150		19-10322-00	DEC	1488L DRIVER,LINE,QUAD,EIA	3	E33,E36,E50
151	151		19-10436-00	DEC	74123 ONE SHOT-DUAL,RETRIG	2	E3,E12
152	152		19-10644-00		733 DIFFERENTIAL AMP,WID	2	E55,E57
153	153		19-10735-02		318 OP AMP	2	E43,E45
154	154		19-10741-00		7406 INVERTER GATE-HEX 1I	1	E25
155	155		19-11143-00	DEC	201A OP AMP	2	E42,E51
156	156		19-11414-00		10124 TTL TO ECL TRNSLTR	1	E10
157	157		19-11416-00		10131 FF, DUAL D MSTR/SLAV	2	E31,E47
158	158		19-11944-00		555CN TIMER,FUNCT,BLOCK	1	E18
159	159		19-12108-B0		339 BURNED-IN VOLT CMPRT	1	E37
160	160		19-12792-01		7915CKVOLT REG,FIX -15V	1	Q1
161	161		19-12799-B0		LS00 BURNED-IN NAND GATE-	2	E11,E14
162	162		19-12801-00		LS02 NOR-GATE-QUAD 2IN	1	E13
163	163		19-12803-00		LS04 INVERTER GATE,HEX	1	E16
164	164		19-12824-00		LS74 FF-D DUAL,EDGE TRIGG	1	E4
165	165		19-12829-00		LS86 X-OR GATE-QUAD 2IN	1	E2
166	166		19-13017-00		3046 XSISTOR ARRAY,3 ISOL	3	E44,E49,E56
167	167		19-14140-00	LM	311N VOLT CMPRTR	4	E17,E22,E24,E28
168	168		19-14473-00	DEC	7815 VOLT REG,FIX +15V	1	Q2
169	169		19-14485-01	TL	084ACNOP AMP,QUAD JFET	2	E39,E52
170	170		19-15186-00	AM	687DL VOLT.COMPARATOR,DUA	2	E32,E40

DIGITAL				TITLE	SECTION A OF A	SIZE	CODE	DOCUMENT NUMBER	REV
				READ/WRITE		K	PL	5415253-0-DBPC	B

AUTOMATED BY VAXKPL (V1.1)

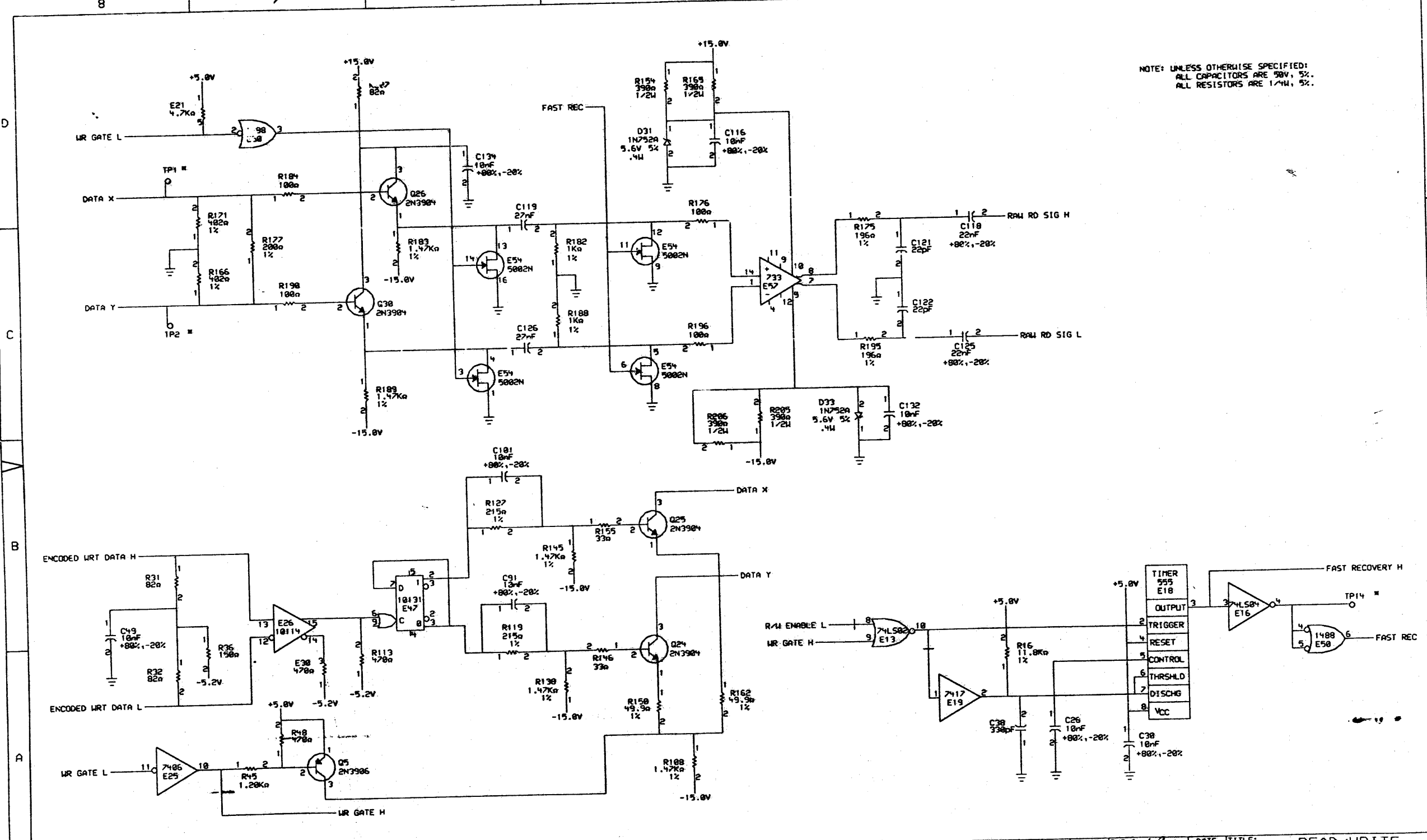
PARTS LIST

SHEET A5 OF A5

LINE ITEM	TOP DOCUMENT	PART NUMBER	MIN REV	DESCRIPTION	QTY PER VAR/REV 00 H1	REFERENCE DESIGNATORS
171	171	19-16244-01		317 VOLT REG,VAR 1/37V	1	Q4
172	172	19-16543-00		7806 VOLT REG,FIX +6V	1	Q3
173	173	19-16574-00		10114 RECEIVER,LINE,TRIPLE	1	E26
174	174	21-18743-00		5002N FET ANALOG SW,QUAD D	3	E38,E48,E54
175	175	90-06010-01		SCREW,MACH PAN PHIL 4-	2	
176	176	90-06024-01		SCREW,MACH PAN PHIL 6-	4	
177	177	90-06557-00		NUT,HEX EXT TOOTH LCKWSHR 4-40	2	
178	178	90-06560-00		NUT,HEX EXT TOOTH LCKWSHR 6-32	4	
179	179	90-06655-00		WASHER,FLAT SST	2	
180	180	90-06659-00		WASHER,FLAT S/PAS	4	
181	181	90-09217-00		*** THIS ITEM IS NOT USED ***	-	
182	182	90-07254-00		TRANSIPADS #10146	1	
183	183	91-05740-55		WIRE(WRAP) 30AWG KYNAR UL14	A/R	
184	184	90-07035-00		GROMMET,CATERPILLAR POLYAMIDE	A/R	
185	185	13-17404-00		249.0 .25 W 1.0 % RN55D-F10	2	R97,R109
186	186	13-05121-00		38.30 .25 W 1.0 % RN55D-F10	1	R64
187	187	13-00309-00		390.0 .25 W 5.0 % CF	1	R210
188	188	13-04839-00		51.0 K .25 W 5.0 % CF	1	R211
189	189			*** THIS ITEM IS NOT USED ***	-	

D	I	G	I	T	A	L	TITLE	SECTION A OF A	SIZE	CODE	DOCUMENT NUMBER	REV
							READ/WRITE		K	PL	5415253-0-DBPC	B

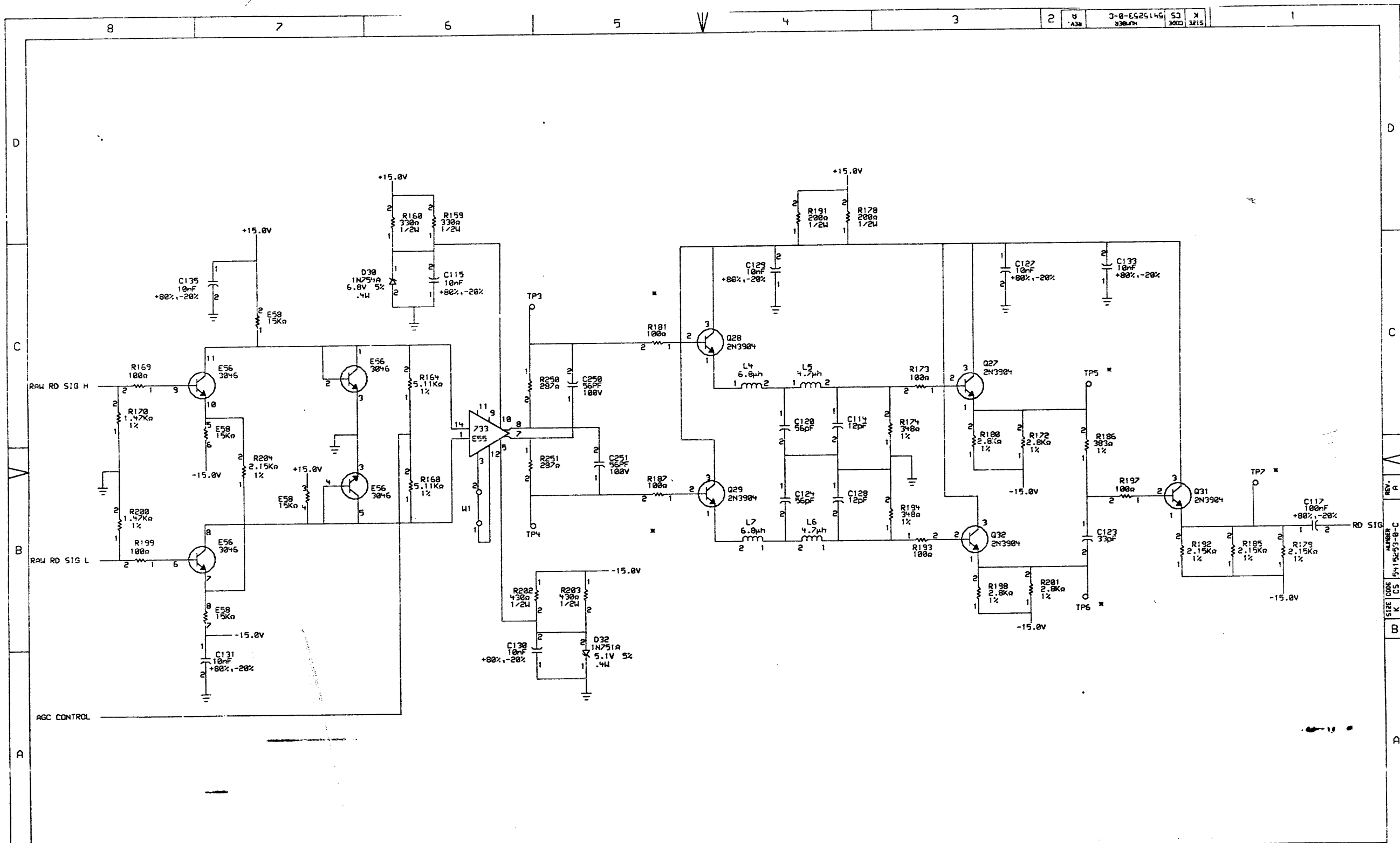
NOTE: UNLESS OTHERWISE SPECIFIED:
 ALL CAPACITORS ARE 50V, 5%.
 ALL RESISTORS ARE 1/4W, 5%.



THIS DRAWING AND SPECIFICATIONS ARE THE PROPERTY OF DIGITAL EQUIPMENT CORPORATION AND SHALL NOT BE REPRODUCED OR COPIED FOR USE IN WHOLE OR IN PART AS A BASIS FOR THE MANUFACTURE OR SALE OF ITEMS WITHOUT WRITTEN PERMISSION. COPYRIGHT © 1989, DIGITAL EQUIPMENT CORPORATION.

CHK	CHANGE NO.	REV
		A

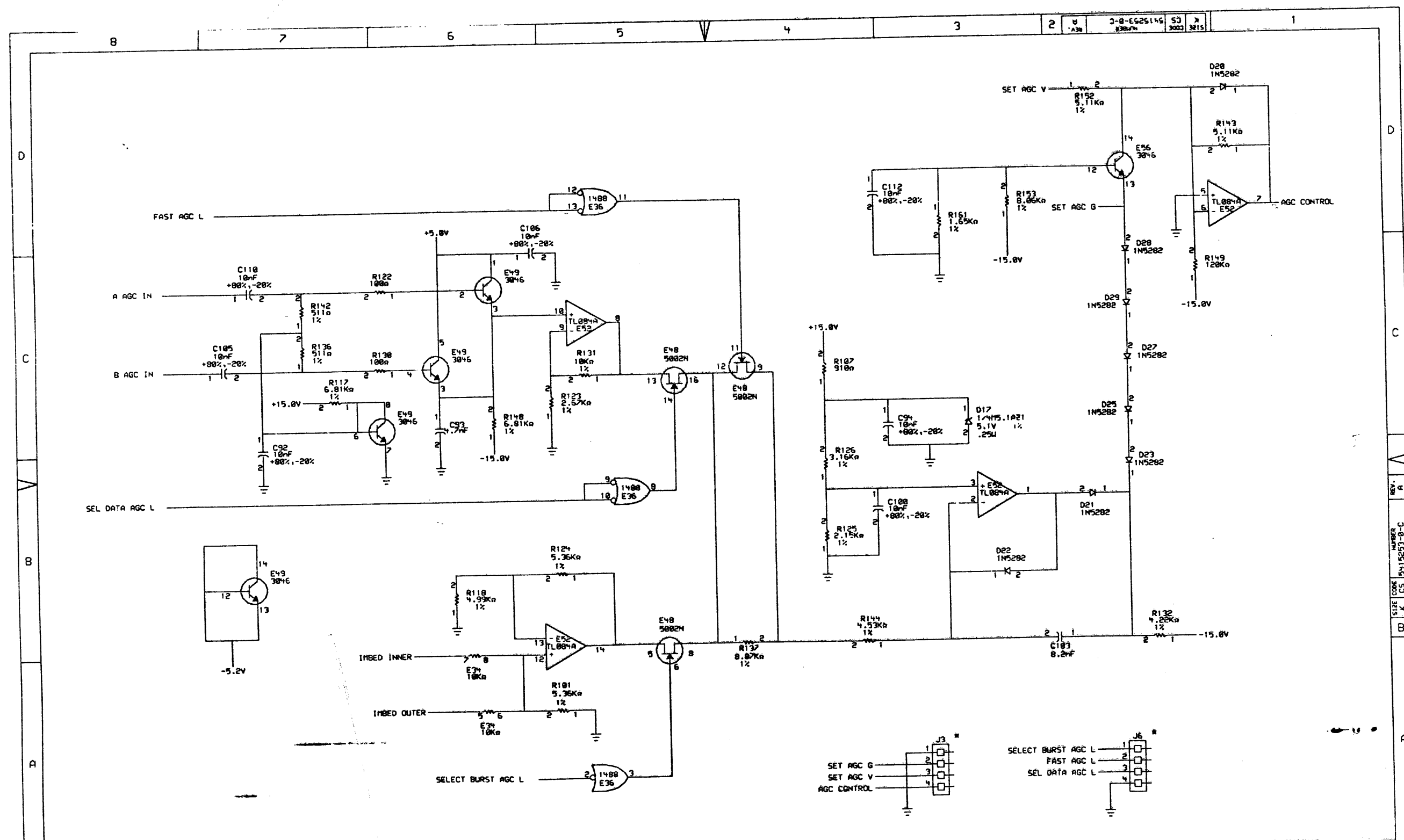
digital	DAN SCHNEIDER	DATE	ENG	DATE	TITLE:
		16-DEC-89	ESL	12-11-89	READ/WRITE
SOPY: (SCHNEIDER) 115-DEC-89 11:53		DATE	BOARD LOCATION:		
FIRST USED ON OPTION/MODE: RAB1		DATE	SHEET	OF	
SIZE	CODE	NUMBER	REV.		
K	CS	5415253-0-C	A		



THIS DRAWING AND SPECIFICATIONS
HEREIN ARE THE PROPERTY OF
DIGITAL EQUIPMENT CORPORATION AND
SHALL NOT BE REPRODUCED OR COPIED
OR USED IN WHOLE OR IN PART AS
THE BASIS FOR THE MANUFACTURE OR
SALE OF ITEMS WITHOUT WRITTEN
PERMISSION. COPYRIGHT © 1985,
DIGITAL EQUIPMENT CORPORATION.

REVISIONS		
CHK	CHANGE NO.	REV

	DRN. G. SCHNEIDER	DATE 16-DEC-85	ENG.	DATE	TITLE: READ/WRITE
	CHK'D.	DATE	BOARD LOCATION:	SHEET 2 OF 14	
SOA: <SCHNEIDER>RNIC2.DRW 116-DEC-85 11:54 NEXT HIGHER ASSEMBLY:			SIZE K	CODE CS	NUMBER 5415253-0-C
FIRST USED ON OPTION/MODEL: RA81					REV. A



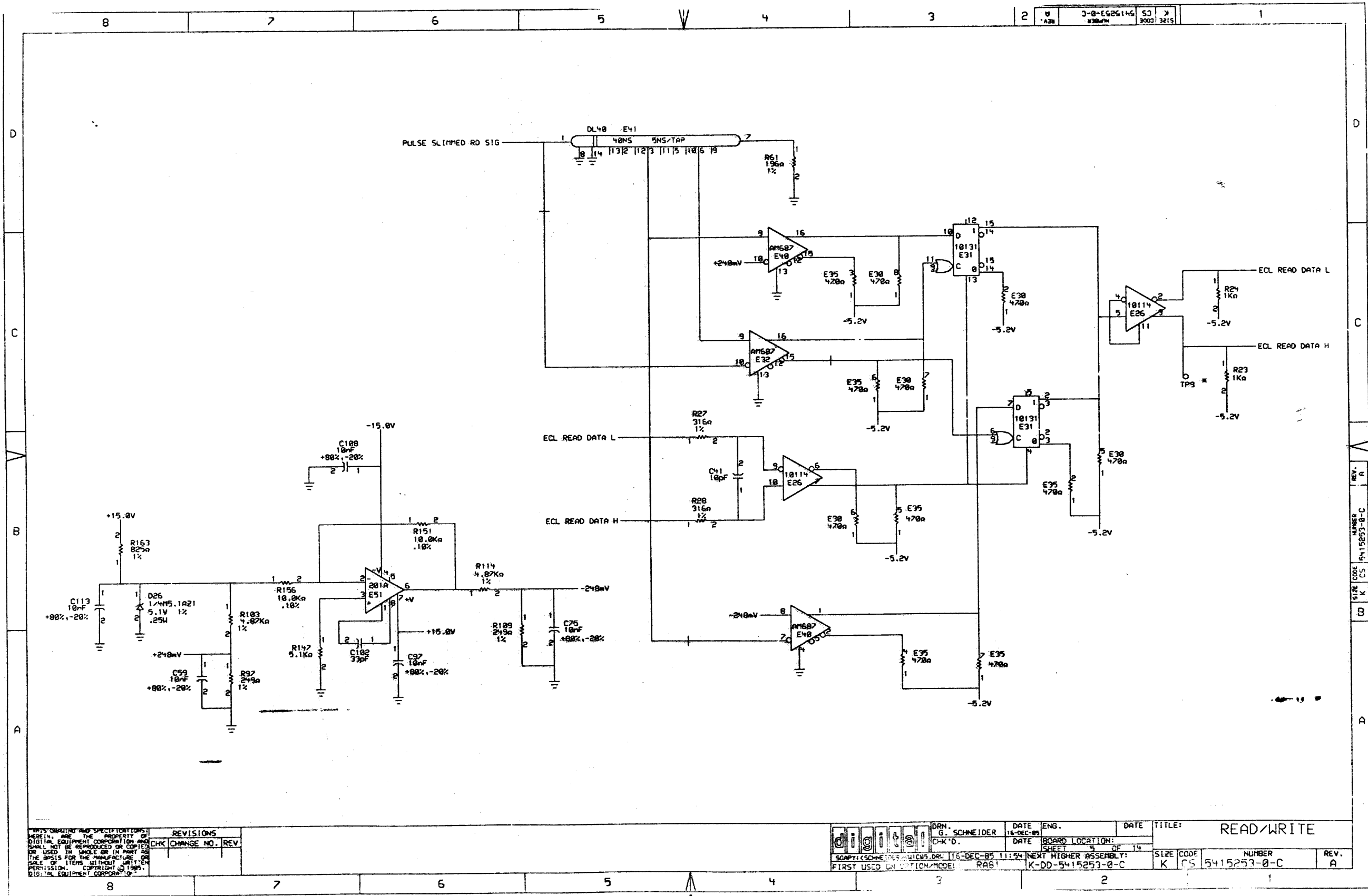
THIS DRAWING AND SPECIFICATIONS, HEREIN, ARE THE PROPERTY OF DIGITAL EQUIPMENT CORPORATION AND SHALL NOT BE REPRODUCED OR COPIED OR USED IN WHOLE OR IN PART AS THE BASIS FOR THE MANUFACTURE OF ANY ITEM WITHOUT WRITTEN PERMISSION. © 1975, DIGITAL EQUIPMENT CORPORATION.

REV.	CHANGE NO.	REV.

REV.	CHANGE NO.	REV.

	DRN. G. SCHNEIDER	DATE 16-DEC-83	ENG.	DATE	TITLE: READ/WRITE
	CHK'D.	DATE	BOARD LOCATION:	SHEET 3 OF 14	SIZE CODE K CS
FIRST USED ON OPTION/MODEL RAB1	NEW HIGHER ASSEMBLY: K-DD-5415253-0-C	NUMBER 5415253-0-C	REV. A		

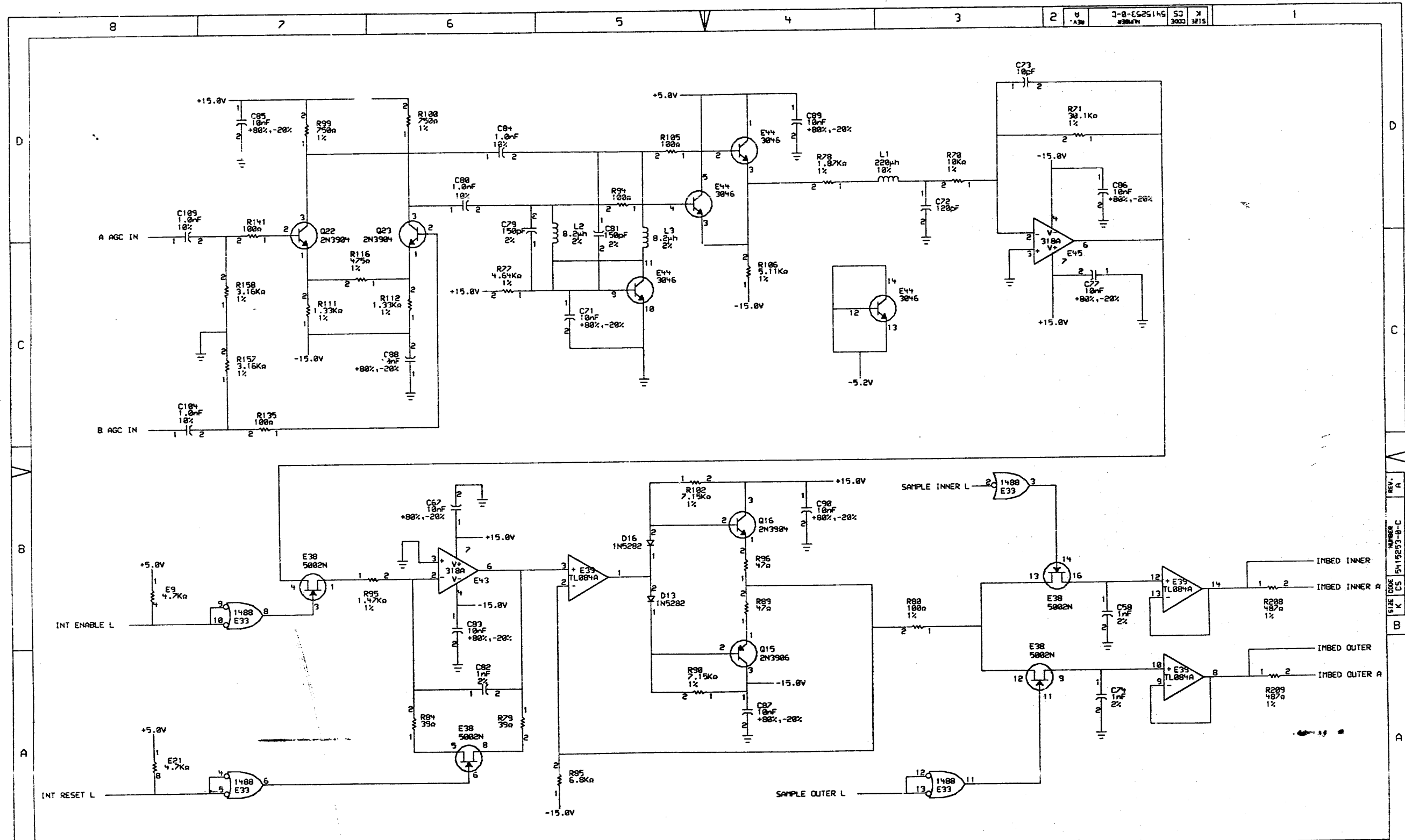
REV. A
NUMBER 5415253-0-C
SIZE CODE K CS



ALL DIMENSIONS AND SPECIFICATIONS ARE THE PROPERTY OF DIGITAL EQUIPMENT CORPORATION AND SHALL NOT BE REPRODUCED OR COPIED OR USED IN WHOLE OR IN PART AS THE BASIS FOR THE MANUFACTURE OR SALE OF ITEMS, WITHOUT WRITTEN PERMISSION. COPYRIGHT © 1989, DIGITAL EQUIPMENT CORPORATION.

REVISIONS	
CHK	CHANGE NO. REV

	DRN. G. SCHNEIDER	DATE 16-DEC-89	ENG.	DATE	TITLE: READ/WRITE
	CHK'D.	DATE	BOARD LOCATION:	SHEET 5 OF 14	
SCAPY1:SCHEMATIC:ORL:116-DEC-89 11:54 FIRST USED ON OPTION/MODEL: RAB1	NEXT HIGHER ASSEMBLY: K-DD-5415253-0-C	SIZE CODE K 05	NUMBER 5415253-0-C	REV. A	



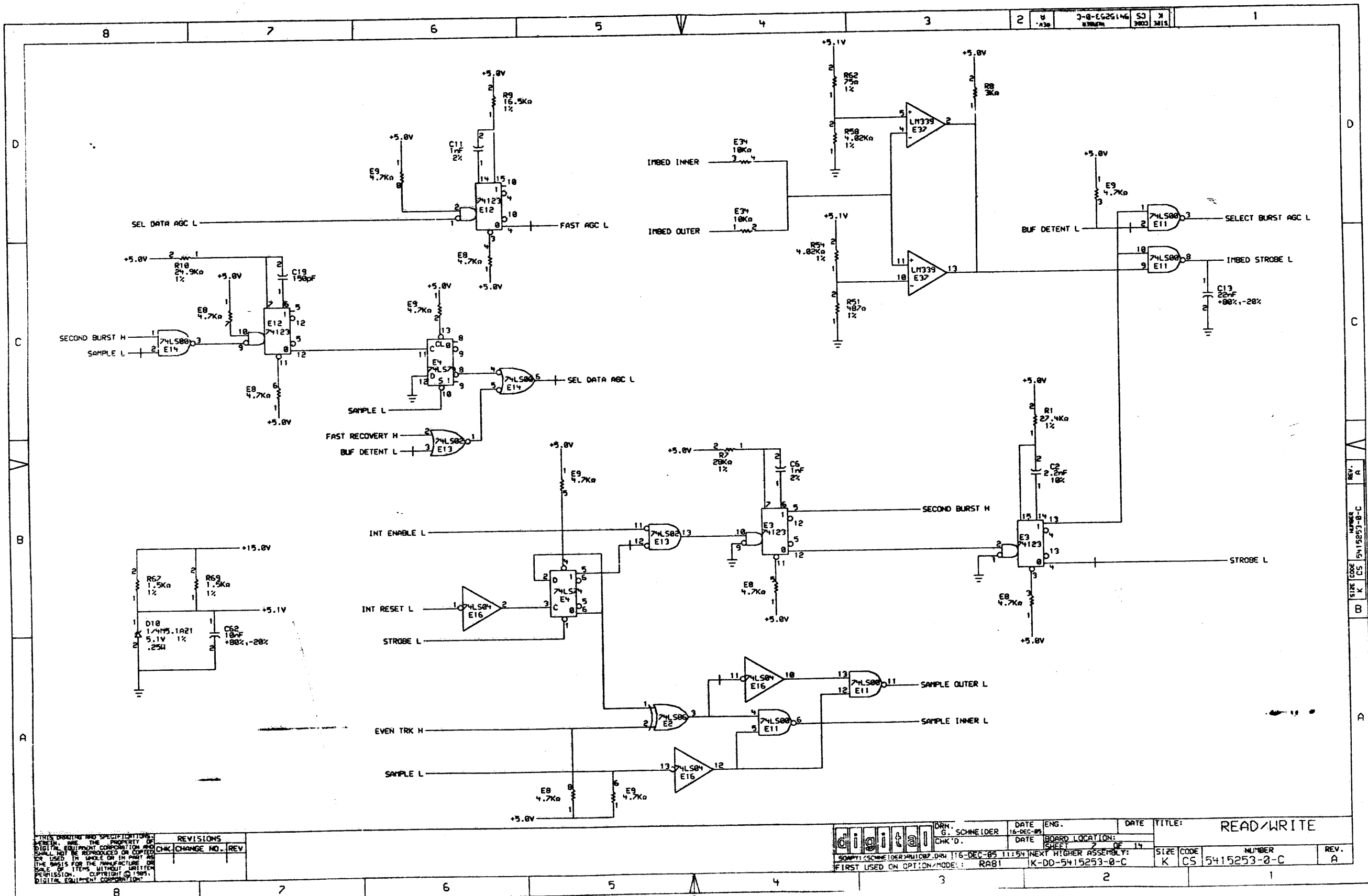
THIS DRAWING AND SPECIFICATIONS, HEREIN, ARE THE PROPERTY OF DIGITAL EQUIPMENT CORPORATION AND SHALL NOT BE REPRODUCED OR COPIED OR USED IN WHOLE OR IN PART OR THE BASIS FOR THE MANUFACTURE OR SALE OF ITEMS WITHOUT WRITTEN PERMISSION. COPYRIGHT © 1965, DIGITAL EQUIPMENT CORPORATION.

REV.	CHK	CHANGE NO.	REV

REV.	DATE	ENG.	DATE	TITLE

	DRN. G. SCHNEIDER	DATE 16-DEC-65	ENG.	DATE	TITLE
	CHK'D.				
BOARD LOCATION:		SHEET 6 OF 14		SIZE	CODE
FIRST USED ON OPTION/MODEL: RAG1		NEXT HIGHER ASSEMBLY: K-DD-5415253-0-C		NUMBER	REV.
K CS 5415253-0-C		K CS 5415253-0-C			A

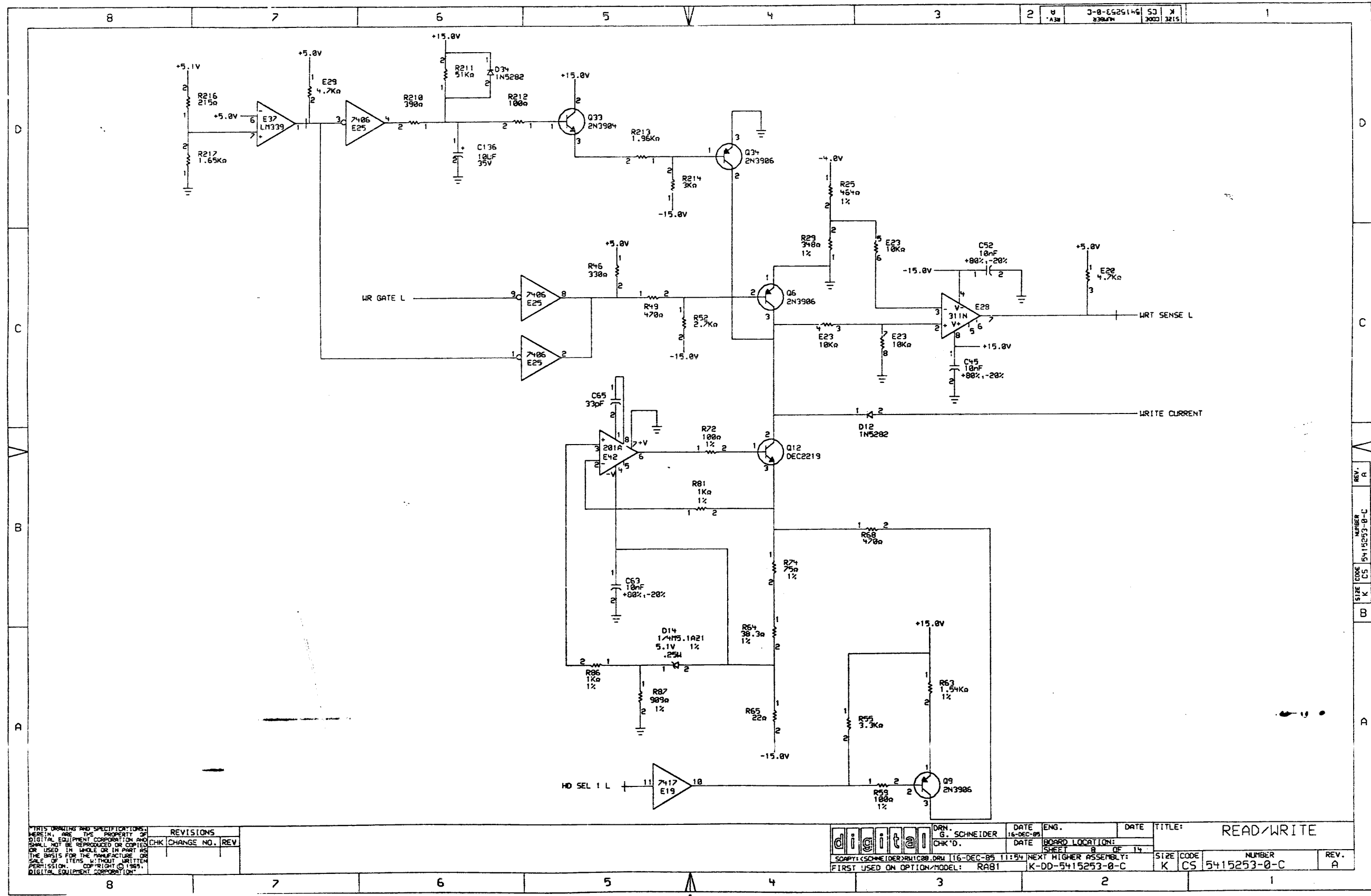
REV. A
 PART NUMBER 5415253-0-C
 SIZE CODE CS
 BOARD LOCATION
 SHEET 6 OF 14
 TITLE
 NUMBER
 REV.



THIS DRAWING AND SPECIFICATIONS ARE THE PROPERTY OF DIGITAL EQUIPMENT CORPORATION AND SHALL NOT BE REPRODUCED OR COPIED IN ANY MANNER OR IN ANY MEDIUM WITHOUT THE WRITTEN PERMISSION OF DIGITAL EQUIPMENT CORPORATION.

REV.	NO.	DATE	BY	CHK.	CHANGE NO.
A	1				

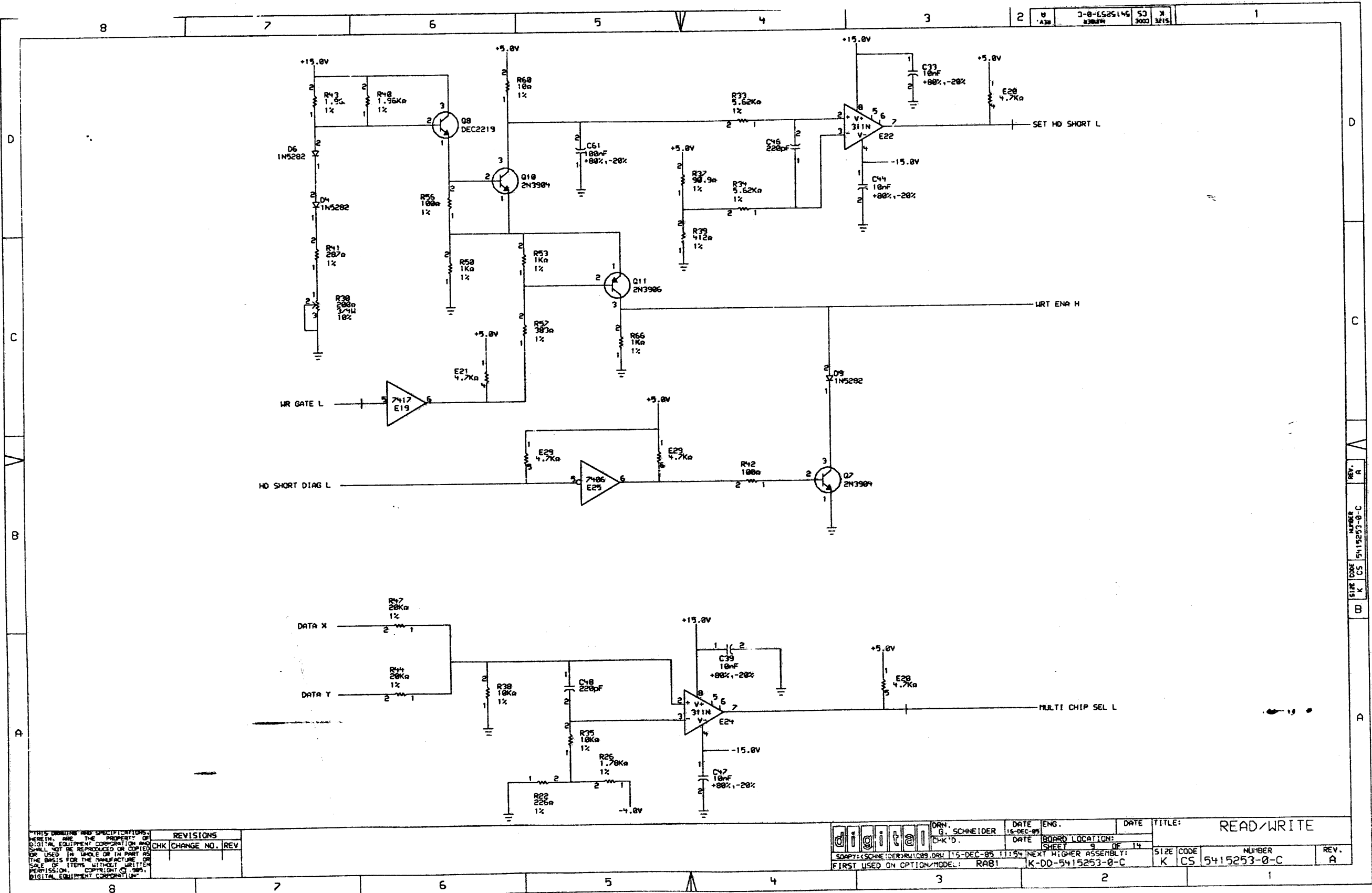
DRN. G. SCHNEIDER	DATE 16-DEC-85	ENG.	DATE	TITLE: READ/WRITE
CHK'D.	DATE	BOARD LOCATION:	SHEET 2 OF 14	
50MPLSCHNEIDERMANIC02.DWG 116-DEC-85 11:54 NEXT HIGHER ASSEMBLY:				SIZE CODE K CS
FIRST USED ON OPTION/MODEL: RAB1				NUMBER 5415253-0-C
				REV. A



THIS DRAWING AND SPECIFICATIONS
HEREIN ARE THE PROPERTY OF
DIGITAL EQUIPMENT CORPORATION AND
SHALL NOT BE REPRODUCED OR COPIED
OR USED IN WHOLE OR IN PART AS
THE BASIS FOR THE MANUFACTURE OR
SALE OF ITEMS WITHOUT WRITTEN
PERMISSION. COPYRIGHT © 1984,
DIGITAL EQUIPMENT CORPORATION.

REVISIONS	
CHK	CHANGE NO. REV

	DRN. G. SCHNEIDER	DATE 16-DEC-85	ENG.	DATE	TITLE: READ/WRITE
	CHK'D.	DATE	BOARD LOCATION:	SHEET 8 OF 14	
SCAPT: SCHNEIDER/DK/CB DRW 16-DEC-85 11:54 FIRST USED ON OPTION MODEL: RAB1		NEXT HIGHER ASSEMBLY: K-DD-5415253-0-C		SIZE CODE K CS	NUMBER 5415253-0-C
					REV. A

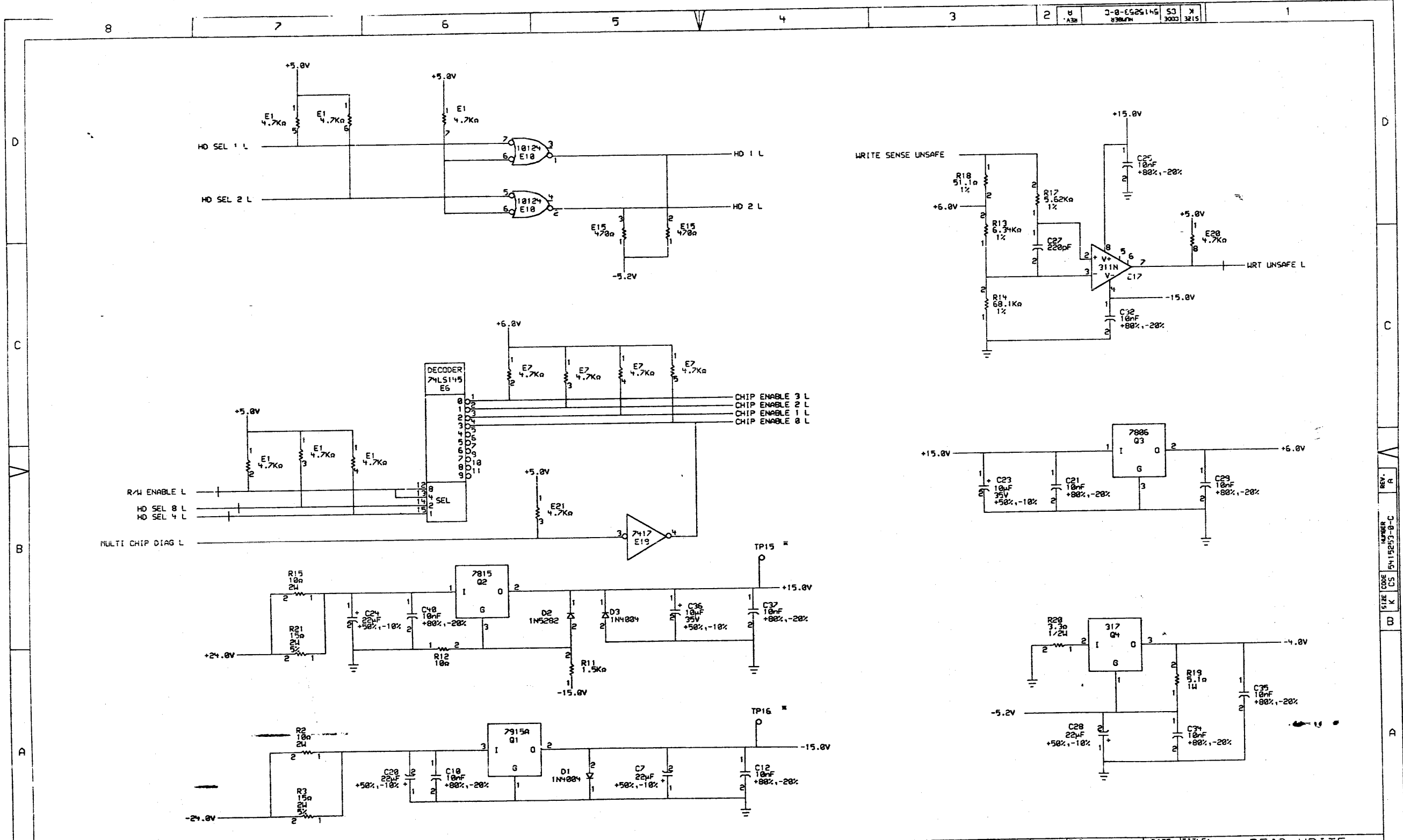


THIS DRAWING AND SPECIFICATIONS HERENTIN ARE THE PROPERTY OF DIGITAL EQUIPMENT CORPORATION AND SHALL NOT BE REPRODUCED OR COPIED OR USED IN WHOLE OR IN PART AS THE BASIS FOR THE MANUFACTURE OR SALE OF ITEMS WITHOUT WRITTEN PERMISSION. COPYRIGHT © 1985, DIGITAL EQUIPMENT CORPORATION.

REVISIONS	
CHK	CHANGE NO. REV

digital	DRN. G. SCHNEIDER	DATE 15-DEC-85	ENG.	DATE	TITLE: READ/WRITE
	CHK'D.	DATE	BOARD LOCATION:		
SHEET 9 OF 14		NEXT HIGHER ASSEMBLY:		SIZE CODE K CS	NUMBER 5415253-0-C
FIRST USED ON OPTION/MODEL: RAB1		K-DO-5415253-0-C		REV. A	

REV. A
 NUMBER 5415253-0-C
 CS
 K



THIS DRAWING AND SPECIFICATIONS ARE THE PROPERTY OF DIGITAL EQUIPMENT CORPORATION AND SHALL NOT BE REPRODUCED OR COPIED OR USED IN WHOLE OR IN PART AS THE BASIS FOR THE MANUFACTURE OR SALE OF ITEMS WITHOUT WRITTEN PERMISSION. COPYRIGHT © 1989, DIGITAL EQUIPMENT CORPORATION.

REVISIONS	
CHK	CHANGE NO. / REV

	DRN. G. SCHNEIDER	DATE 16-DEC-89	ENG.	DATE	TITLE: READ/WRITE
	CHK'D.	DATE	BOARD LOCATION:	SHEET 10 OF 14	SIZE CODE K CS
FIRST USED ON OPTION/MODEL: RAB1			NEXT HIGHER ASSEMBLY: K-DD-5415253-0-C		NUMBER 5415253-0-C
					REV. A

REV. A
NUMBER 5415253-0-C
SIZE CODE K CS